



CITY JIFEE - CONVERTIBLE MULTI RIDER **CANOPY - Instruction Manual**



Scan the QR code to register your product
<https://dreamonme.com/customercare/registration/>



Suitable only on City Jifee™

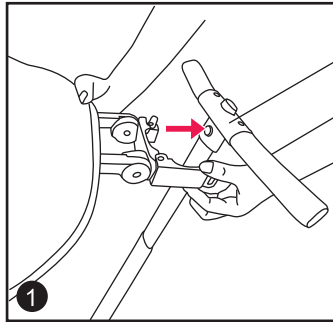
IMPORTANT

BEFORE ASSEMBLING THIS CANOPY, PLEASE READ AND UNDERSTAND THESE INSTRUCTIONS. INCORRECT ASSEMBLY MAY CAUSE TO BE UNSAFE. DO NOT USE THIS CANOPY IF ANY PARTS ARE BROKEN, TORN OR MISSING.

RETAIN FOR FUTURE REFERENCE - READ CAREFULLY

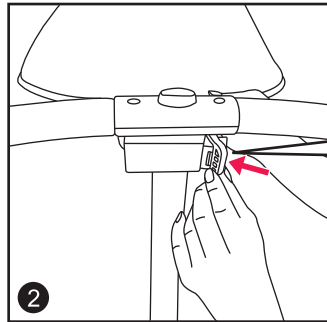
1.ASSEMBLY

1. Attach the holder to the handle bar connector (the cylinder on the handle bar should be aligned with the hole in the bracket (as shown in Fig1).



Handle connector

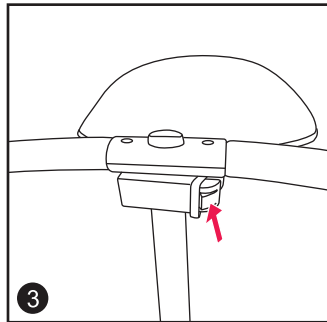
2. Firmly fasten the fixing buckle to the left until completely ejected (as shown in Fig2).



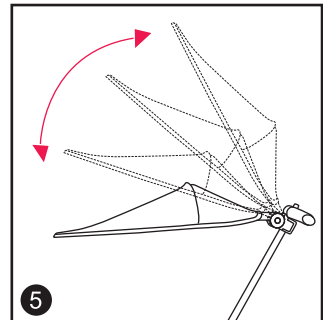
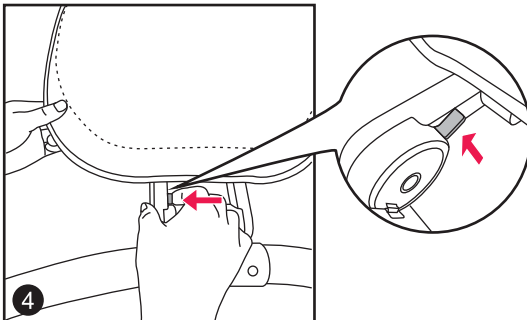
buckle

Try to shake and do not fall off to indicate that it is in place.

3. When disassembling the canopy, press the plastic and lift the fixing buckle toward the side (as shown in Fig3).



4. Press the height adjustment iron on the fixed seat to adjust the canopy to different heights (as shown in Fig4 and 5).





1532, S. Washington Avenue
Piscataway, NJ 08854
E-mail: info@dreamonme.com

www.dreamonme.com

Follow us on



[@dreamonmeinc](https://www.facebook.com/dreamonmeinc)



[@dreamonmeinc](https://www.instagram.com/dreamonmeinc)

to get your nursery featured on our social media.

Enter our monthly giveaway!

Simply scan the QRcode to register.



Chat with us!

For any questions or concerns or feedback.



DOM
FAMILY

