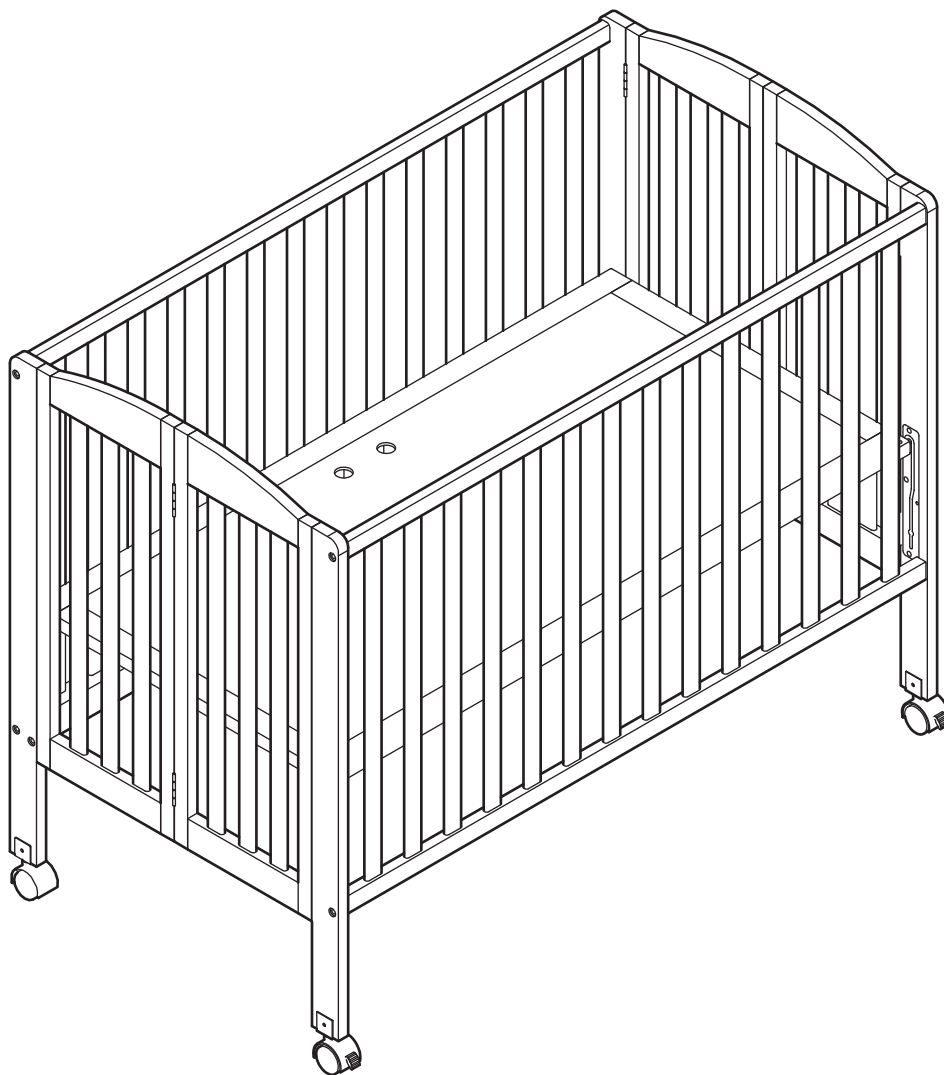


FOLDING FULL SIZE CRIB

Owner's Manual



Scan the QR code to register your product
<https://dreamonme.com/customer-care/registration/>



Read all instructions before
assembling and using product.
IMPORTANT - Keep instructions for
future use.



0322R1-673

SAFETY TIPS



Adult Assembly
Required.



Small parts may
present choking
hazard prior to
assembly.



DO NOT use the
product if it is
damaged, broken,
and/or components are
missing or broken.



Please read the
instructions
thoroughly. Identify all
parts & hardware.



Do Not Use Power
Drills or Drivers.



To protect your parts
during assembly,
please place them on a
soft surface.



For a Safe and
comfortable Sleep
experience, we
suggest using Dream
On Me Greenguard
Gold Certified
Full-Size Mattress.



To clean surface, use
only water on a damp
cloth. Do not use
window cleaner or
cleaning abrasive as it
will scratch the surface
and could damage the
protective coating.



Contact Dream On
Me in case of any
assistance needed.

THANK YOU...

.... for choosing **Dream On Me** and congratulations on joining our family; a family that has been transforming lives for over 30+ years!

We appreciate your feedback and wish you the very best in the coming years with your new addition. If you have any questions or concerns please don't hesitate to reach out to us. One of our trusted Customer Care representatives will be happy to assist you.

Thank you again for entrusting us to provide you with safe and affordable baby products and accessories.

LIMITED WARRANTY:

- Dream On Me warrants its product to be free from defects in material and workmanship and agrees to remedy any such defect.
- This warranty covers 1 year from the date of original purchase.
- This warranty is valid only upon presentation of proof of purchase.
- This is solely limited to the repair or replacement of defective furniture components and no assembly labor is included.
- This warranty does not apply to any product which has been improperly assembled, subjected to misuse or abuse or which has been altered or repaired in any way.
- This warranty gives you specific legal rights and you may also have other rights which vary from State to State.

WARNINGS

- FAILURE TO FOLLOW THESE WARNINGS AND ASSEMBLY INSTRUCTIONS COULD RESULT IN SERIOUS INJURY OR DEATH.
- TO REDUCE THE RISK OF SIDS(SUDDEN INFANT DEATH SYNDROME), PEDIATRICIANS RECOMMEND HEALTHY INFANTS BE PLACED ON THEIR BACKS TO SLEEP, UNLESS OTHERWISE ADVISED BY YOUR PHYSICIAN.
- CHECK THIS PRODUCT FOR DAMAGED HARDWARE, LOOSE JOINTS, MISSING PARTS OR SHARP EDGES BEFORE AND AFTER ASSEMBLY AND FREQUENTLY DURING USE.
- **DO NOT** USE THIS CRIB IF ANY PARTS ARE MISSING, DAMAGED OR BROKEN. CONTACT **DREAM ON ME - 1532 S. WASHINGTON AVE, PISCATAWAY, NJ 08854** FOR REPLACEMENT PARTS.
- **DO NOT** USE A WATER MATTRESS WITH THIS CRIB.
- IF REFINISHING, USE A NON-TOXIC FINISH SPECIFIED FOR CHILDREN'S PRODUCTS.

STRANGULATION HAZARD:

- STRINGS CAUSE STRANGULATION! DO NOT PLACE ITEMS WITH A STRING AROUND A CHILD'S NECK, SUCH AS HOOD STRINGS OR PACIFIER CORDS. **DO NOT** SUSPEND STRINGS OVER A CRIB OR ATTACH STRINGS TO TOYS.
- TO HELP PREVENT STRANGULATION TIGHTEN ALL FASTENERS. A CHILD CAN TRAP PARTS OF BODY OR CLOTHING ON LOOSE FASTENERS.
- **DO NOT** PLACE CRIB NEAR WINDOW WHERE CORDS FROM BLINDS OR DRAPES MAY STRANGLE A CHILD.
- INFANTS CAN SUFFOCATE ON SOFT BEDDING.
- NEVER ADD A PILLOW, COMFORTER OR PADDING.
- NEVER PLACE ADDITIONAL PADDING UNDER INFANT.
- NEVER USE PLASTIC SHIPPING BAGS OR ANY PLASTIC FILM AS MATTRESS COVERS, BECAUSE THEY CAN CAUSE SUFFOCATION.
- INFANTS CAN SUFFOCATE IN GAPS BETWEEN CRIB SIDES AND A MATTRESS THAT IS TOO SMALL. **ANY MATTRESS USED IN THIS CRIB MUST BE AT LEAST 27-1/4 IN (69 CM) BY 51-5/8 IN (131 CM), WITH A THICKNESS NOT EXCEEDING 6 IN (15CM) AND A MINIMUM THICKNESS OF 4 IN (10 CM).** THE DIMENSIONS OF THE MATTRESS SHALL BE TAKEN FROM SEAM TO SEAM OR EDGE TO EDGE WHERE APPROPRIATE.

FALL HAZARD:

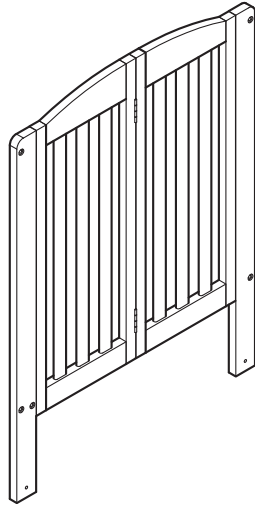
- WHEN CHILD IS ABLE TO PULL TO STANDING POSITION, SET MATTRESS TO LOWEST POSITION AND REMOVE BUMPER PADS, LARGE TOYS AND OTHER OBJECTS THAT COULD SERVE AS STEPS FOR CLIMBING OUT. AFTER RAISING SIDE, MAKE SURE LATCHES ARE SECURE (*DISREGARD FOR NON-DROP SIDE CRIB*).
- **DO NOT** LEAVE CHILD IN CRIB WITH SIDES LOWERED. BE SURE SIDE IS IN RAISED AND LOCKED POSITION WHENEVER CHILD IS IN CRIB (*DISREGARD FOR NON-DROP SIDE CRIB*).
- STOP USING CRIB WHEN CHILD BEGINS TO CLIMB OUT OR REACHES THE HEIGHT OF 35 IN (89 CM).
- WHEN STORING CRIB USE CAUTION AS EXTREME CHANGES IN TEMPERATURE OR HUMIDITY CAN COMPROMISE THE CRIB MAKING IT EXTREMELY DANGEROUS TO YOUR CHILD.
- USE CAUTION WHEN A VAPORIZER OR HUMIDIFIER IS IN USE. ALWAYS AIM VAPOR AWAY FROM THE CRIB AS WELL AS ANY OTHER WOODEN FURNITURE. PROLONGED PERIODS OF HUMIDITY IN STORAGE AS WELL AS IN THE HOME CAN COMPROMISE THE CRIB.
- AVOID USING VAPORIZERS AND HUMIDIFIERS FOR PROLONGED PERIODS OF TIME.
- FOLLOW WARNINGS ON ALL PRODUCTS IN CRIB.

WARNING

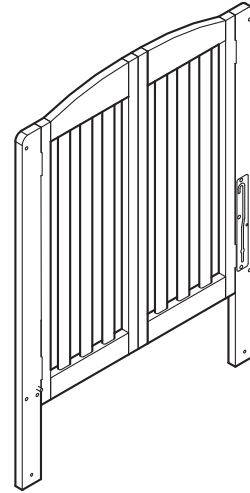
- DO NOT USE THIS CRIB IF YOU CANNOT EXACTLY FOLLOW THE ACCOMPANYING INSTRUCTIONS.
- DO NOT USE THIS CRIB FOR A CHILD WHO CAN CLIMB OUT OF IT OR WHO IS TALLER THAN 90 CM.
- DO NOT PLACE IN OR NEAR THIS CRIB ANY CORD, STRAP OR SIMILAR ITEM THAT COULD BECOME WRAPPED AROUND A CHILD'S NECK.
- DO NOT PLACE THIS CRIB NEAR A WINDOW OR A PATIO DOOR WHERE THE CHILD COULD REACH THE CORD OF A BLIND OR CURTAIN AND BE STRANGLER.
- CHECK THIS CRIB REGULARLY BEFORE USING IT AND DO NOT USE IT IF ANY PARTS ARE LOOSE OR MISSING OR IF THERE ARE ANY SIGNS OF DAMAGE. DO NOT SUBSTITUTE PARTS. CONTACT THE MANUFACTURER IF REPLACEMENT PARTS OR ADDITIONAL INSTRUCTIONS ARE NEEDED.
- USE A CRIB MATTRESS THAT IS NO THICKER THAN 15 CM AND IS OF SUCH A SIZE THAT, WHEN IT IS PUSHED FIRMLY AGAINST ANY SIDE OF CRIB, IT DOES NOT LEAVE A GAP OF MORE THAN 3 CM BETWEEN THE MATTRESS AND ANY PART OF THE SIDES OF THE CRIB.
- CHILDREN CAN SUFFOCATE ON SOFT BEDDING. DO NOT PLACE PILLOWS, COMFORTERS OR SOFT MATTRESS IN THIS CRIB.

PARTS

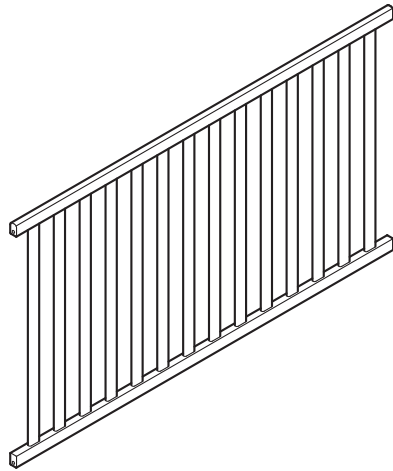
If there are any missing parts, please contact **Dream On Me** before using the product.



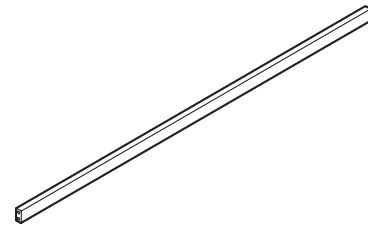
1 Left Panel



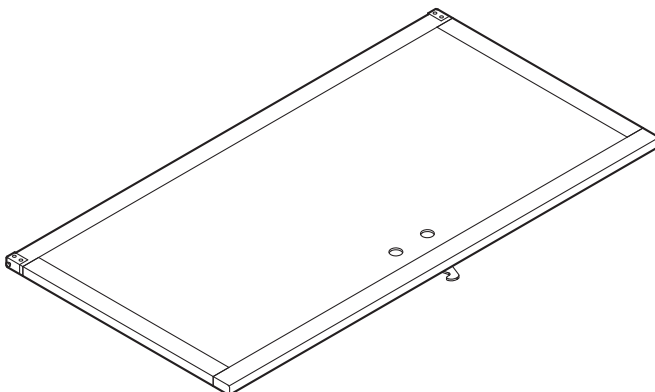
2 Right Panel



3 Front and Back Panel (x2)



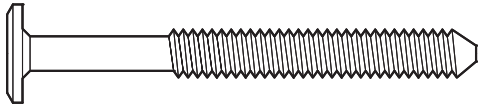
4 Stabilizer Bar



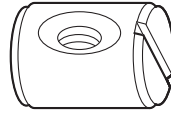
5 Mattress Board

HARDWARE

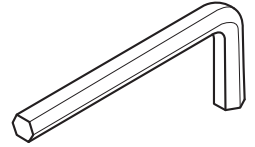
If there are any missing parts, please contact **Dream On Me** before using the product.



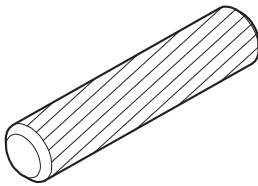
A Bolt 2-1/8" (x10)



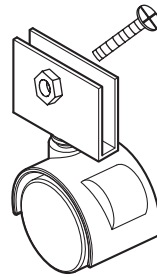
B Barrel Nuts (x10)



C Allen Key



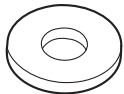
D Wooden Dowels (x2)



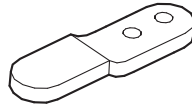
E Castors (x4)



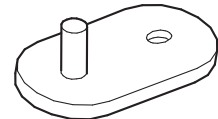
F Spring Washer (x10)



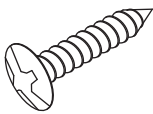
G Washer (x10)



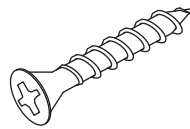
H Latch 1 (x2)



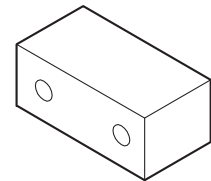
I Latch 2 (x2)



J Screw 5/8" (x6)

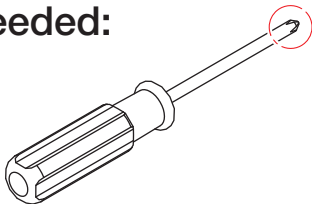


K Screw 3/4" (x4)

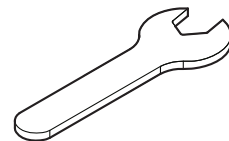
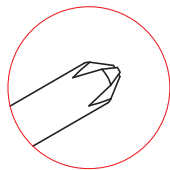


L Plastic Block (x2)

Tools Needed:



Phillips Screw Driver (**NOT INCLUDED**)



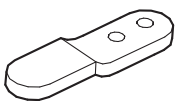
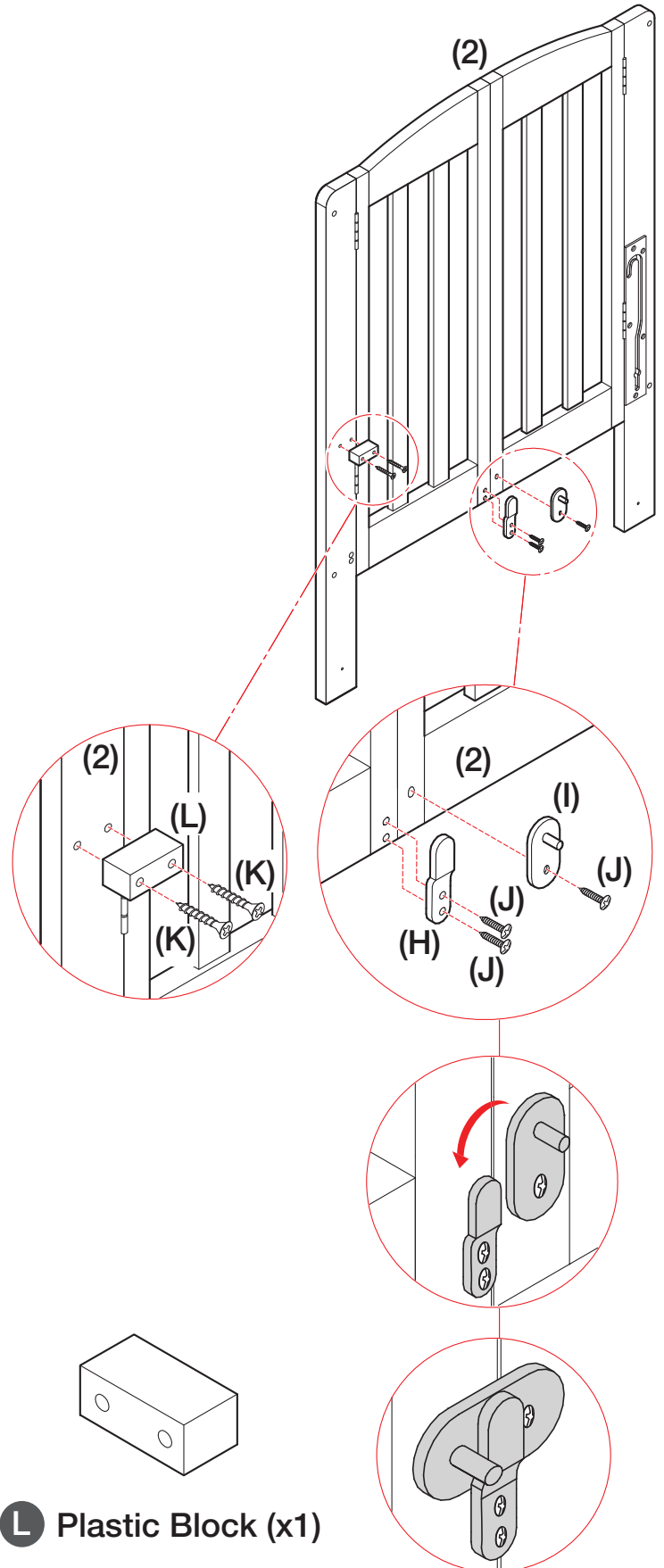
Wrench (**NOT INCLUDED**)

CRIB ASSEMBLY - RIGHT SIDE PANEL ASSEMBLY

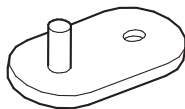
1

- 1a. Place the Right Panel (2) on a soft surface and align the Latch 1 (H) and Latch 2 (I) as shown in the illustration. Similarly, align the Plastic Block (L) to the panel.
- 1b. Attach the Screw (J) in the insertions provided on the latches. Similarly, attach the Screw (K) in the insertions given on the plastic block.
- 1c. Tighten the screws into the insertions using a Philips Screw Driver (Not Included).
- 1d. Once all the fixtures are secured, lock the latches on the bottom of the panel as illustrated.

NOTE: Do not overtighten the screws.



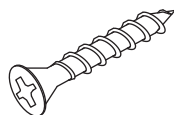
H Latch 1 (x1)



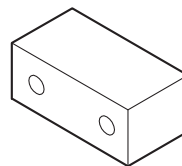
I Latch 2 (x1)



J Screw 5/8" (x3)



K Screw 3/4" (x2)



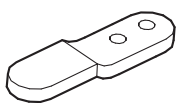
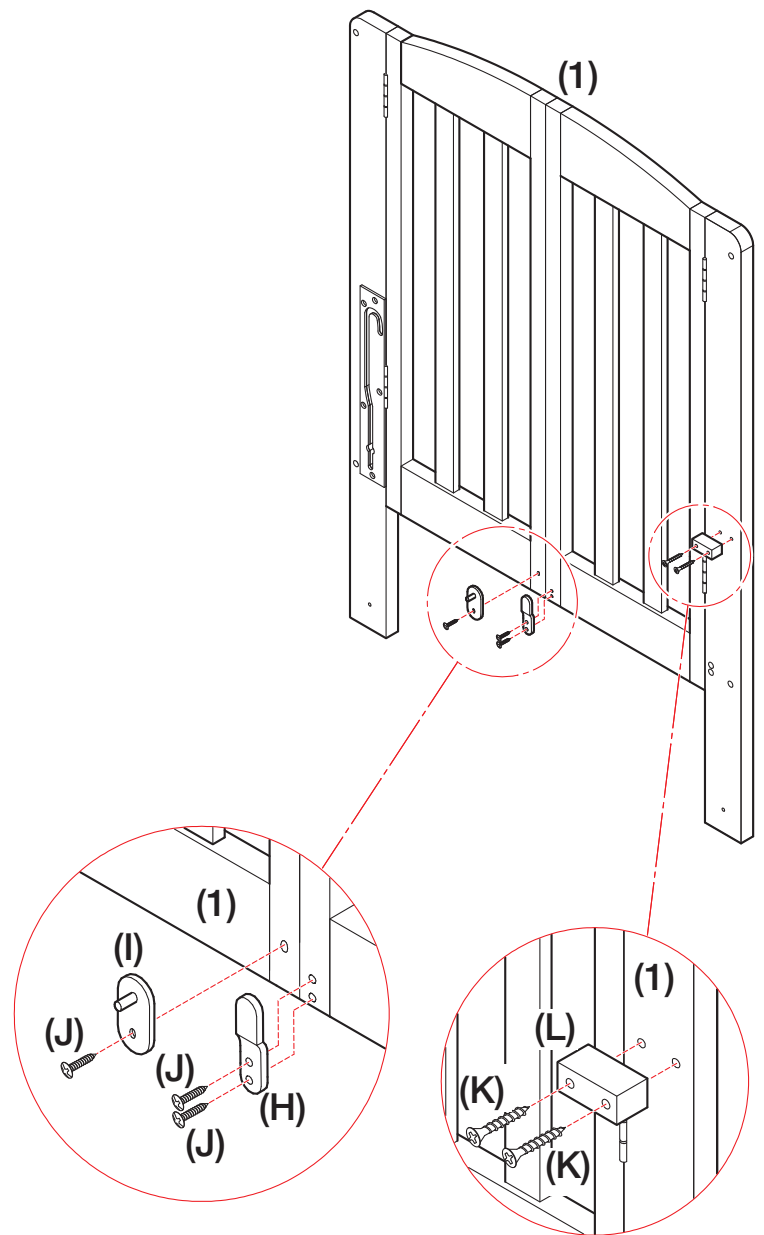
L Plastic Block (x1)

CRIB ASSEMBLY - LEFT SIDE PANEL ASSEMBLY

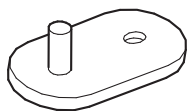
2

- 2a. Place the Left Panel (1) on a soft surface and align the Latch 1 (H) and Latch 2 (I) as shown in the illustration. Similarly, align the Plastic Block (L) to the panel.
- 2b. Attach the Screw (J) in the insertions provided on the latches. Similarly, attach the Screw (K) in the insertions given on the plastic block.
- 2c. Tighten the screws into the insertions using a Philips Screw Driver (**NOT INCLUDED**).
- 2d. Once all the fixtures are secured, lock the latches on the bottom of the panel.

NOTE: Do not overtighten the screws.



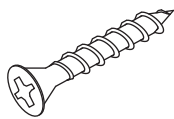
H Latch 1 (x1)



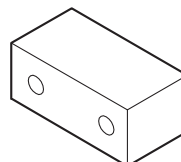
I Latch 2 (x1)



J Screw 5/8" (x3)



K Screw 3/4" (x2)

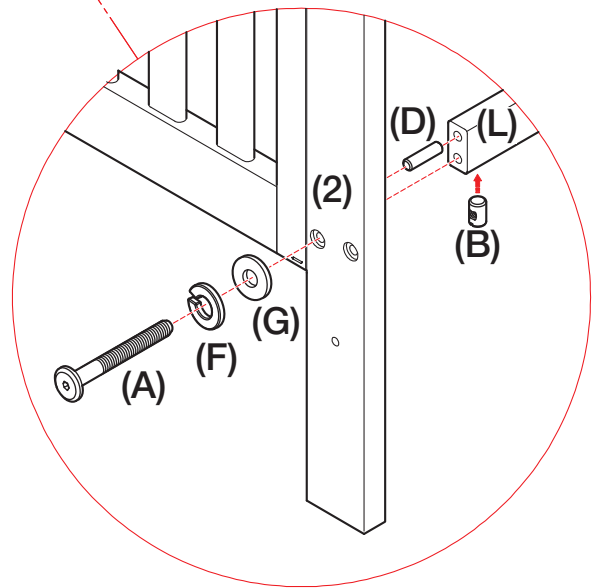
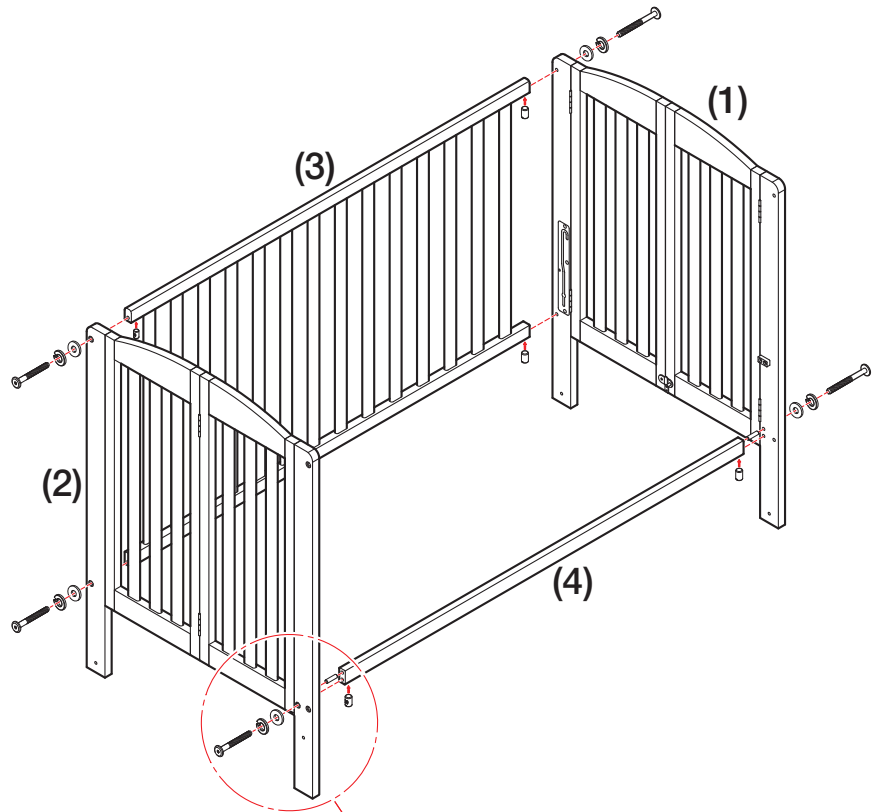


L Plastic Block (x1)

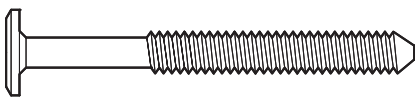
CRIB ASSEMBLY - FRONT PANEL ASSEMBLY

3

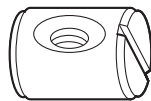
- 3a. Align the Front Panel (3) to the assembled side panels as shown in the illustration.
- 3b. Position the Wooden Dowels (D) between the Stabilizer Bar (4) and the side panels.
- 3c. Attach the Barrel Nuts (B) in the insertions provided on the stabilizer and the front panel.
- 3d. Position the Washer (G) and the Spring Washer (F) on the insertions provided on the legs of the side panels. Attach the Bolts (A) into the insertions securing the parts.
- 3e. Tighten the bolts into the barrel nuts using the Allen Key (C) provided.



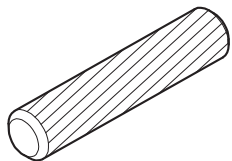
NOTE: Do not overtighten the bolts.



A Bolt 2-1/8" (x6)



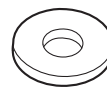
B Barrel Nuts (x6)



D Wooden Dowels (x2)



F Spring Washer (x6)

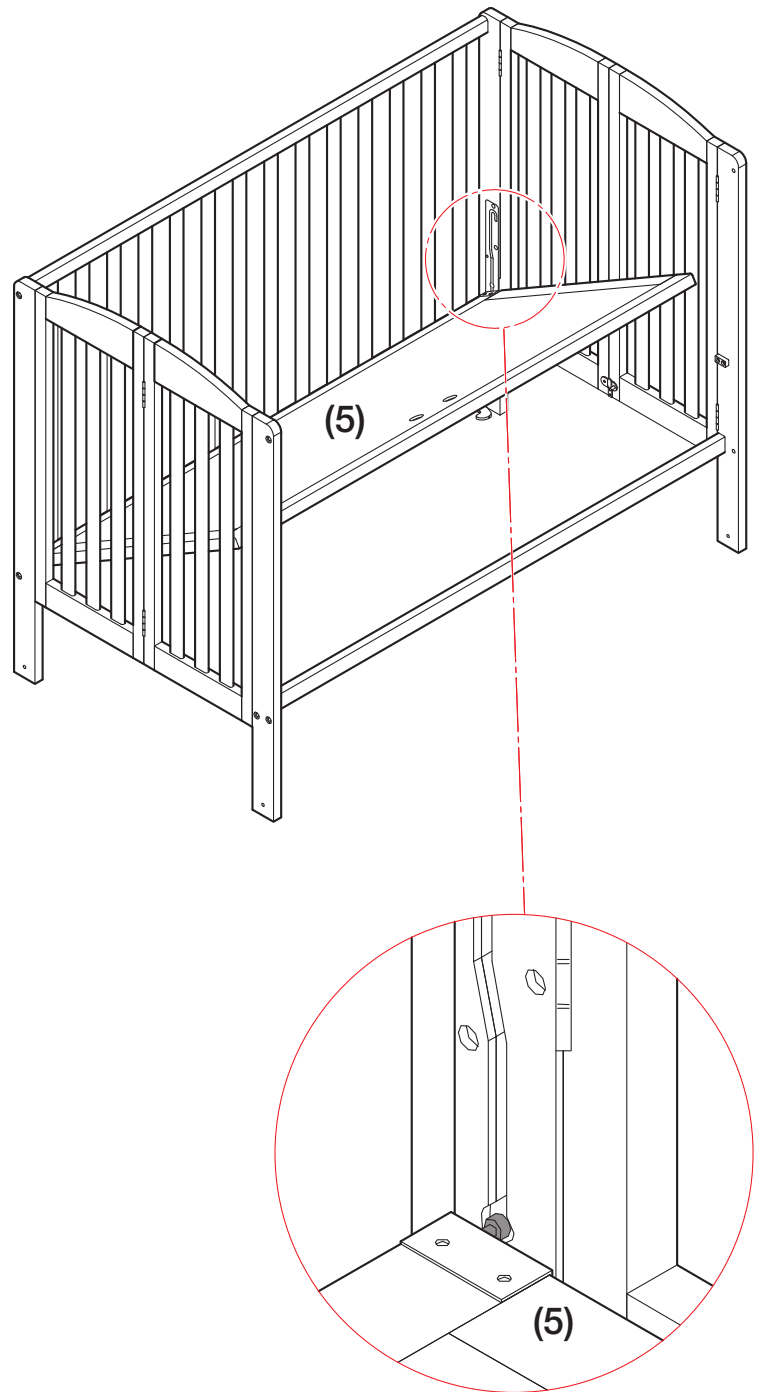


G Washer (x6)

CRIB ASSEMBLY - MATTRESS BOARD ASSEMBLY

4

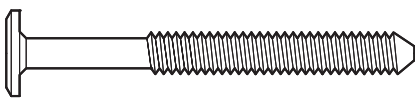
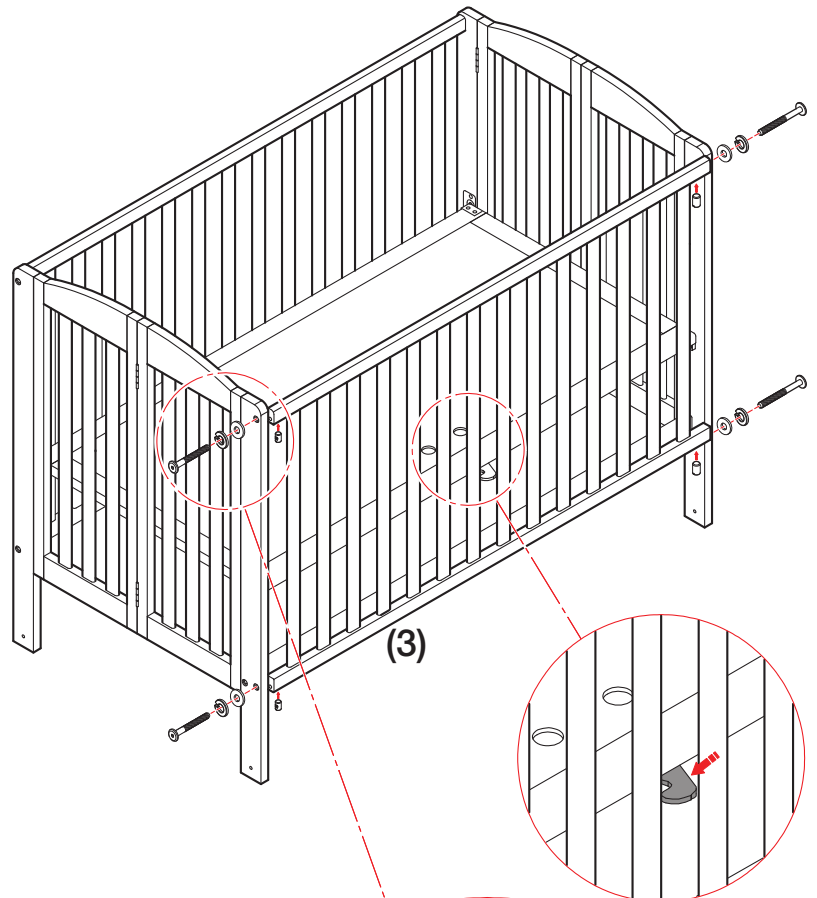
- 4a. To assemble the Mattress Board (5), position the metal pins provided on the board into the notches of the side panels.
- 4b. Move the mattress board up and down to adjust the mattress height to the required level.



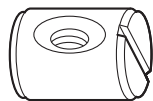
CRIB ASSEMBLY - BACK PANEL ASSEMBLY

5

- 5a. Align the Back Panel (3) to the side panels as shown in the illustration.
- 5b. Attach the Barrel Nuts (B) in the insertions provided on the back panel.
- 5c. Position the Washer (G) and the Spring Washer (F) on the insertions provided on the legs of the side panels.
- 5d. Attach the Bolts (A) into the insertions provided on the legs of the side panels. Tighten the bolts into the barrel nuts using the Allen Key (C) provided.
- 5e. Lock the mattress board in place by snapping the handle on the board to the back panel.



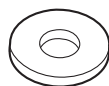
A Bolt 2-1/8" (x4)



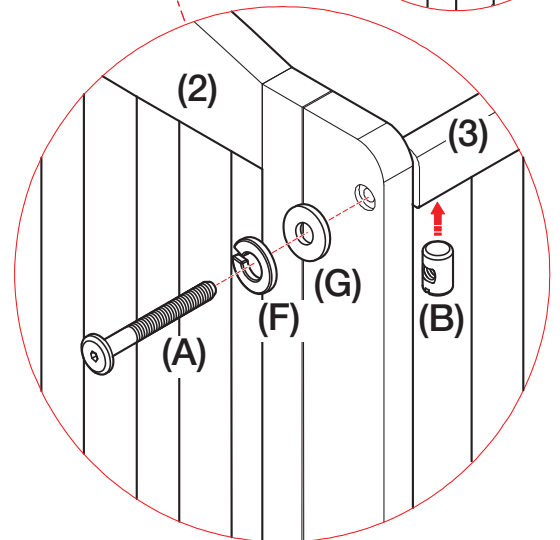
B Barrel Nuts (x4)



F Spring Washer (x4)



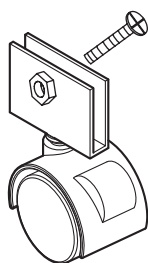
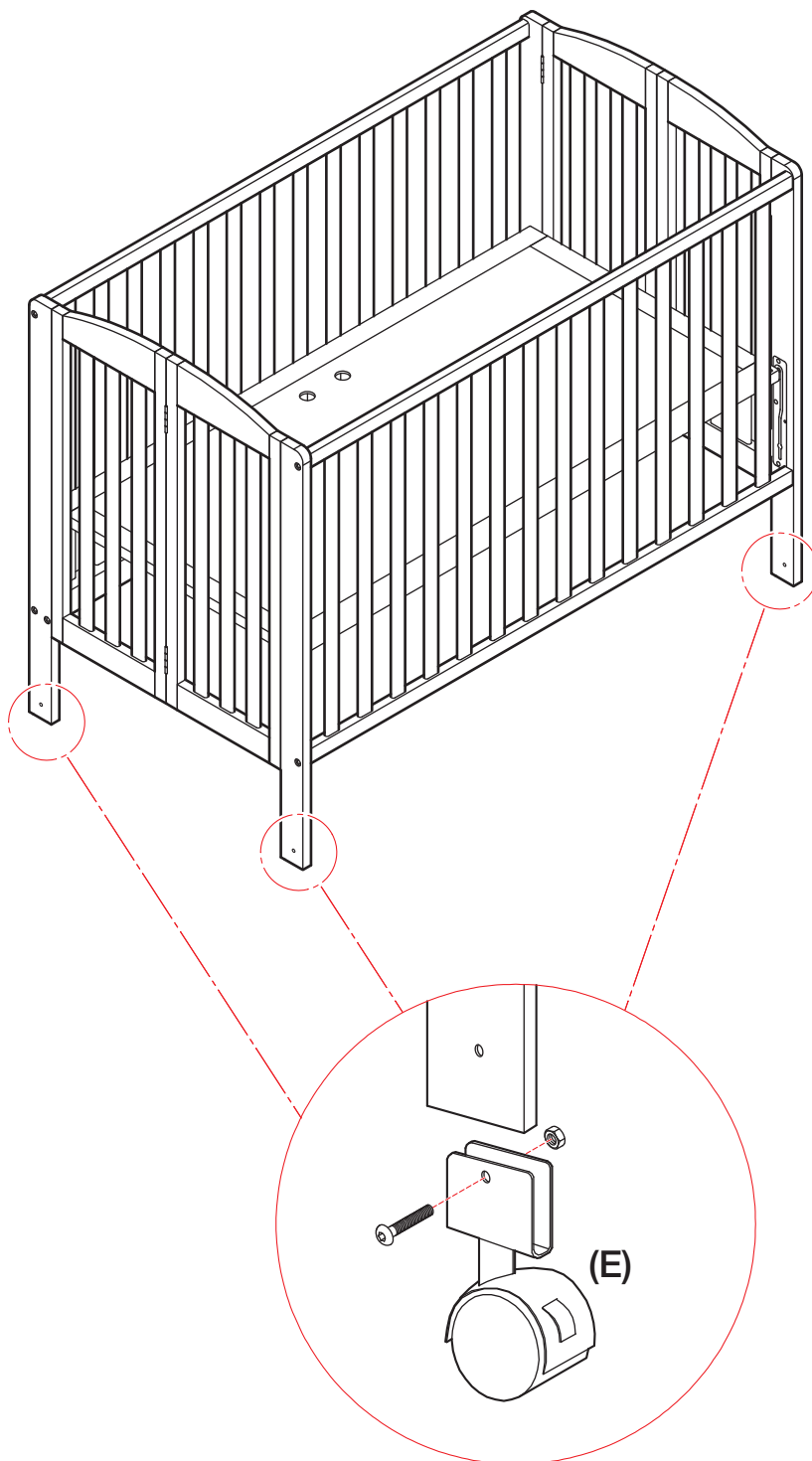
G Washer (x4)



CRIB ASSEMBLY - CASTOR WHEELS ASSEMBLY

6

- 6a. Assemble the Castors (E) to the legs of the crib as shown in the illustration.
- 6b. The castors with brakes are to be attached to the front legs of the crib.

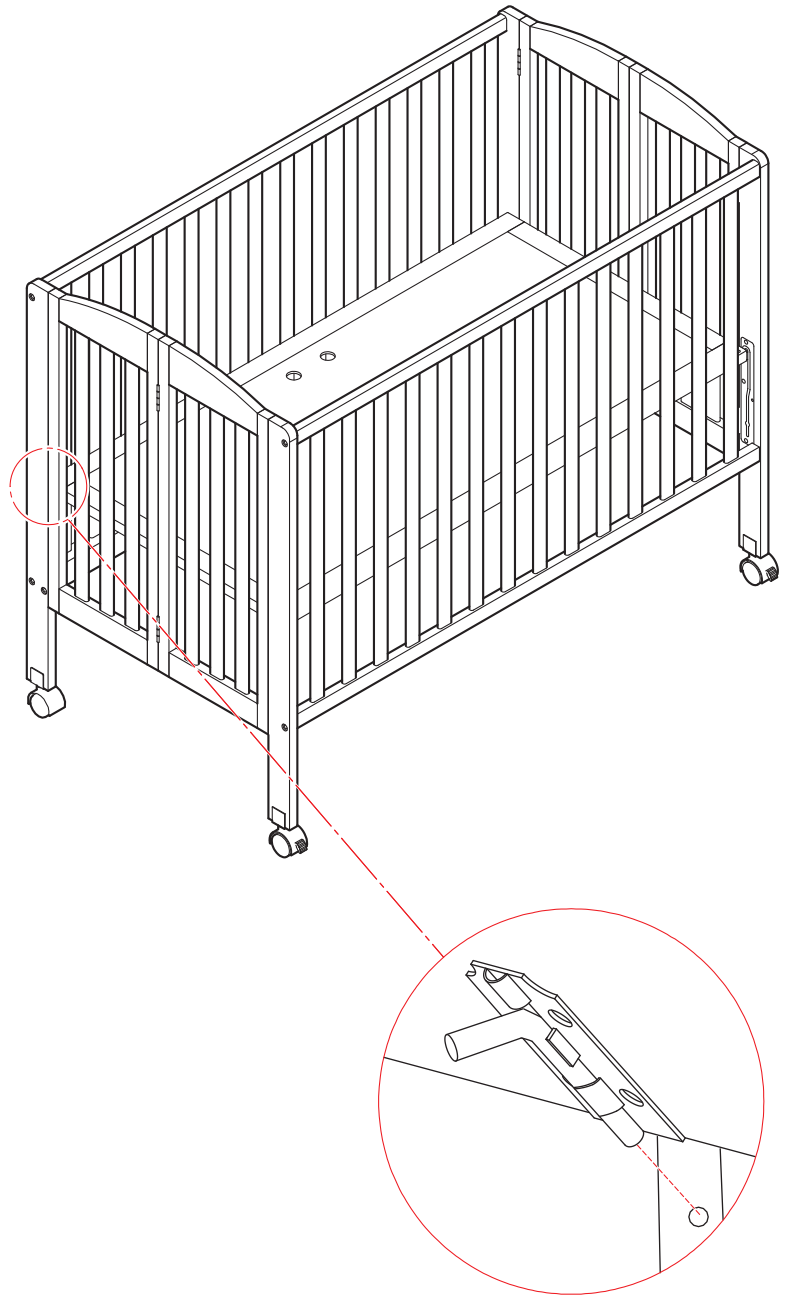


E Castors (x4)

CRIB ASSEMBLY - MATTRESS SUPPORT ASSEMBLY

7

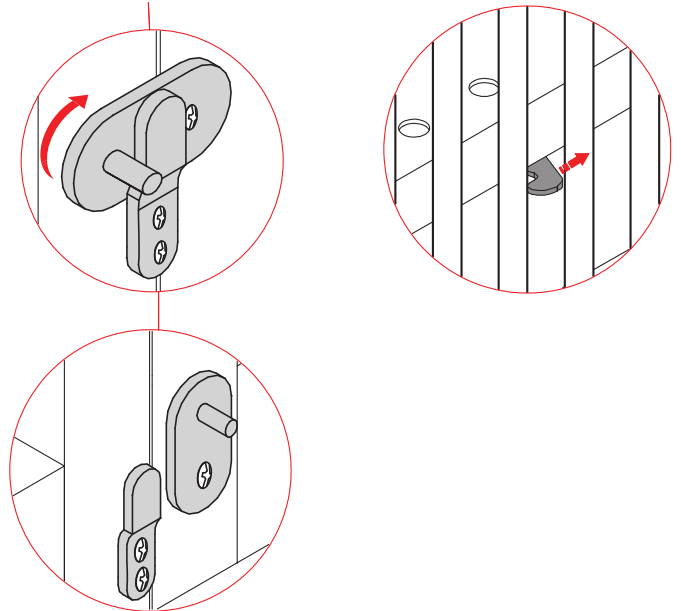
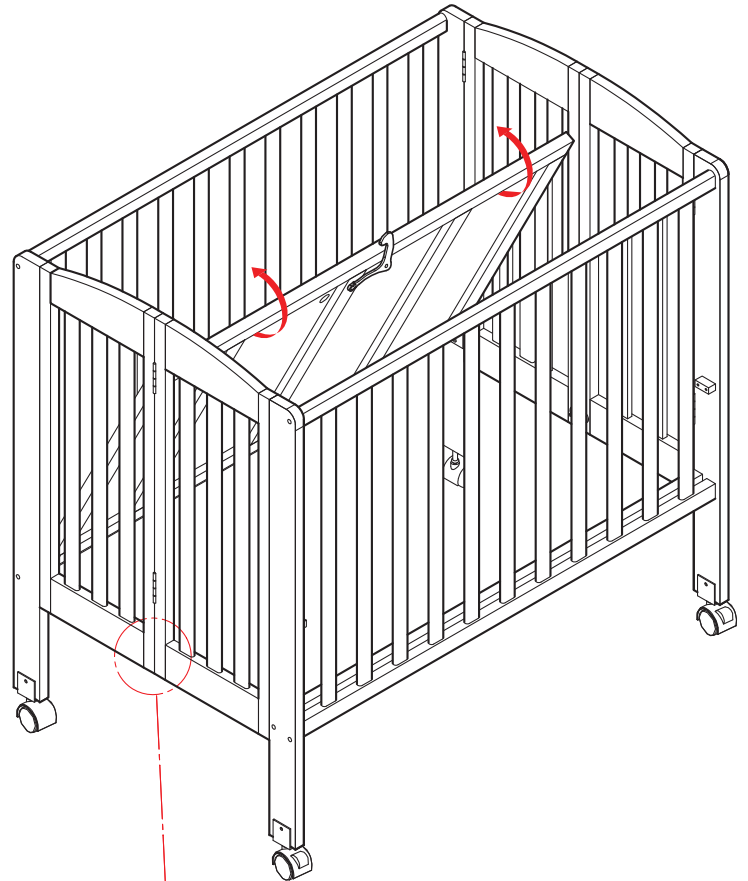
- 7a. To adjust the height levels of the mattress, use both of your hands to lift up the mattress board.
- 7b. Slide the bolt underneath the mattress board to keep the mattress support fixed.



FOLDING DIRECTIONS

1

- 1a. Release the handle on the mattress board from the back panel, as shown in the illustration.
- 1b. Lift the mattress board towards the front panel and snap the handle to the front panel.
- 1c. Secure the mattress board to the front panel for folding the crib.
- 1d. Unlock the latches on the bottom of the side panels as illustrated.

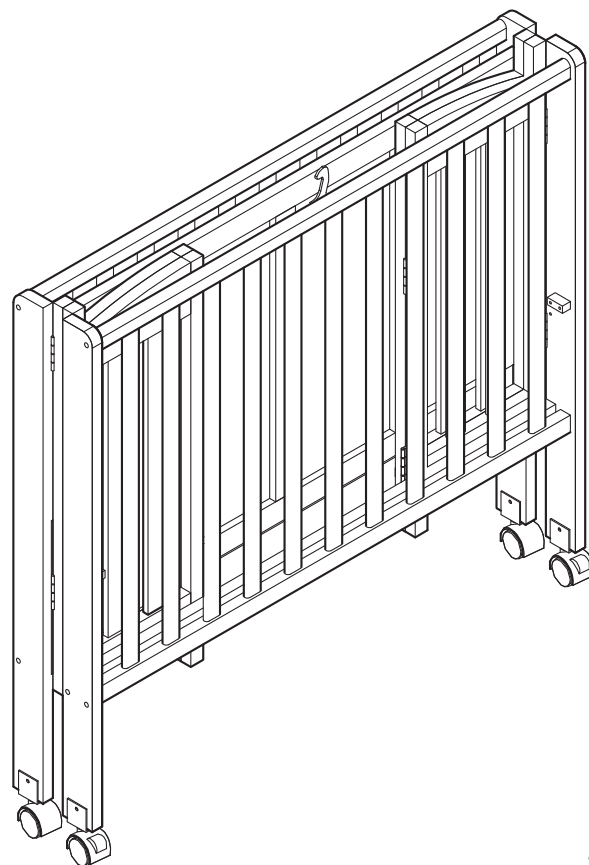
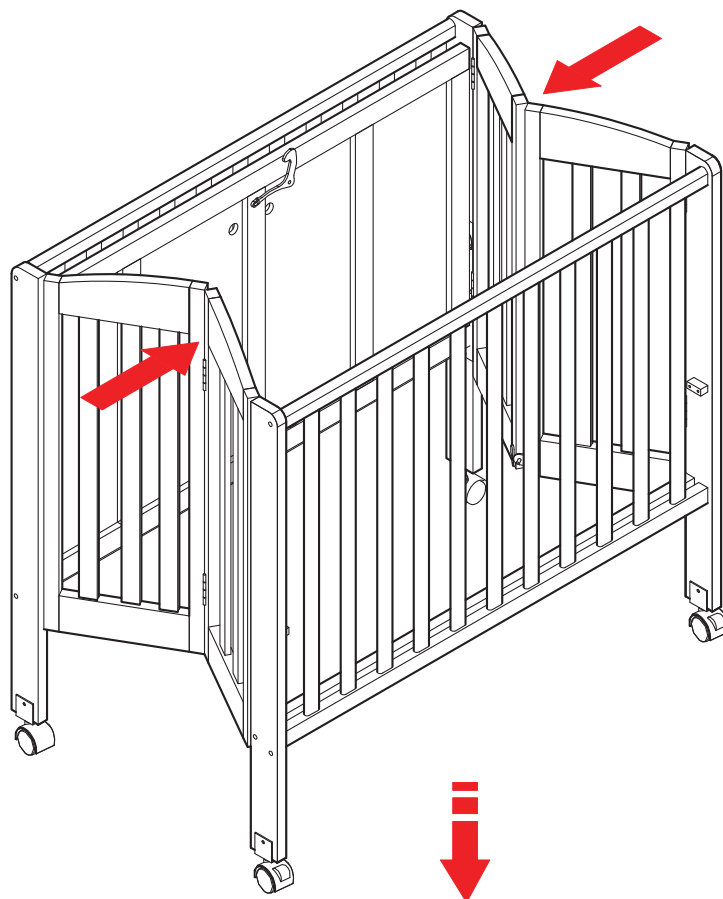


FOLDING DIRECTIONS

2

2a. To fold the crib, push the handles of both the side panels inside as illustrated.

2b. The crib folds flat for easy and compact storage.



CRIB CARE INSTRUCTIONS

ROOM CLIMATE CONTROL:

- Wood, when first cut contains more than 50 percent water. When it is prepared for furniture construction it is placed in a Kiln and the moisture content is brought down to 8 to 10 percent. Wood is porous and responds to its environment. If the room has high humidity it will absorb it and expand and if the humidity is low it will lose moisture and shrink.
- It is important that the humidity levels in the room be controlled from extremes of too much humidity or too little. Furniture should not be placed close to the air-conditioning outlets, fire places, radiators, space heaters, humidifiers or dehumidifiers. Exposure to extreme variations of temperature and humidity can damage any fine wood product.

THE IDEAL ENVIRONMENT FOR FINE FURNITURE:

- Fine wood furniture will have fewer problems when its environment is controlled at a temperature between 65 and 75 degrees and a relative humidity between 35 and 40 percent. Wood placed in an environment outside of those limits can and will shrink or expand and may develop some small cracks which are not material or structural defects.

STICKING DOORS AND DRAWERS:

- With the minor changes in temperature and humidity, doors and drawers may swell and be difficult to open or close. Tolerances have been built into the units but extreme conditions may still cause sticking. This will adjust back to normal over time but until it does consider using a dehumidifier or rub candle wax or paraffin on sides that stick.

AVOID DIRECT SUNLIGHT:

- Keep the furniture out of direct sunlight. Ultraviolet rays will fade colors and in some cases darken them. It can also cause crazing or hair line cracks in the finish. White finishes will yellow naturally over time and exposure to direct sunlight will hasten this natural process along with some woods darkening naturally over time; this is not considered to be a quality defect.

PROPER STORAGE:

- If you need to put your furniture in storage for any period of time do not store them in a damp basement or hot dry attic. Allow air movement around the furniture and do not stack anything on it.

CRIB CARE INSTRUCTIONS (cont.)

IN GENERAL:

- Protect furniture surface from hot or extremely cold items.
- Use coasters under hot or cold beverages.
- Do not use synthetic fabric under accessories or lamps.
- Protect tops from pens, markers and crayons.
- Oils from potpourri and other scented items can damage the finish of the furniture.
- Do not drag items across the surface of the furniture.
- Allow the surface to breath by rotating your accessories and lamps.
- Do not over polish the furniture, do it only two or three times a year. Over polishing can distort the natural finish of the product.
- Do not wax the furniture, as wax build up can destroy natural finish of the product.
- When moving furniture always lift the unit. Do not push or drag it to avoid damage to legs.
- Keep the furniture level so doors and drawers open and close freely.
- Clean with a damp, not wet, cloth. Use only a mild soap. Do not use the abrasive cleaners.
- Do not scratch or chip the finish.
- Inspect the product periodically, contact Dream On Me for replacement parts or questions.
- Do not store the product or any parts in extreme temperatures and conditions such as a hot attic or a damp, cold basement. These extremes can cause a loss of structural integrity.
- To preserve the luster of the high-quality finish on your product, it is recommended to place a doily or felt pad under any items you place on the finish.
- Clean with a damp cloth, then a dry cloth to preserve the original luster and beauty of this fine finish.
- Do not use abrasive chemicals.
- Do not spray cleaners directly onto furniture.
- Lift slightly when moving on carpeting to prevent leg breakage.
- Use of a vaporizer near furniture will cause wood to swell and to peel.

YOU DID IT!

Congratulations Mom & Dad!

It's time to create your dream nursery. A safe, elegant handcrafted crib that grows with your little one.



**1532 S. WASHINGTON AVENUE
PISCATAWAY, NJ 08854**
E-mail: info@dreamonme.com

www.dreamonme.com

**Follow Us @dreamonmeinc
to get your nursery featured on our social media.**



**Enter our monthly giveaway!
Scan the QR code to register.**

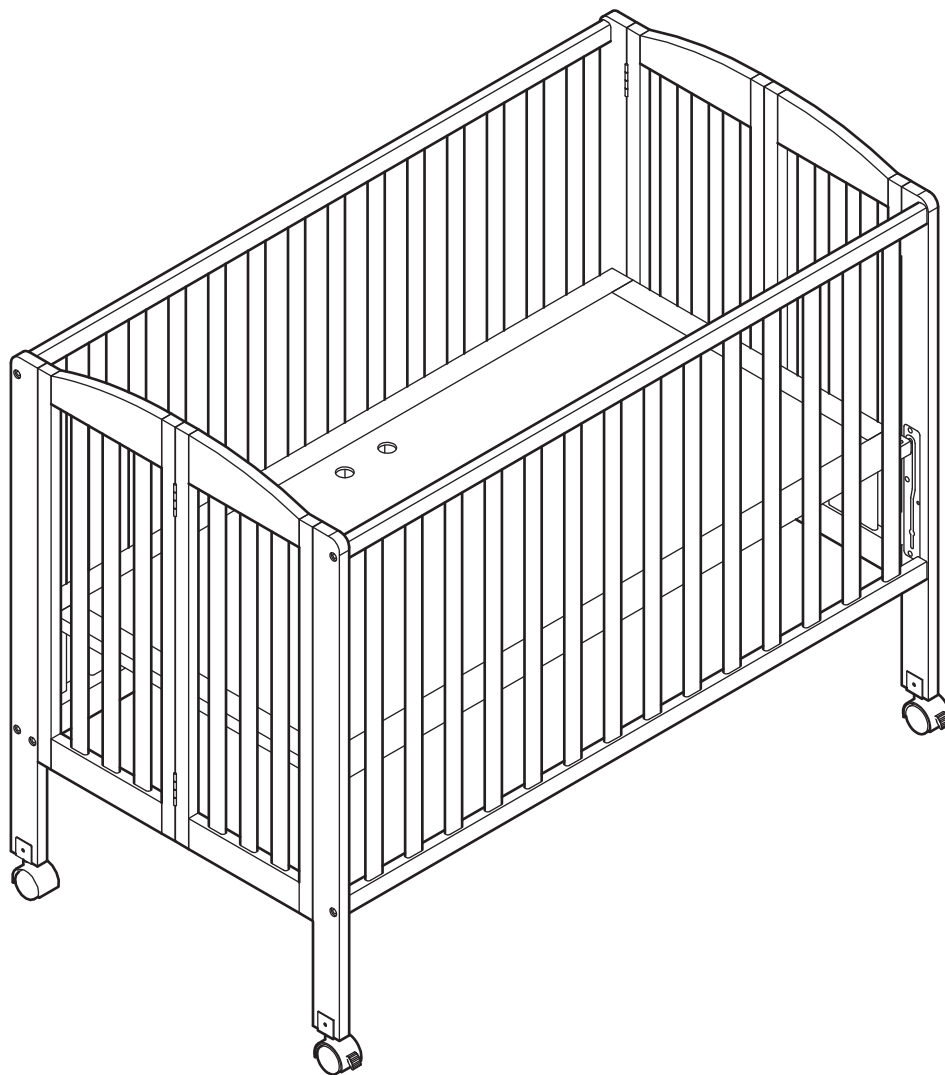


**Chat with us!
Scan the QR code to Live Chat.**



FOLDING FULL SIZE CRIB

Le manuel du propriétaire



Scannez le code QR pour enregistrer votre produit
<https://dreamonme.com/customer-care/registration/>



Lisez toutes les instructions avant
d'assembler et d'utiliser le produit.

IMPORTANT - Conservez les
instructions pour une utilisation
future.



0322R1-673

SAFETY TIPS



Assemblage par un adulte requis.



Les petites pièces peuvent présenter un risque d'étouffement avant l'assemblage.



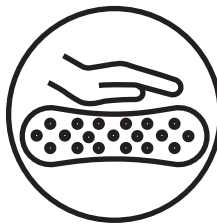
N'utilisez PAS le produit s'il est endommagé, cassé, et/ou si des composants sont manquants ou cassés.



Veillez lire attentivement les instructions. Identifiez toutes les pièces et le matériel.



N'utilisez pas de perceuse ou de visseuse électrique.



Pour protéger vos pièces pendant l'assemblage, veuillez les placer sur une surface souple.



Pour une expérience de sommeil sûre et confortable, nous vous suggérons d'utiliser un matelas Dream On Me Greenguard Gold Certified Full-Size.



Pour nettoyer la surface, utilisez uniquement de l'eau sur un chiffon humide. N'utilisez pas de nettoyant à vitres ou d'abrasif de nettoyage, car cela rayerait la surface et pourrait endommager le revêtement protecteur.



Contact Dream On Me In case of any assistance needed.

MERCI...

.... pour avoir choisi Dream On Me et félicitations pour avoir rejoint notre famille ;
une famille qui a transformé des vies depuis plus de 30 ans !

Nous apprécions vos commentaires et nous vous souhaitons le meilleur pour les
années à venir avec votre nouveau membre.

années à venir avec votre nouvelle addition. Si vous avez des questions
ou des inquiétudes, n'hésitez pas à nous contacter. L'un de nos

L'un de nos représentants du service clientèle se fera un plaisir de vous aider.

Merci encore de nous avoir fait confiance pour vous fournir des produits et
accessoires pour bébés sûrs et abordables.

produits et accessoires pour bébés sûrs et abordables.

GARANTIE LIMITÉE :

- Dream On Me garantit que son produit est exempt de tout défaut de matériel et de fabrication. et de fabrication et s'engage à remédier à tout défaut de ce type.
- Cette garantie couvre 1 an à partir de la date d'achat originale.
- Cette garantie n'est valable que sur présentation d'une preuve d'achat.
- Elle se limite uniquement à la réparation ou au remplacement des composants défectueux du meuble. défectueux et aucun travail de montage n'est inclus.
- Cette garantie ne s'applique pas à un produit qui a été mal assemblé, soumis à un mauvais usage ou à un abus. mal assemblé, soumis à une mauvaise utilisation ou à un abus ou qui a été modifié ou ou réparé de quelque façon que ce soit.
- Cette garantie vous donne des droits légaux spécifiques et vous pouvez également avoir d'autres droits qui varient d'un État à l'autre. droits qui varient d'un État à l'autre.

AVERTISSEMENTS

- LE NON-RESPECT DE CES AVERTISSEMENTS ET DES INSTRUCTIONS DE MONTAGE PEUT ENTRAÎNER DES BLESSURES GRAVES OU LA MORT.
- POUR RÉDUIRE LE RISQUE DE SIDS, LES PÉDIATRES RECOMMANDENT QUE LES NOURRISSONS EN BONNE SANTÉ SOIENT PLACÉS SUR LE DOS POUR DORMIR, SAUF AVIS CONTRAIRE DU MÉDECIN.
- AVANT ET APRÈS L'ASSEMBLAGE ET FRÉQUEMMENT PENDANT L'UTILISATION, VÉRIFIEZ QUE LE PRODUIT N'EST PAS ENDOMMAGÉ, QUE LES JOINTS NE SONT PAS DESSERRÉS, QU'IL NE MANQUE PAS DE PIÈCES OU QUE LES BORDS NE SONT PAS TRANCHANTS.
- N'UTILISEZ PAS CE LIT D'ENFANT SI DES PIÈCES SONT MANQUANTES, ENDOMMAGÉES OU CASSÉES. CONTACTEZ DREAM ON ME - 1532 S. WASHINGTON AVE, PISCATAWAY, NJ 08854 POUR OBTENIR DES PIÈCES DE RECHANGE.
- N'UTILISEZ PAS DE MATELAS D'EAU AVEC CE LIT D'ENFANT.
- EN CAS DE RÉNOVATION, UTILISER UNE FINITION NON TOXIQUE SPÉCIFIÉE POUR LES PRODUITS POUR ENFANTS.

RISQUE DE STRANGULATION :

- LES FICELLES PEUVENT CAUSER LA STRANGULATION ! NE PLACEZ PAS D'ARTICLES MUNIS D'UNE FICELLE AUTOUR DU COU D'UN ENFANT, TELS QUE DES CORDONS DE CAPUCHON OU DES CORDONS D'ATTACHE. D'UN ENFANT, COMME LES CORDONS DE CAPUCHE OU DE SUCETTE. NE SUSPENDEZ PAS DE FICELLES AU-DESSUS D'UN AU-DESSUS D'UN LIT D'ENFANT OU D'ATTACHER DES FICELLES À DES JOUETS.
- POUR ÉVITER TOUT RISQUE DE STRANGULATION, SERREZ TOUTES LES ATTACHES. UN ENFANT PEUT COINCER DES PARTIES DE SON CORPS OU DES VÊTEMENTS SUR DES ATTACHES L CHES.
- NE PLACEZ PAS LE LIT D'ENFANT PRÈS D'UNE FENÊTRE OÙ LES CORDONS DES STORES OU DES RIDEAUX POURRAIENT ÉTRANGLER UN ENFANT. ÉTRANGLER UN ENFANT.
- LES NOURRISSONS PEUVENT SUFFOQUER SUR UNE LITERIE MOLLE.
- NE JAMAIS AJOUTER D'OREILLER, D'ÉDREDON OU DE REMBOURRAGE.
- NE JAMAIS PLACER DE REMBOURRAGE SUPPLÉMENTAIRE SOUS LE BÉBÉ.
- NE JAMAIS UTILISER DE SACS D'EXPÉDITION EN PLASTIQUE OU TOUT AUTRE FILM PLASTIQUE COMME COUVRE-MATELAS, CAR ILS PEUVENT PROVOQUER LA SUFFOCATION.
- LES NOURRISSONS PEUVENT SUFFOQUER DANS LES ESPACES ENTRE LES CÔTÉS DU LIT ET UN MATELAS TROP PETIT. TROP PETIT. TOUT MATELAS UTILISÉ DANS CE LIT D'ENFANT DOIT MESURER AU MOINS 69 CM (27-1/4 PO) SUR 131 CM (51-5/8 PO). (131 CM), D'UNE ÉPAISSEUR MAXIMALE DE 15 CM (6 PO) ET D'UNE ÉPAISSEUR MINIMALE DE 10 CM (4 PO).
- DE 4 PO (10 CM). LES DIMENSIONS DU MATELAS SONT PRISES D'UNE COUTURE À L'AUTRE OU D'UN BORD À L'AUTRE, LE CAS ÉCHÉANT. COUTURE OU BORD À BORD, LE CAS ÉCHÉANT.

RISQUE DE CHUTE :

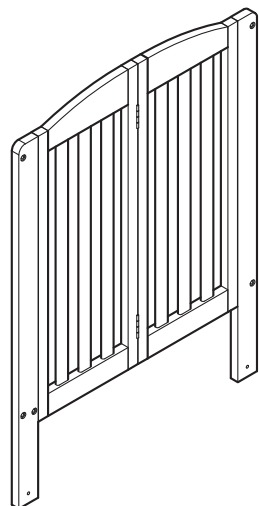
- LORSQUE L'ENFANT EST CAPABLE DE SE METTRE DEBOUT, METTEZ LE MATELAS À LA POSITION LA PLUS BASSE ET RETIREZ LES PARE-CHOCS. POSITION LA PLUS BASSE ET RETIRER LES PARE-CHOCS, LES GROS JOUETS ET AUTRES OBJETS QUI POURRAIENT SERVIR DE MARCHES POUR SORTIR. QUI POURRAIENT SERVIR DE MARCHES POUR SORTIR. APRÈS AVOIR RELEVÉ LE CÔTÉ, ASSUREZ-VOUS QUE LES LOQUETS SONT QUE LES LOQUETS SONT BIEN FIXÉS (NE PAS TENIR COMPTE DES LITS D'ENFANT SANS CÔTÉ ABAISSABLE).

AVERTISSEMENTS (suite)

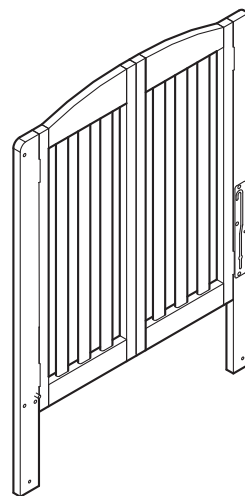
- NE LAISSEZ PAS L'ENFANT DANS LE LIT D'ENFANT AVEC LES CÔTÉS ABAISSÉS. S'ASSURER QUE LE CÔTÉ EST RELEVÉ ET VERROUILLÉ VERROUILLÉ CHAQUE FOIS QUE L'ENFANT EST DANS LE LIT (SAUF POUR LES LITS D'ENFANT À CÔTÉ NON ABAISSABLE).
- CESSEZ D'UTILISER LE LIT D'ENFANT LORSQUE L'ENFANT COMMENCE À GRIMPER OU ATTEINT LA HAUTEUR DE 89 CM (35 PO). (89 CM).
- LORS DE L'ENTREPOSAGE DU LIT D'ENFANT, FAITES ATTENTION CAR DES CHANGEMENTS EXTRÊMES DE TEMPÉRATURE OU D'HUMIDITÉ PEUVENT COMPROMETTRE LE LIT D'ENFANT ET LE RENDRE EXTRÊMEMENT DANGEREUX. DE TEMPÉRATURE OU D'HUMIDITÉ PEUVENT COMPROMETTRE LE BERCEAU ET LE RENDRE EXTRÊMEMENT DANGEREUX POUR VOTRE ENFANT.
- FAITES ATTENTION LORSQUE VOUS UTILISEZ UN VAPORISATEUR OU UN HUMIDIFICATEUR. TOUJOURS DIRIGER LA VAPEUR LOIN DU LIT D'ENFANT AINSI QUE DE TOUT AUTRE MEUBLE EN BOIS. PÉRIODES PROLONGÉES D'HUMIDITÉ PROLONGÉES D'HUMIDITÉ EN STOCKAGE OU À LA MAISON PEUVENT COMPROMETTRE LE LIT D'ENFANT.
- ÉVITEZ D'UTILISER DES VAPORISATEURS ET DES HUMIDIFICATEURS PENDANT DES PÉRIODES PROLONGÉES.
- RESPECTEZ LES AVERTISSEMENTS FIGURANT SUR TOUS LES PRODUITS UTILISÉS DANS LE LIT D'ENFANT.
- N'UTILISEZ PAS CE LIT D'ENFANT SI VOUS NE POUVEZ PAS SUIVRE EXACTEMENT LES
- INSTRUCTIONS QUI L'ACCOMPAGNENT.
- N'UTILISEZ PAS CE LIT D'ENFANT POUR UN ENFANT QUI PEUT GRIMPER HORS DE CELUI-CI OU QUI OU QUI A UNE TAILLE SUPÉRIEURE À 90 CM.
- NE PLACEZ PAS DANS LE LIT OU À PROXIMITÉ DE CELUI-CI UN CORDON, UNE COURROIE OU UN OBJET SIMILAIRE QUI POURRAIT S'ENROULER AUTOUR D'UN ENFANT. QUI POURRAIT S'ENROULER AUTOUR DU COU D'UN ENFANT.
- NE PLACEZ PAS CE LIT PRÈS D'UNE FENÊTRE OU D'UNE PORTE-FENÊTRE OÙ L'ENFANT POURRAIT ATTEINDRE LE CORDON D'UN STORE. L'ENFANT POURRAIT ATTEINDRE LE CORDON D'UN STORE OU D'UN RIDEAU ET ÊTRE S'ÉTRANGLER.
- VÉRIFIEZ RÉGULIÈREMENT CE LIT D'ENFANT AVANT DE L'UTILISER ET NE L'UTILISEZ PAS SI SI DES PIÈCES SONT DESSERRÉES OU MANQUANTES OU S'IL Y A DES SIGNES D'ENDOMMAGEMENT. DOMMAGES. NE PAS REMPLACER LES PIÈCES. CONTACTER LE FABRICANT SI SI DES PIÈCES DE RECHANGE OU DES INSTRUCTIONS SUPPLÉMENTAIRES SONT NÉCESSAIRES.
- UTILISEZ UN MATELAS DE LIT D'ENFANT DONT L'ÉPAISSEUR NE DÉPASSE PAS 15 CM ET QUI EST TAILLE TELLE QUE, LORSQU'IL EST POUSSÉ FERMEMENT CONTRE L'UN DES CÔTÉS DU LIT, IL NE LAISSE PAS UN ESPACE DE PLUS DE 3 CM ENTRE LE LIT ET LE MATELAS. NE LAISSE PAS UN ESPACE DE PLUS DE 3 CM ENTRE LE MATELAS ET UNE PARTIE DES ET TOUTE PARTIE DES CÔTÉS DU LIT D'ENFANT.
- LES ENFANTS PEUVENT SUFFOQUER SUR UNE LITERIE MOLLE. NE PAS PLACER D'OREILLERS, OREILLERS, COUETTES OU MATELAS MOUS DANS CE LIT.

LES PIÈCES

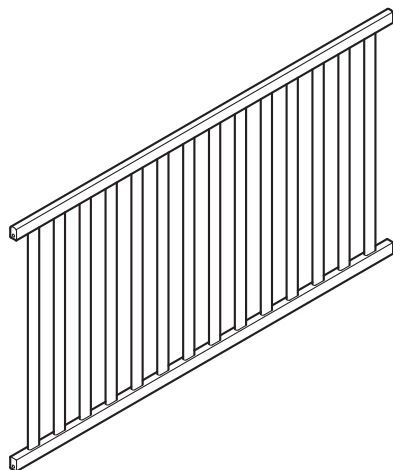
S'il y a des pièces manquantes, veuillez contacter **Dream On Me** avant d'utiliser le produit.



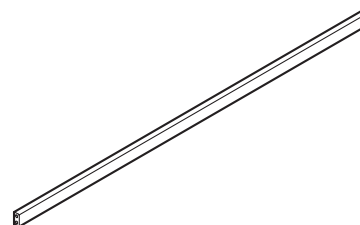
1 Tête de lit gauche



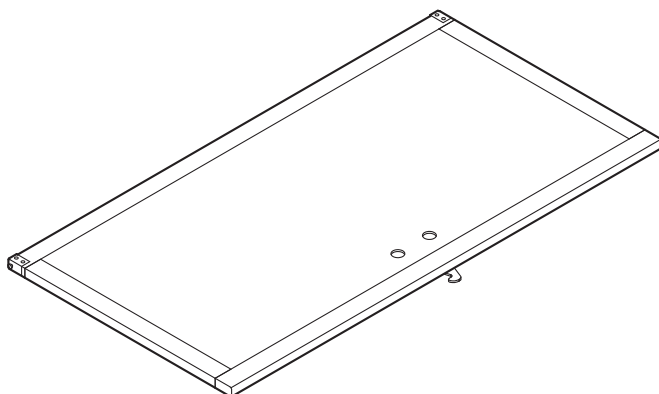
2 Tête de lit droite



3 Panneau avant et arrière (x2)



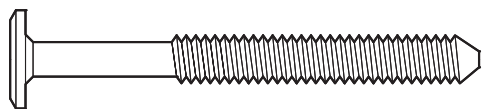
4 Barre stabilisatrice



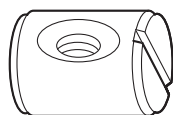
5 Planche à matelas

MATÉRIEL

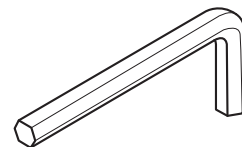
S'il y a des pièces manquantes, veuillez contacter **Dream On Me** avant d'utiliser le produit.



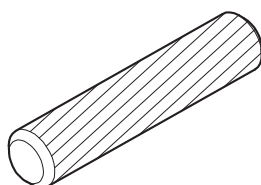
A Boulon 2-1/8" (x10)



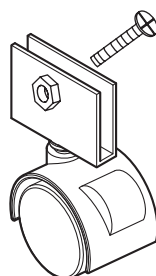
B Écrous du baril (x10)



C Clé Allen



D Chevilles en bois (x2)



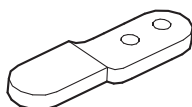
E Roulettes (x4)



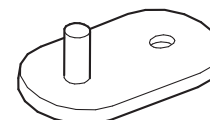
F Rondelle élastique (x10)



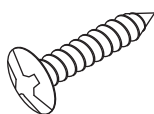
G Rondelle (x10)



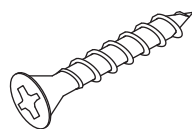
H Loquet 1 (x2)



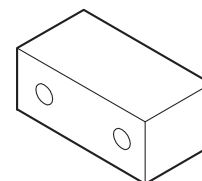
I Loquet 2 (x2)



J Vis 5/8" (x6)

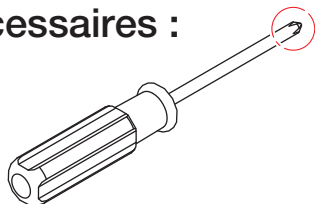


K Vis 3/4" (x4)

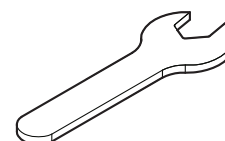
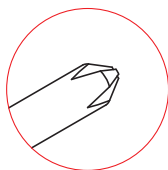


L Bloc en plastique (x2)

Outils nécessaires :



Tournevis Philips (NON INCLUS)

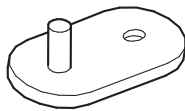
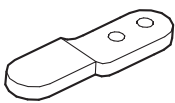
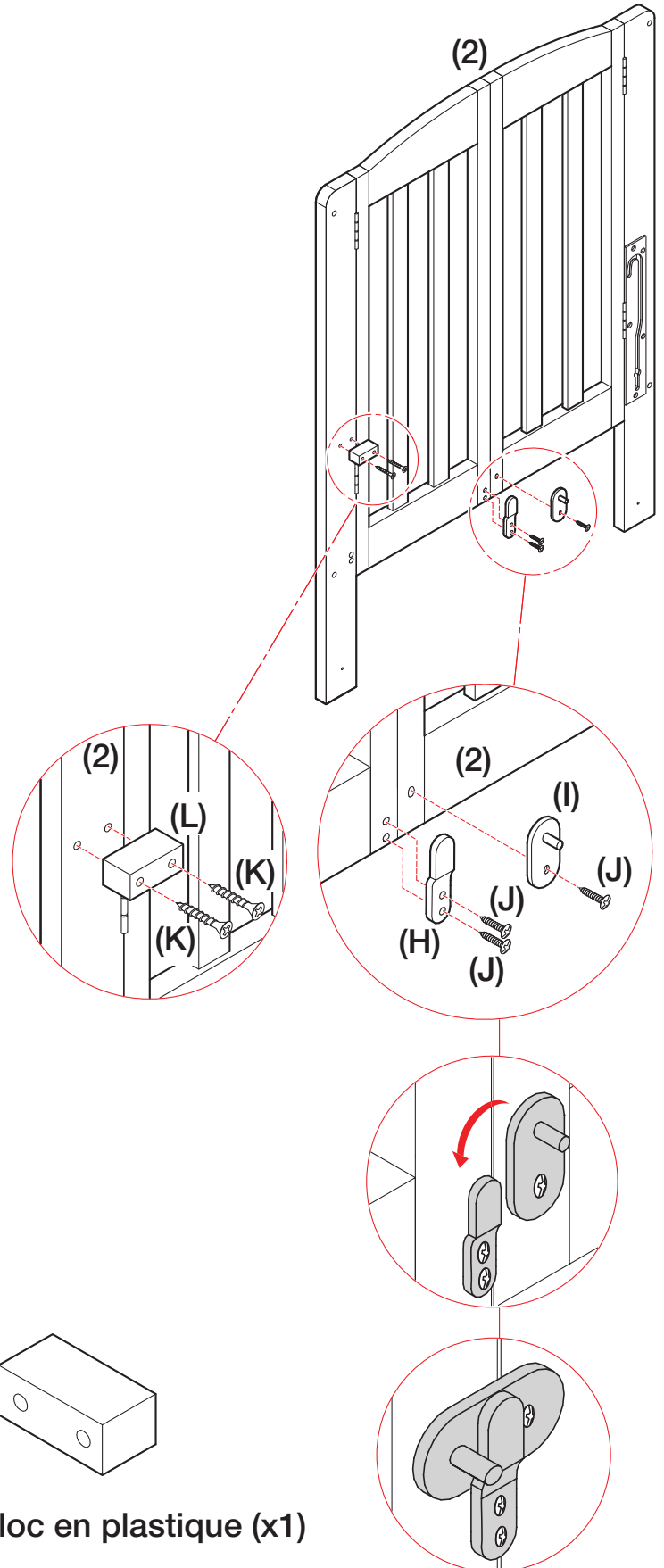


Clé à molette (NON INCLUSE)

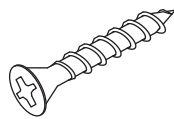
1

- 1a. Placez le panneau droit (2) sur une surface souple et alignez le loquet 1 (H) et le loquet 2 (I) comme indiqué sur l'illustration. De même, alignez le bloc de plastique (L) sur le panneau.
- 1b. Fixez la vis (J) dans les encoches prévues sur les loquets. De même, fixez la vis (K) dans les encoches prévues sur le bloc en plastique.
- 1c. Serrez les vis dans les insertions à l'aide d'un tournevis Philips (non fourni).
- 1d. Une fois que toutes les fixations sont fixées, verrouillez les loquets au bas du panneau comme illustré.

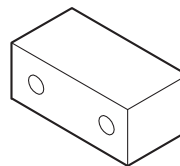
REMARQUE : Ne serrez pas trop les vis.



H Loquet 1 (x1) **I** Loquet 2 (x1)



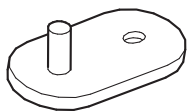
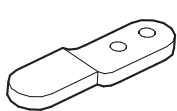
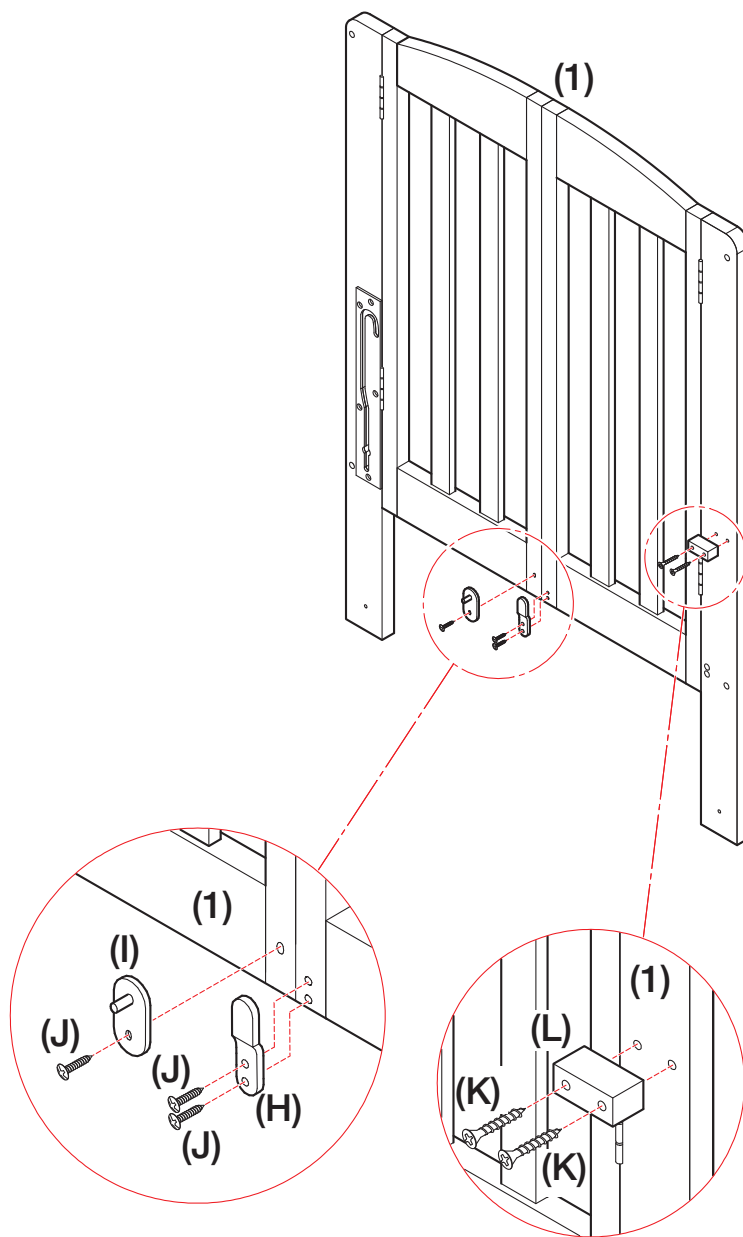
J Vis 5/8" (x3) **K** Vis 3/4" (x2) **L** Bloc en plastique (x1)



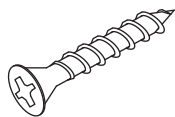
2

- 2a. Placez le panneau gauche (1) sur une surface souple et alignez le loquet 1 (H) et le loquet 2 (I) comme indiqué sur l'illustration. De même, alignez le bloc de plastique (L) sur le panneau.
- 2b. Fixez la vis (J) dans les encoches prévues sur les loquets. De même, fixez la vis (K) dans les encoches prévues sur le bloc en plastique.
- 2c. Serrez les vis dans les insertions à l'aide d'un tournevis Philips (non fourni).
- 2d. Une fois que toutes les fixations sont fixées, verrouillez les loquets au bas du panneau.

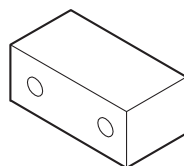
REMARQUE : Ne serrez pas trop les vis.



H Loquet 1 (x1) **I** Loquet 2 (x1)

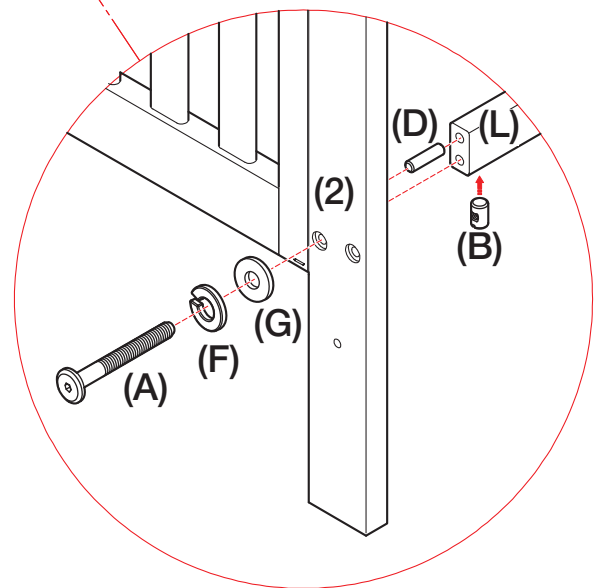
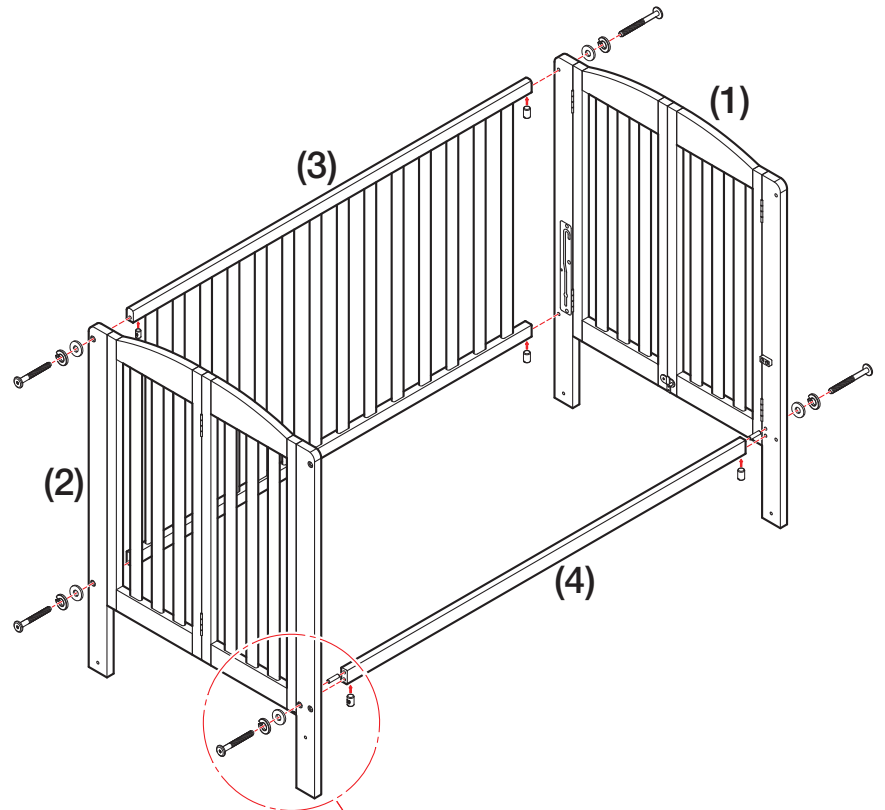


J Vis 5/8" (x3) **K** Vis 3/4" (x2) **L** Bloc en plastique (x1)

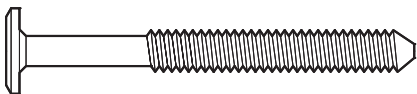


3

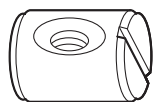
- 3a. Alignez le panneau avant (3) sur les panneaux latéraux assemblés, comme indiqué sur l'illustration.
- 3b. Placez les chevilles en bois (D) entre la barre de stabilisation (4) et les panneaux latéraux.
- 3c. Fixez les écrous (B) dans les encoches prévues sur le stabilisateur et le panneau avant.
- 3d. Positionnez la rondelle (G) et la rondelle élastique (F) dans les encoches prévues sur les pieds des panneaux latéraux. Fixer les boulons (A) dans les encoches de fixation des pièces.
- 3e. Serrez les boulons dans les écrous cylindriques à l'aide de la clé Allen (C) fournie.



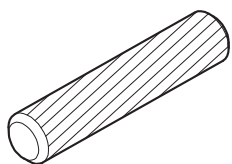
REMARQUE : Ne serrez pas trop les boulons.



A Boulon 2-1/8" (x6)



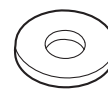
B Écrous de baril (x6)



D Chevilles en bois (x2)



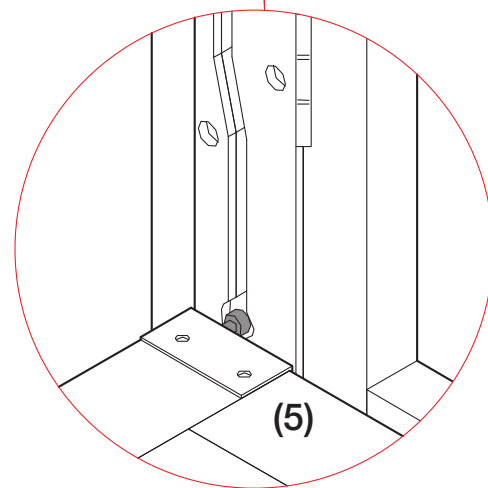
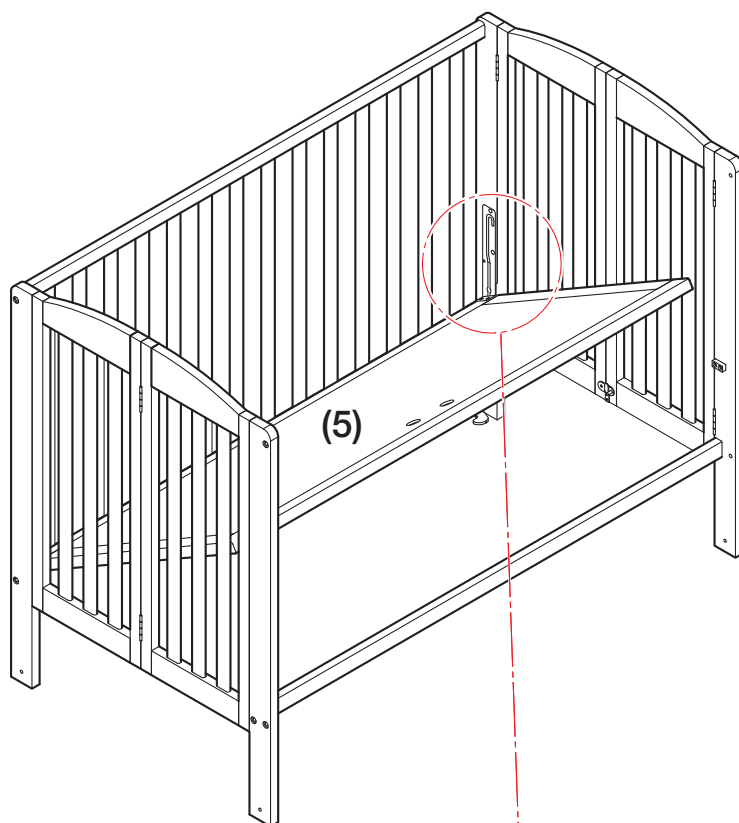
F Rondelle élastique (x6)



G Rondelle (x6)

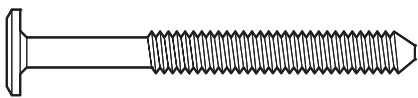
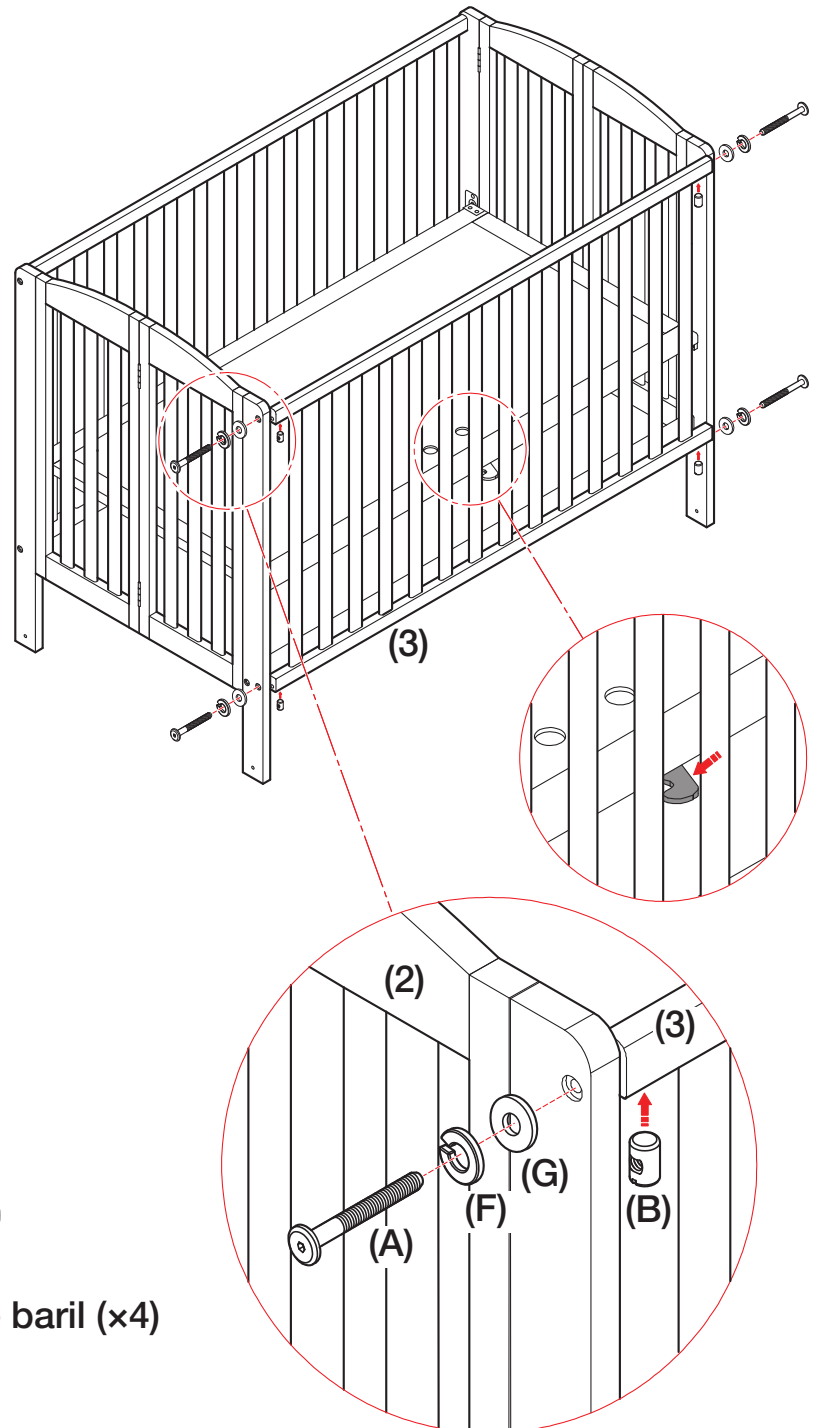
4

- 4a. Pour assembler la planche à matelas (5), placez les goupilles métalliques fournies sur la planche dans les encoches des panneaux latéraux.
- 4b. Déplacez la planche à matelas de haut en bas pour ajuster la hauteur du matelas au niveau requis.

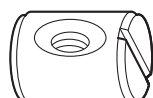


5

- 5a. Alignez le panneau arrière (3) sur les panneaux latéraux comme indiqué sur l'illustration.
- 5b. Fixez les écrous de baril (B) dans les encoches prévues à cet effet sur le panneau arrière.
- 5c. Positionnez la rondelle (G) et la rondelle élastique (F) sur les insertions prévues sur les pieds des panneaux latéraux.
- 5d. Fixez les boulons (A) dans les insertions prévues sur les pieds des panneaux latéraux. Serrez les boulons dans les écrous cylindriques à l'aide de la clé Allen (C) fournie.
- 5e. Verrouillez la planche à matelas en place en enclenchant la poignée de la planche sur le panneau arrière.



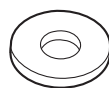
A Boulon 2-1/8" (x4)



B Écrous de baril (x4)



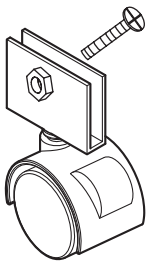
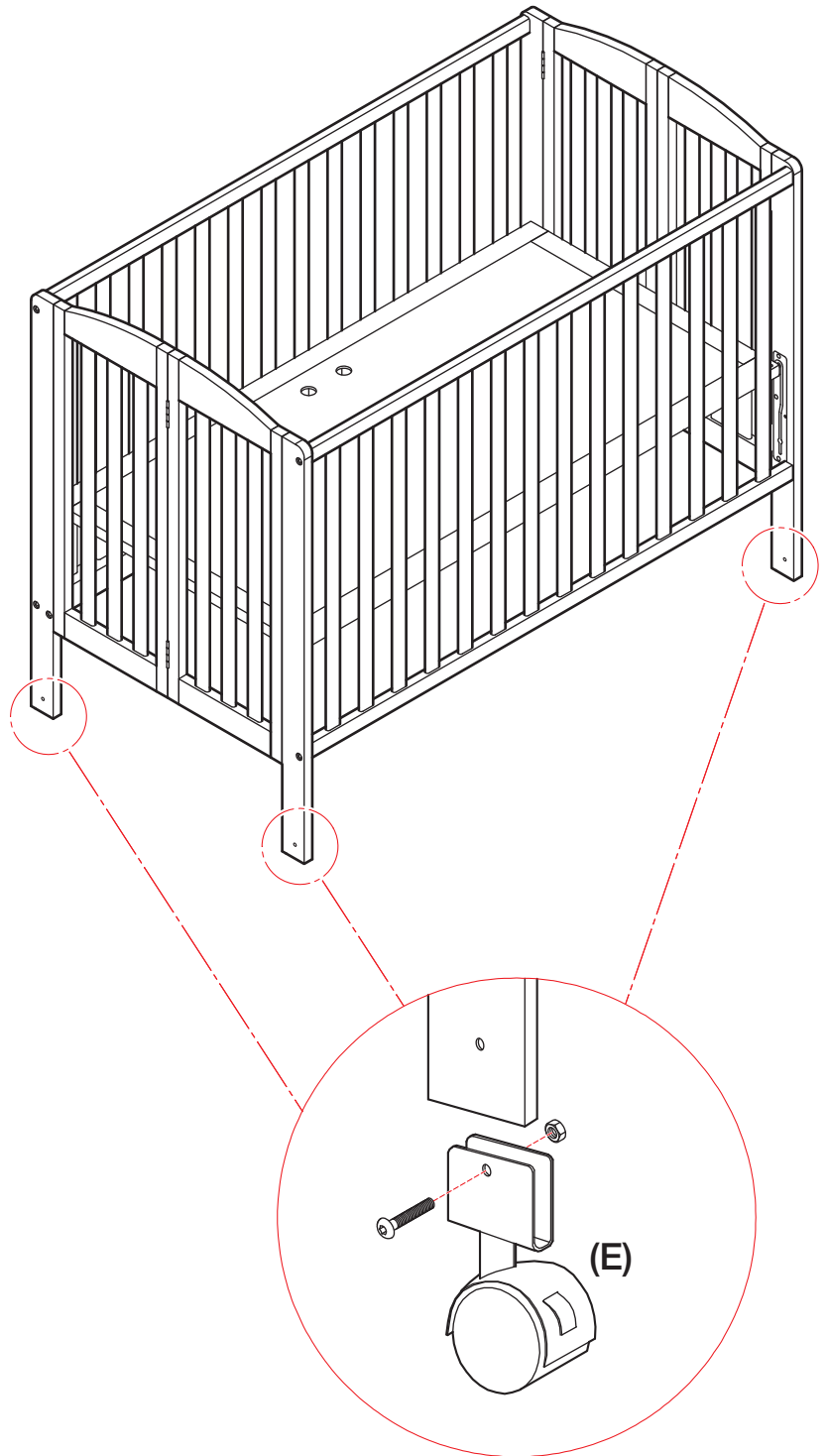
F Rondelle élastique



G Rondelle (x4)

6

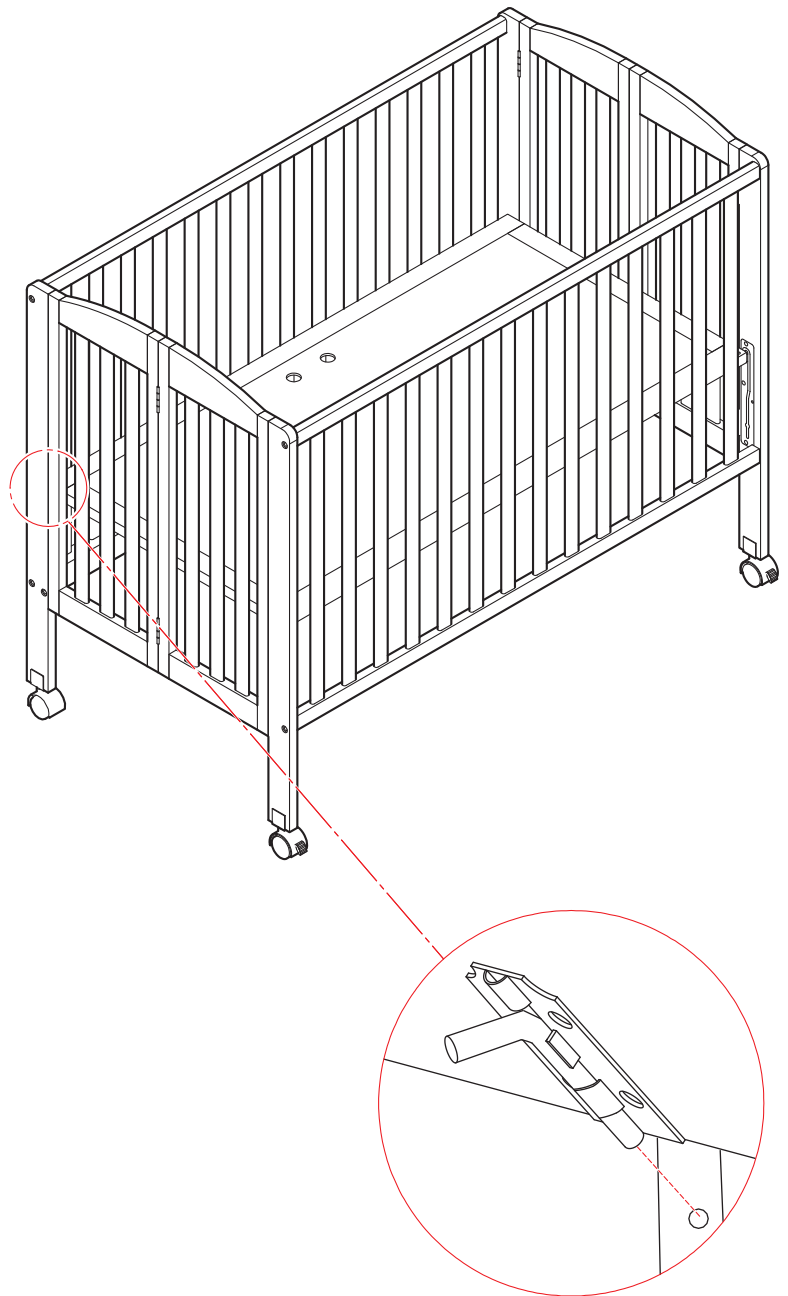
- 6a. Assemblez les roulettes (E) aux pieds du lit d'enfant comme indiqué sur l'illustration.
- 6b. Les roulettes avec frein doivent être fixées aux pieds avant du lit d'enfant.



E Roulettes (x4)

7

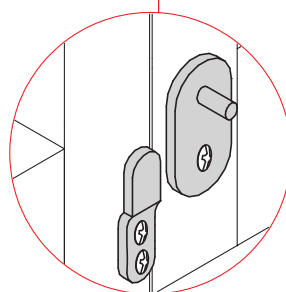
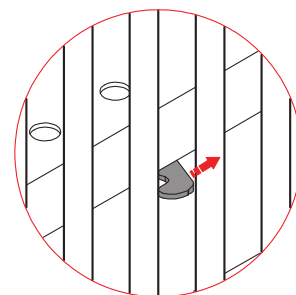
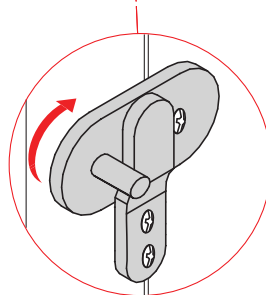
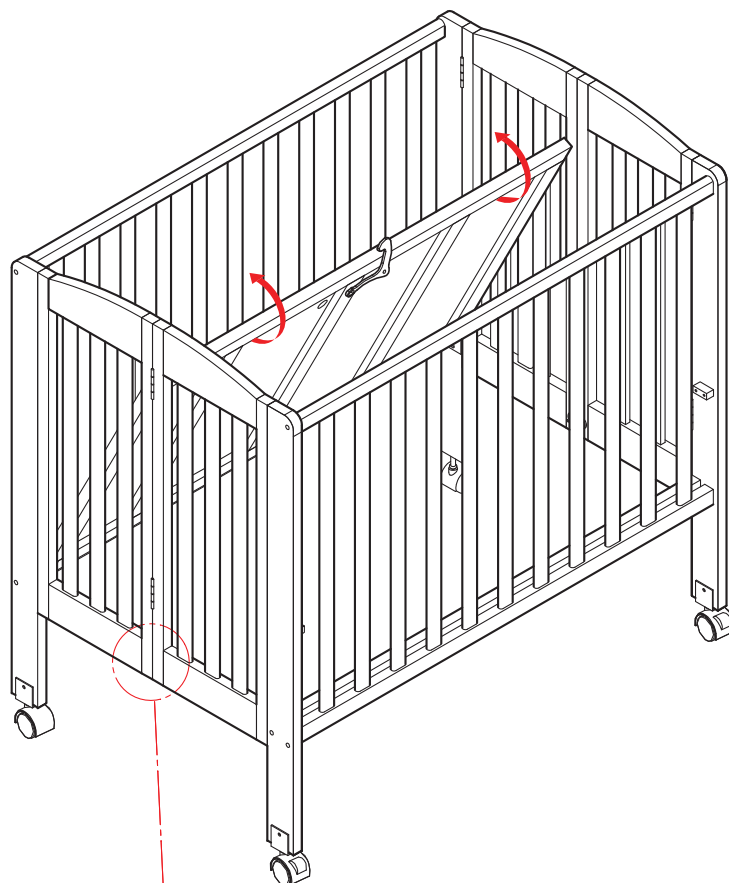
- 7a. Pour régler les niveaux de hauteur du matelas, utilisez vos deux mains pour soulever la planche à matelas.
- 7b. Faites glisser le boulon sous la planche à matelas pour maintenir le support de matelas fixe.



INSTRUCTIONS DE PLIAGE

1

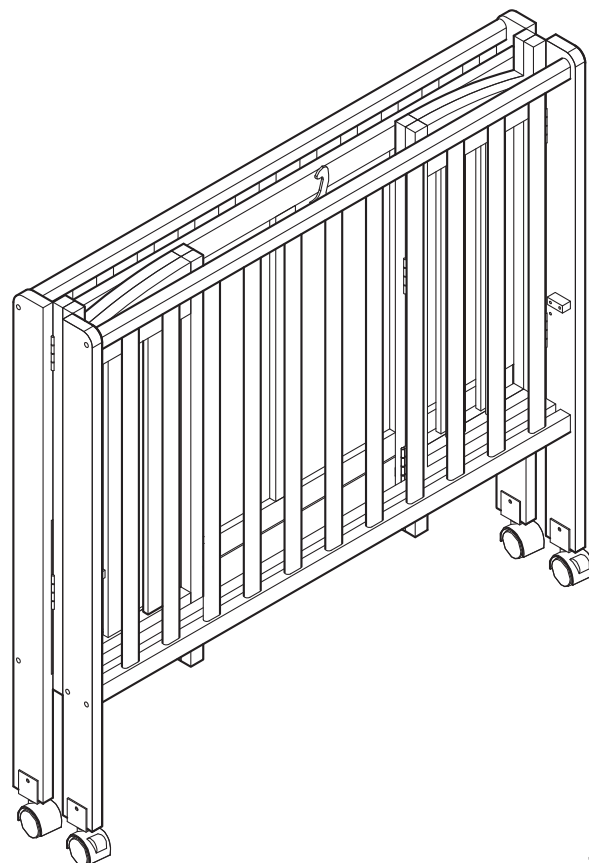
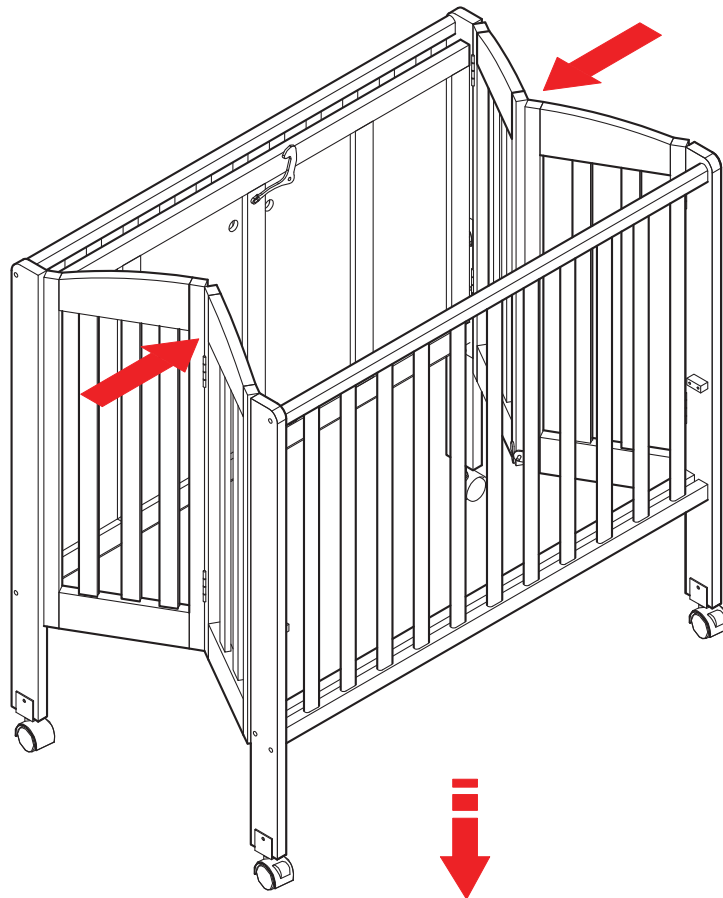
- 1a. Détachez la poignée de la planche à matelas du panneau arrière, comme le montre l'illustration.
- 1b. Soulevez la planche à matelas vers le panneau avant et enclenchez la poignée sur le panneau avant.
- 1c. Fixez la planche à matelas au panneau avant pour plier le lit d'enfant.
- 1d. Déverrouillez les loquets situés au bas des panneaux latéraux, comme illustré.



INSTRUCTIONS DE PLIAGE

2

- 2a. Pour plier le lit d'enfant, poussez les poignées des deux panneaux latéraux vers l'intérieur, comme illustré.
- 2b. Le lit d'enfant se plie à plat pour un rangement facile et compact.



INSTRUCTIONS POUR L'ENTRETIEN DU LIT D'ENFANT

CONTRÔLE DU CLIMAT DE LA PIÈCE :

- Le bois, lorsqu'il est coupé à l'origine, contient plus de 50 % d'eau. Lorsqu'il est préparé pour la construction de meubles, il est placé dans un four et son taux d'humidité est ramené à 8 ou 10 %. Le bois est poreux et réagit à son environnement. Si l'humidité de la pièce est élevée, il l'absorbera et se dilatera et si l'humidité est faible, il perdra de l'humidité et rétrécira.
- Il est important que le taux d'humidité de la pièce soit contrôlé pour éviter qu'il ne soit trop élevé ou trop bas. Les meubles ne doivent pas être placés près des sorties d'air conditionné, des cheminées, des radiateurs, des appareils de chauffage, des humidificateurs ou des déshumidificateurs. L'exposition à des variations extrêmes de température et d'humidité peut endommager tout produit en bois fin.

L'ENVIRONNEMENT IDÉAL POUR LES MEUBLES EN BOIS PRÉCIEUX :

- Les meubles en bois fin auront moins de problèmes si leur environnement est contrôlé à une température comprise entre 65 et 75 degrés et une humidité relative comprise entre 35 et 40 pour cent. Le bois placé dans un environnement en dehors de ces limites peut et va se rétracter ou se dilater et peut développer de petites fissures. Le bois placé dans un environnement en dehors de ces limites peut et va se rétracter ou se dilater et peut développer quelques petites fissures qui ne sont pas des défauts matériels ou structurels.

COLLER LES PORTES ET LES TIROIRS :

- Avec les changements mineurs de température et d'humidité, les portes et les tiroirs peuvent gonfler et être difficiles à ouvrir ou à fermer. Des tolérances ont été intégrées dans les unités, mais des conditions extrêmes peuvent tout de même provoquer des coincements. Ce phénomène reviendra à la normale avec le temps, mais en attendant, pensez à utiliser un déshumidificateur ou à frotter de la cire de bougie ou de la paraffine sur les côtés qui collent.

ÉVITEZ LA LUMIÈRE DIRECTE DU SOLEIL :

- Gardez les meubles à l'abri de la lumière directe du soleil. Les rayons ultraviolets décolorent les couleurs et, dans certains cas, les assombrissent. Ils peuvent également provoquer des craquelures ou des fissures dans le fini. Les finitions blanches jaunissent naturellement avec le temps et l'exposition à la lumière directe du soleil accélère ce processus naturel, de même que certains bois s'assombrissent naturellement avec le temps ; ceci n'est pas considéré comme un défaut de qualité.

STOCKAGE APPROPRIÉ :

- Si vous devez entreposer vos meubles pour une certaine période, ne les entreposez pas dans un sous-sol humide ou un grenier chaud et sec. Laissez l'air circuler autour du meuble et n'empilez rien dessus.

INSTRUCTIONS POUR L'ENTRETIEN DU LIT D'ENFANT (suite)

EN GÉNÉRAL :

- **Protégez la surface du meuble contre les objets chauds ou extrêmement froids.**
- **Utilisez des sous-verres sous les boissons chaudes ou froides.**
- **Ne pas utiliser de tissu synthétique sous les accessoires ou les lampes.**
- **Protégez les dessus des stylos, marqueurs et crayons.**
- **Les huiles des pots-pourris et autres articles parfumés peuvent endommager la finition des meubles.**
- **Ne faites pas glisser d'objets sur la surface du meuble.**
- **Laissez la surface respirer en faisant tourner vos accessoires et lampes.**
- **Ne polissez pas trop les meubles, ne le faites que deux ou trois fois par an. Un polissage excessif peut dénaturer la finition naturelle du produit.**
- **Ne cirez pas les meubles, car l'accumulation de cire peut détruire la finition naturelle du produit.**
- **Lorsque vous déplacez des meubles, soulevez toujours le meuble. Ne le poussez pas et ne le traînez pas pour éviter d'endommager les pieds.**
- **Maintenez le meuble de niveau afin que les portes et les tiroirs s'ouvrent et se ferment librement.**
- **Nettoyez avec un chiffon humide, non mouillé. Utilisez uniquement un savon doux. N'utilisez pas de nettoyeurs abrasifs.**
- **Ne rayez pas et n'écrasez pas la finition.**
- **Inspectez le produit périodiquement, contactez Dream On Me Inc pour des pièces de rechange ou des questions.**
- **Ne stockez pas le produit ou des pièces dans des températures et des conditions extrêmes telles qu'un grenier chaud ou un sous-sol humide et froid. Ces conditions extrêmes peuvent entraîner une perte d'intégrité structurelle.**
- **Pour préserver le lustre de la finition de haute qualité de votre produit, il est recommandé de placer un napperon ou un tampon de feutre sous tous les articles que vous posez sur la finition.**
- **Nettoyez à l'aide d'un chiffon humide, puis d'un chiffon sec pour préserver le lustre et la beauté d'origine de ce fini de qualité.**
- **N'utilisez pas de produits chimiques abrasifs.**
- **Ne vaporisez pas de nettoyeurs directement sur les meubles.**
- **Soulevez légèrement les meubles lorsque vous les déplacez sur un tapis afin d'éviter qu'ils ne se cassent les pieds.**
- **L'utilisation d'un vaporisateur près d'un meuble fera gonfler le bois et le fera peler.**

VOUS AVEZ RÉUSSI !

Félicitations à maman et papa !

Il est temps de créer la chambre de bébé de vos rêves. Un berceau sûr, élégant et fabriqué à la main qui grandit avec votre petit.



**1532 S. WASHINGTON AVENUE
PISCATAWAY, NJ 08854**
E-mail: info@dreamonme.com

www.dreamonme.com

**Suivez-nous @dreamonmeinc
pour que votre chambre d'enfant soit présentée sur nos médias sociaux**



**Participez à notre concours mensuel !
Scannez le code QR pour vous inscrire.**

**Chattez avec nous !
Scannez le code QR pour chatter en direct.**

