

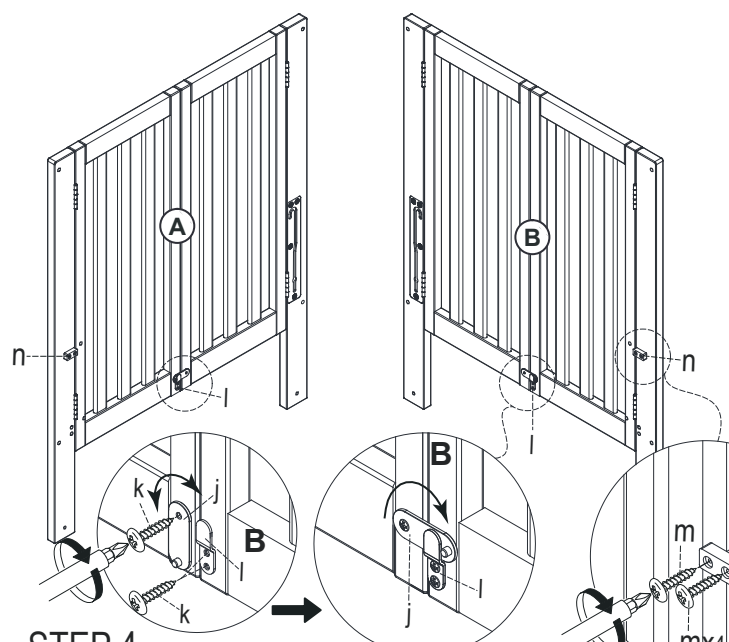


**Dream On Me Inc.**  
1532 S WASHINGTON AVE  
PISCATAWAY TWP NJ 08854  
Email: info@dreamonme.com  
www.dreamonme.com

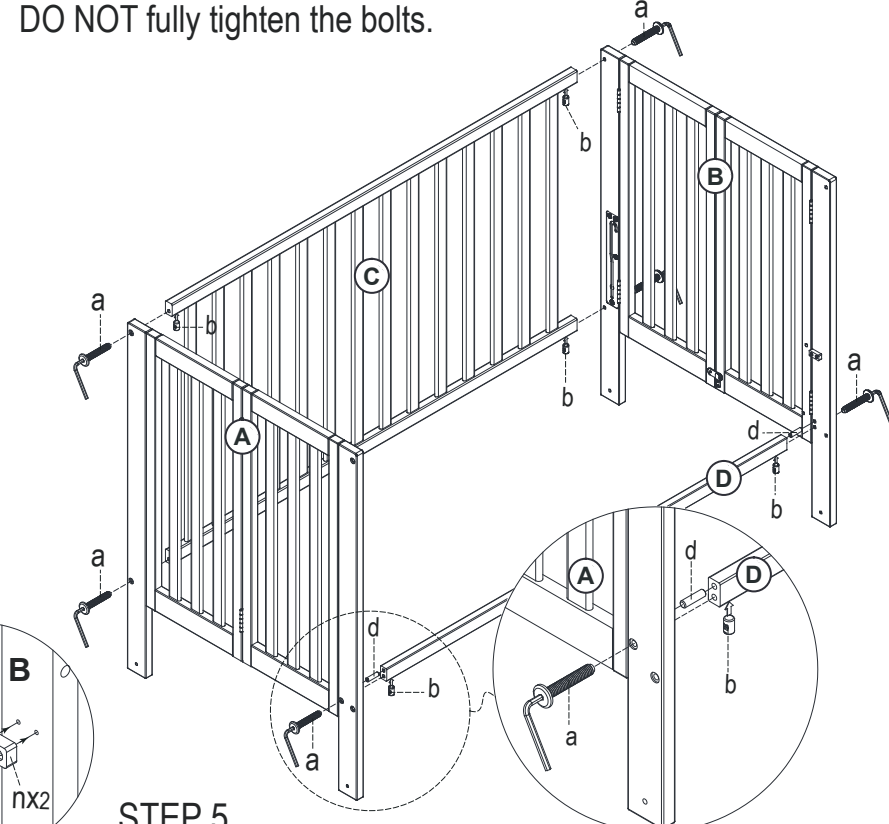
**STYLE NO / NUMÉRO DE MODÈLE:674**  
**PORTABLE CRIB / CÈCHE PORTABLE**  
**MFG DATE/ Date de Fabrication:May 2020**  
**MFG CODE BLY**  
**MADE IN CHINA / FAIT DANS LA CHINE**

**CAUTION: ANY MATTRESS USED IN THIS CRIB MUST BE AT LEAST 27 1/4 IN. (69CM) BY 51 5/8 IN. (131CM) WITH A THICKNESS NOT EXCEEDING 6 IN. (15CM) AND THE MINIMUM MATTRESS THICKNESS OF 4 IN.(10CM) USE A CRIB MATTRESS THAT IS NO THICKER THAN 15 CM THICK AND IS OF SUCH SIZE THAT, WHAT IT IS PUSHED FIRMLY AGAINST ANY SIDE OF THE CRIB, IT DOES NOT LEAVE A GAP OR MORE THAN 3CM BETWEEN THEN MATTRESS AND ANY PART OF THE SIDES OF THE CRIB.**

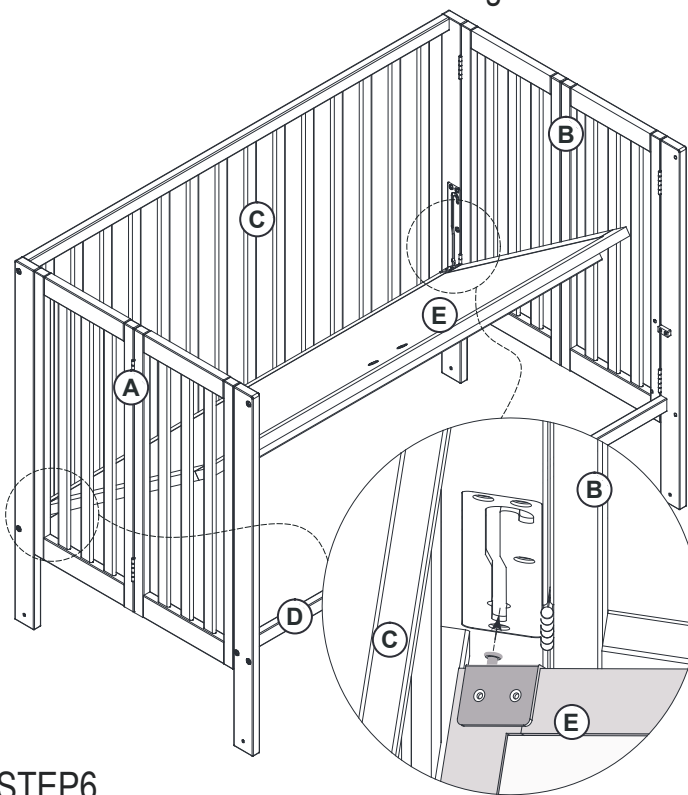
**STEP 1**  
Assemble latch (i & j) to the headboard (A & B) by using 5/8" screw (k).Then assemble plastic block(n) horizontal to the headboard (A&B) by using 3/4"screw (m).Tighten screws using phillips head screwdriver.Make sure that the latch on the bottom of each headboard (A&B) are locked.



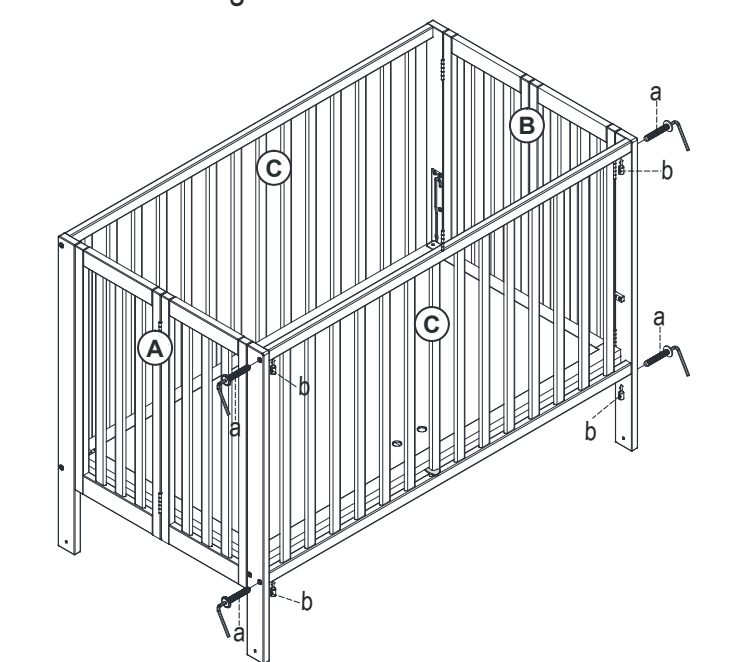
**STEP 2**  
Connect rail (C) and stabilizer bar (D)to the headboard ( A & B) by screws (a) and nuts (b),wood dowel (d), washer (g), washer (h). DO NOT fully tighten the bolts.



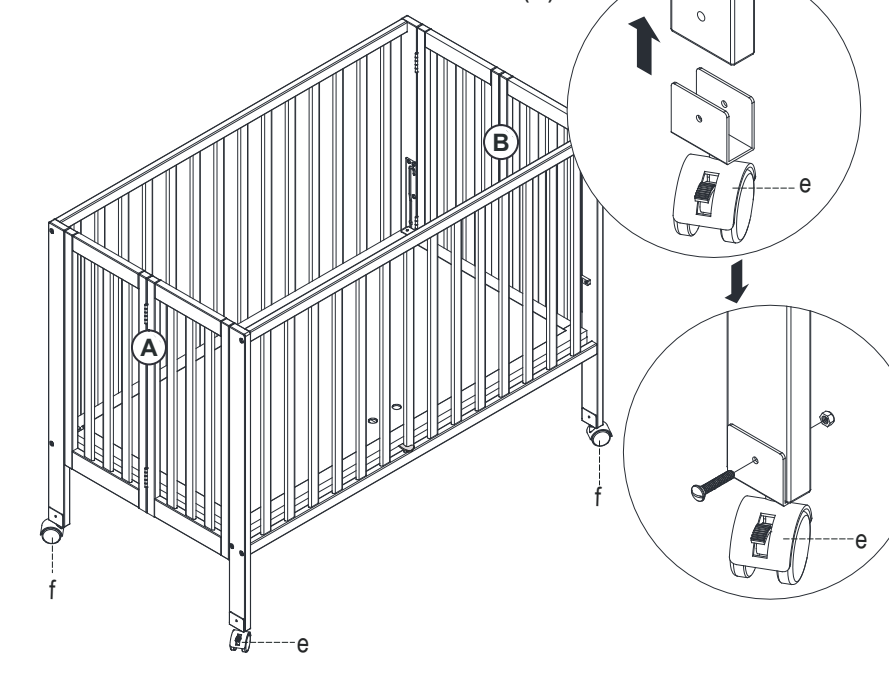
**STEP 3**  
Slot in the metal pin into the notch of left and right headboard side corner post.then move up and down o highest level.



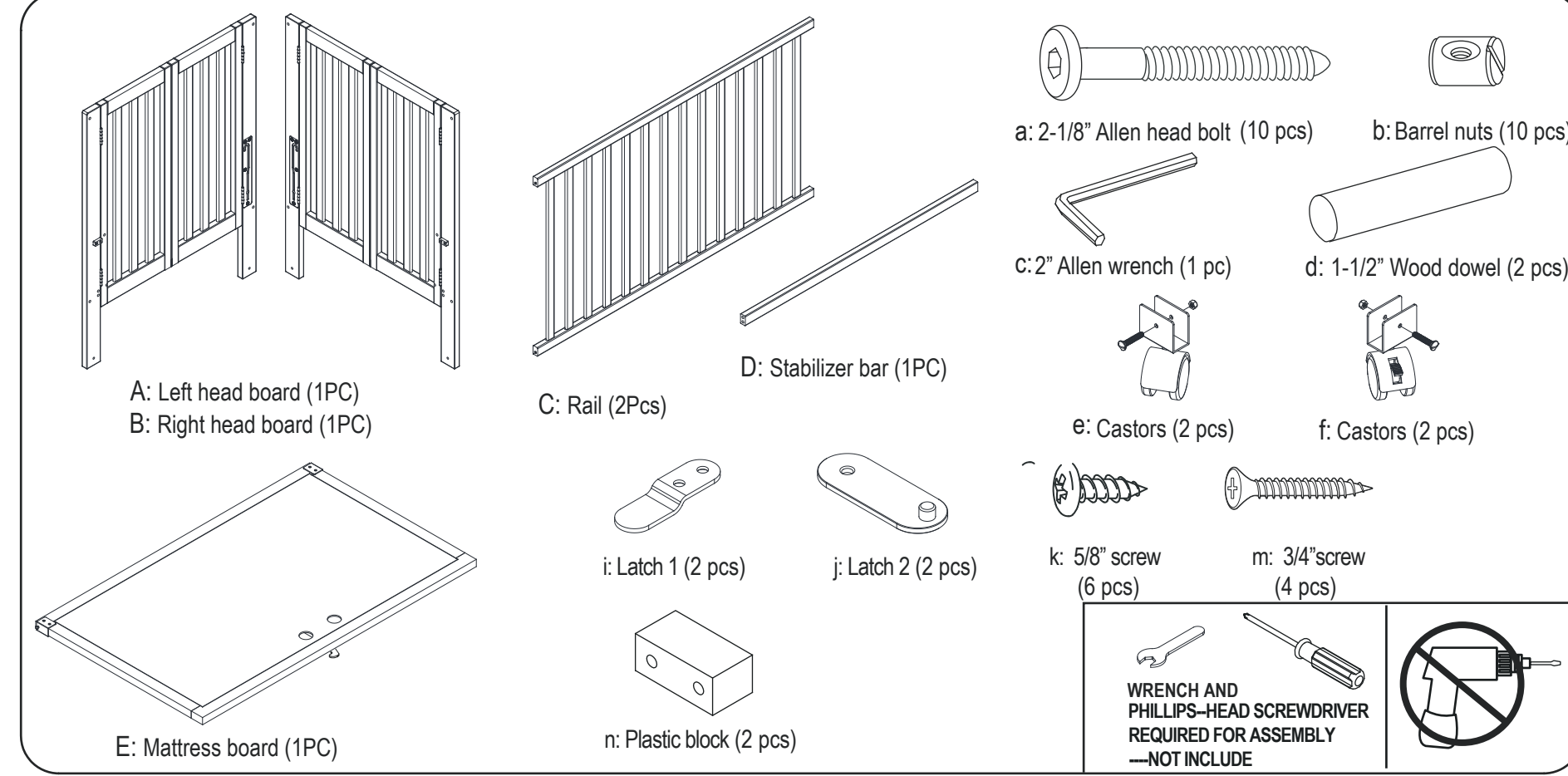
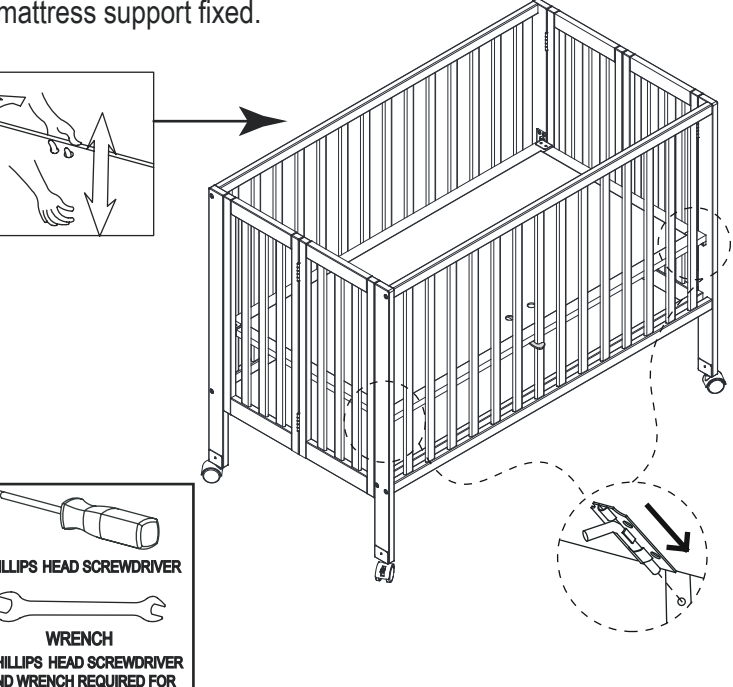
**STEP 4**  
Connect rail (C) to the headboard (A & B) by screws (a), nuts (b), washer (g) and washer (h). THEN FULLY tighten all the bolts.



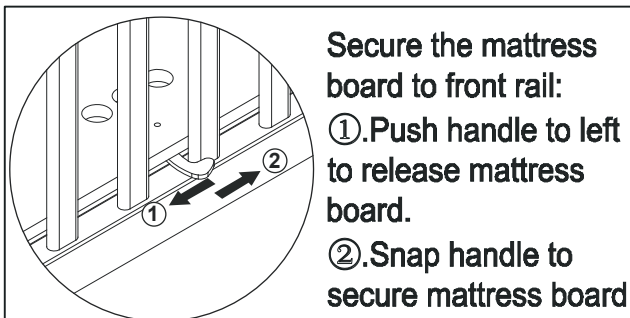
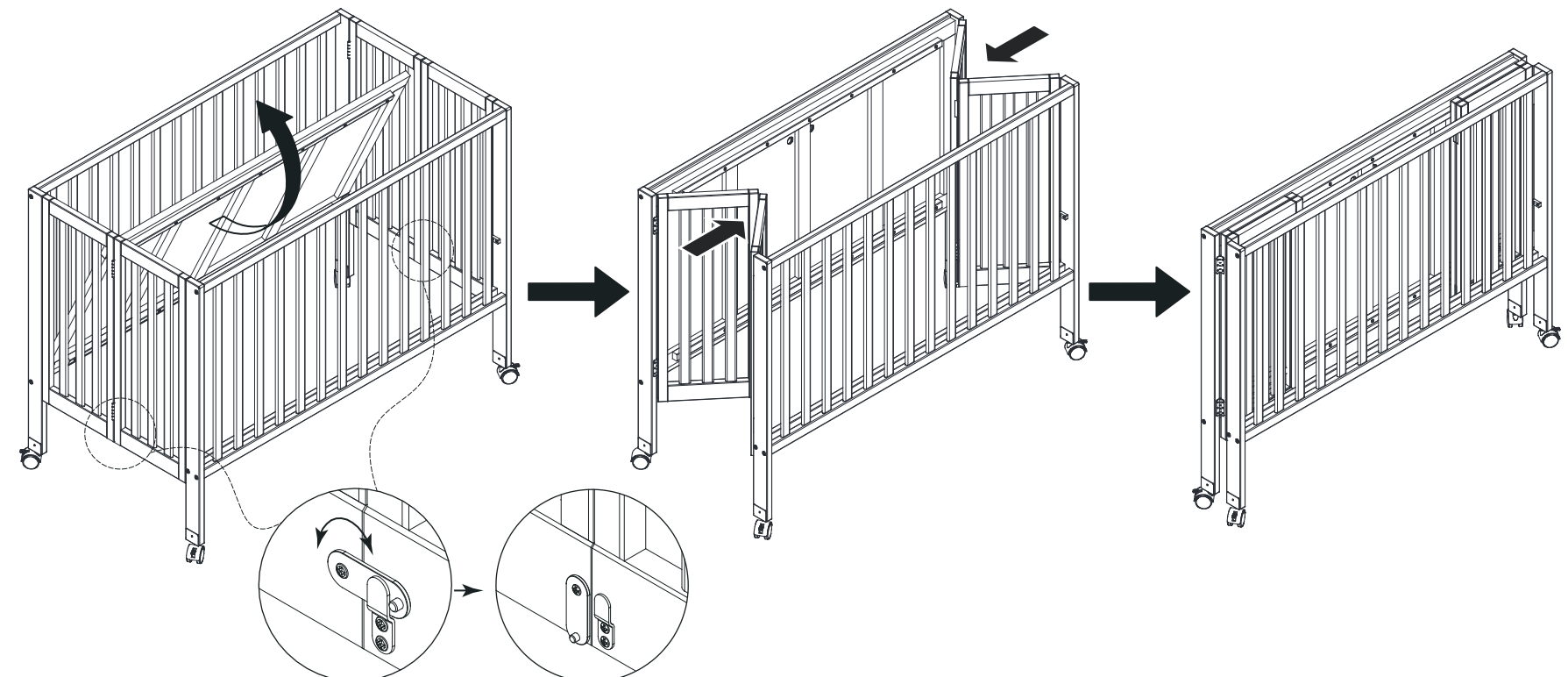
**STEP 5**  
Assemble castors (e&f) to the leg bottoms on the leg on headboard (A&B).2 castors (e) with brake are in the front.THEN add the mattress(F).



**STEP 6**  
Select the desire level,and use both hand to lift up the mattress base,then adjust the level to your require height of the 2 level. Slide in the bolt underneath the mattress board (E) to keep the mattress support fixed.



Follow bellow to fold the crib:  
1.take out the mattress (F)  
2.take out the mattress board (E)  
3.unlock the latch on the headboard  
4.fold the crib



**WARNING !**

DO NOT USE THIS CRIB IF YOU CANNOT EXACTLY FOLLOW THE ACCOMPANYING INSTRUCTIONS. INFANTS CAN SUFFOCATE ON SOFT BEDDING. NEVER ADD A PILLOW OR COMFORTER. NEVER PLACE ADDITIONAL PADDING UNDER A INFANT. FAILURE TO FOLLOW THESE WARNINGS AND THE ASSEMBLY INSTRUCTIONS COULD RESULT IN SERIOUS INJURY OR DEATH. READ ALL INSTRUCTIONS BEFORE ASSEMBLING CRIB. KEEP INSTRUCTIONS FOR FUTURE USE TO REDUCE THE RISK OF SIDS, PEDIATRICIANS RECOMMEND HEALTHY INFANTS TO BE PLACED ON THEIR BACKS TO SLEEP, UNLESS OTHERWISE ADVISED BY YOUR PHYSICIAN.

**STRANGULATION HAZARD** - STRINGS CAN CAUSE STRANGULATION! DO NOT PLACE ITEMS WITH A STRING AROUND A CHILD'S NECK,SUCH AS HOOD STRINGS OR PACIFIER CORDS. DO NOT SUSPEND STRINGS OVER A CRIB OR ATTACH STRINGS TO TOYS.

**STRANGULATION HAZARD** - TO HELP PREVENT STRANGULATION TIGHTEN ALL FASTENERS. A CHILD CAN TRAP PARTS OF THE BODY OR CLOTHING ON LOOSE FASTENERS

**STRANGULATION HAZARD** - DO NOT PLACE CRIB NEAR WINDOW WHERE CORDS FROM BLINDS OR DRAPES MAY STRANGLE A CHILD

**FALL HAZARD** - WHEN CHILD IS ABLE TO PULL TO A STANDING POSITION, SET MATTRESS TO LOWEST POSITION AND REMOVE BUMPER PADS, LARGE TOYS AND OTHER OBJECTS THAT COULD SERVE AS STEPS FOR CLIMBING OUT

**FALL HAZARD** - WHEN A CHILD IS ABLE TO CLIMB OUT OR REACHES THE HEIGHT OF 35IN.(89CM), THE CRIB SHALL NO LONGER BE USED.

**FALL HAZARD** - (FOR FOLDING SIDE CRIBS) AFTER RAISING SIDE, MAKE SURE LATCHES ARE SECURE.

**FALL HAZARD** - (FOR FOLDING SIDE CRIBS) DO NOT LEAVE CHILD IN CRIB WITH SIDE LOWERED. BE SURE SIDE IS IN RAISED AND LOCKED POSITION WHENEVER CHILD IS IN CRIB.

CHECK THIS PRODUCT FOR DAMAGED HARDWARE, LOOSE JOINTS, LOOSE BOLTS OR OTHER FASTENERS, MISSING PARTS OR SHARP EDGES BEFORE AND AFTER ASSEMBLY AND FREQUENTLY DURING USE. SECURELY TIGHTEN LOOSE BOLTS AND OTHER FASTENERS.

DO NOT USE CRIB IF ANY PARTS ARE MISSING, DAMAGED OR BROKEN. CONTACT DREAM ON ME INC., FOR REPLACEMENT PARTS AND INSTRUCTIONAL LITERATURE IF NEEDED. DO NOT SUBSTITUTE PARTS. FOLLOW WARNINGS ON ALL PRODUCTS IN A CRIB. DO NOT USE A WATER MATTRESS WITH THIS CRIB. IF REFINISHING, USE A NON-TOXIC FINISH SPECIFIED FOR CHILDREN'S PRODUCTS. NEVER USE PLASTIC SHIPPING BAGS OR OTHER PLASTIC FILM AS MATTRESS COVERS BECAUSE THEY CAN CAUSE SUFFOCATION. INFANTS CAN SUFFOCATE IN GAPS BETWEEN CRIB SIDES AND A MATTRESS THAT IS TOO SMALL. REPLACE TEETHING RAIL IF DAMAGED, CRACKED OR LOOSE

Scan the QR code to register your product  
<https://dreamonme.com/customercare/registration/>



MADE IN CHINA



1532, S. Washington Avenue  
Piscataway, NJ 08854  
E-mail: [info@dreamonme.com](mailto:info@dreamonme.com)

[www.dreamonme.com](http://www.dreamonme.com)

Follow us on



[@dreamonmeinc](https://www.facebook.com/dreamonmeinc)



[@dreamonmeinc](https://www.instagram.com/dreamonmeinc)

to get your nursery featured on our social media.

**Enter our monthly giveaway!**

Simply scan the QRcode to register.



**Chat with us!**

For any questions or concerns or feedback.



**DOM**  
FAMILY



**slumber baby**

  
sweetpea baby

**évolur**  
evolving with your baby