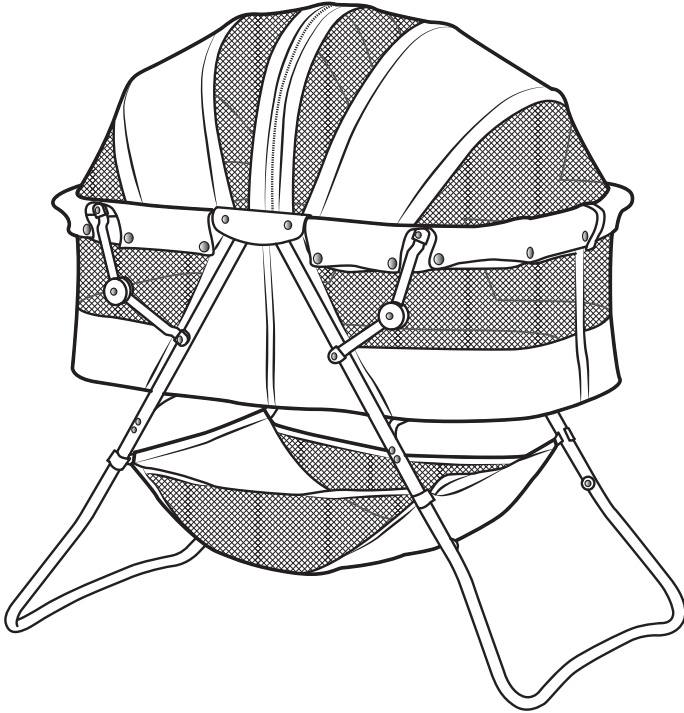


BASSINET

Owner's Manual



Scan the QR code to register your product

<https://dreamonme.com/customer-care/registration/>



Read all instructions before
assembling and using product.

IMPORTANT - Keep Instructions
for future use.



Thank You!

... for choosing Dream On Me and congratulations on joining our family; a family that has been transforming lives for 30 years!

We appreciate your feedback and wish you the very best in the coming years with your new addition. If you have any questions or concerns please don't hesitate to reach out to us. One of our trusted Customer Care representatives will be happy to assist you.

Thank you again for entrusting us to supply you with safe, and affordable baby products and accessories.

For further fun contest, giveaways, and offers follow us:



@dreamonmeinc



dreamonmeinc

Chat with us!

For any questions or concerns or feedback.

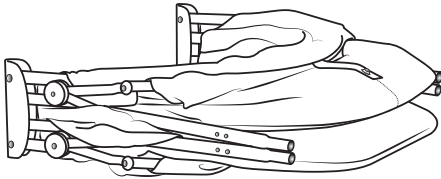
www.dreamonme.com/live-chat/



PARTS

Española: PARTS

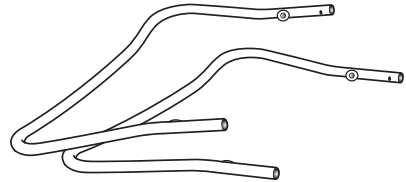
Française: PARTS



A Bassinet (x1)

Española - Bassinet (x1)

Française - Bassinet (x1)



B Legs (x2)

Española - Legs (x2)

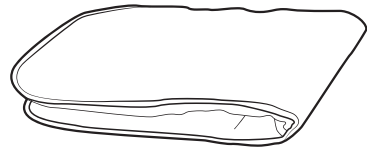
Française - Legs (x2)



C Basket (x1)

Española - Basket (x1)

Française - Basket (x1)



D Mattress Pad (x1)

Española - Mattress Pad (x1)

Française - Mattress Pad (x1)

Important! If there are any missing parts, please contact your local retailer before proceeding.

Española - Important! If there are any missing parts, please contact your local retailer before proceeding.

Française - Important! If there are any missing parts, please contact your local retailer before proceeding.

WARNINGS

WARNING

Failure to follow these warnings and the instructions could result in serious injury or death.

FALL HAZARD — To help prevent falls, do not use this product when the infant begins to push up on hands and knees or has reached 25 lbs weight or up to approximately 3 months, whichever comes first.

SUFFOCATION HAZARD! - Infants have suffocated:

- In gaps between extra padding and side of the bassinet, and
- On soft bedding.

Use **ONLY** the pad provided by Dream On Me. Never add a pillow, comforter, or another mattress for padding.

WARNING

To reduce the risk of SIDS, pediatricians recommend healthy infants be placed on their backs to sleep, unless otherwise advised by your physician.

WARNING

When the canopy is not in use, strap the hood after opening to prevent the canopy from falling into the bassinet presenting a risk of injury.

WARNING

If a sheet is used with the pad, use only the one provided by the bassinet manufacturer to fit the dimension of the bassinet mattress.

WARNING

- Strings and cords can cause strangulation!
- Do not place items with a string around child's neck such as hood strings, pacifier cords, etc.
- Do not suspend strings over the bassinet or attach strings to toys.

WARNING

- Please follow all of these instructions to ensure the safety of your child.
- Retain these instructions for future reference.
- Please read all instructions before using the bassinet.
- Never leave child unattended.
- Keep fingers (your and baby's) away from hinges when opening or closing the bassinet. Be certain the bassinet is locked in the open position before allowing your child near the bassinet.
- When using the bassinet, never place the product near edges of countertops, tables, or other high surfaces.
- Never allow your bassinet to be used as a toy.
- To clean use only mild household soap or detergent and warm water on a sponge or clean cloth.
- Check your bassinet for loose screws, worn parts, torn material or stitching on a regular basis. Replace or repair parts as needed.
- Discontinue use of the bassinet should it malfunction or become damaged or broken. Please contact our customer service parts hotline to arrange for repair or obtain replacement parts.
- The adult supervision is necessary for a child under up to approximately 3 months.
- The minimum range required for this item is around 1 square meter.

! ADVERTENCIA

Failure to follow these warnings and the instructions could result in serious injury or death.

FALL HAZARD — To help prevent falls, do not use this product when the infant begins to push up on hands and knees or has reached 25 lbs weight or up to approximately 3 months, whichever comes first.

SUFFOCATION HAZARD! **- Infants have suffocated:**

- In gaps between extra padding and side of the bassinet, and
- On soft bedding.

Use **ONLY** the pad provided by Dream On Me. Never add a pillow, comforter, or another mattress for padding.

! WARNING

To reduce the risk of SIDS, pediatricians recommend healthy infants be placed on their backs to sleep, unless otherwise advised by your physician.

! WARNING

When the canopy is not in use, strap the hood after opening to prevent the canopy from falling into the bassinet presenting a risk of injury.

! WARNING

If a sheet is used with the pad, use only the one provided by the bassinet manufacturer to fit the dimension of the bassinet mattress.

ADVERTENCIA

- Strings and cords can cause strangulation!
- Do not place items with a string around child's neck such as hood strings, pacifier cords, etc.
- Do not suspend strings over the bassinet or attach strings to toys.

WARNING

- Please follow all of these instructions to ensure the safety of your child.
- Retain these instructions for future reference.
- Please read all instructions before using the bassinet.
- Never leave child unattended.
- Keep fingers (your and baby's) away from hinges when opening or closing the bassinet. Be certain the bassinet is locked in the open position before allowing your child near the bassinet.
- When using the bassinet, never place the product near edges of countertops, tables, or other high surfaces.
- Never allow your bassinet to be used as a toy.
- To clean use only mild household soap or detergent and warm water on a sponge or clean cloth.
- Check your bassinet for loose screws, worn parts, torn material or stitching on a regular basis. Replace or repair parts as needed.
- Discontinue use of the bassinet should it malfunction or become damaged or broken. Please contact our customer service parts hotline to arrange for repair or obtain replacement parts.
- The adult supervision is necessary for a child under up to approximately 3 months.
- The minimum range required for this item is around 1 square meter.

! AVERTISSEMENT

Failure to follow these warnings and the instructions could result in serious injury or death.

FALL HAZARD — To help prevent falls, do not use this product when the infant begins to push up on hands and knees or has reached 25 lbs weight or up to approximately 3 months, whichever comes first.

SUFFOCATION HAZARD! **- Infants have suffocated:**

- In gaps between extra padding and side of the bassinet, and
- On soft bedding.

Use **ONLY** the pad provided by Dream On Me. Never add a pillow, comforter, or another mattress for padding.

! WARNING

To reduce the risk of SIDS, pediatricians recommend healthy infants be placed on their backs to sleep, unless otherwise advised by your physician.

! WARNING

When the canopy is not in use, strap the hood after opening to prevent the canopy from falling into the bassinet presenting a risk of injury.

! WARNING

If a sheet is used with the pad, use only the one provided by the bassinet manufacturer to fit the dimension of the bassinet mattress.

AVERTISSEMENT

- Strings and cords can cause strangulation!
- Do not place items with a string around child's neck such as hood strings, pacifier cords, etc.
- Do not suspend strings over the bassinet or attach strings to toys.

WARNING

- Please follow all of these instructions to ensure the safety of your child.
- Retain these instructions for future reference.
- Please read all instructions before using the bassinet.
- Never leave child unattended.
- Keep fingers (your and baby's) away from hinges when opening or closing the bassinet. Be certain the bassinet is locked in the open position before allowing your child near the bassinet.
- When using the bassinet, never place the product near edges of countertops, tables, or other high surfaces.
- Never allow your bassinet to be used as a toy.
- To clean use only mild household soap or detergent and warm water on a sponge or clean cloth.
- Check your bassinet for loose screws, worn parts, torn material or stitching on a regular basis. Replace or repair parts as needed.
- Discontinue use of the bassinet should it malfunction or become damaged or broken. Please contact our customer service parts hotline to arrange for repair or obtain replacement parts.
- The adult supervision is necessary for a child under up to approximately 3 months.
- The minimum range required for this item is around 1 square meter.

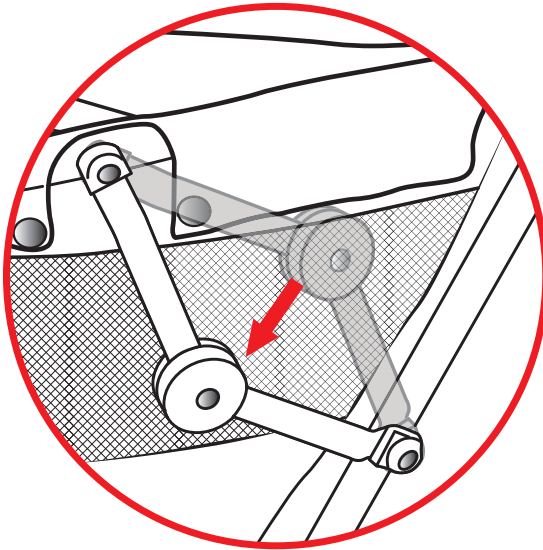
Safety Advice:

Keep the soft objects and bedding away from infants and do not use them in bassinets because they can inadvertently lead to suffocation. Furthermore, bedding has been associated with sudden infant death syndrome.

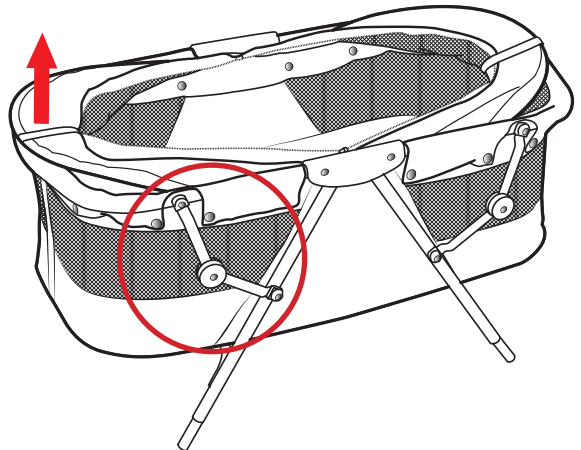
Bassinet Frame Setup

1

Española: Bassinet Frame Setup
Française: Bassinet Frame Setup



(A)



1. Unfold Bassinet (A), lift the top tube and press down on each frame spreader to lock.

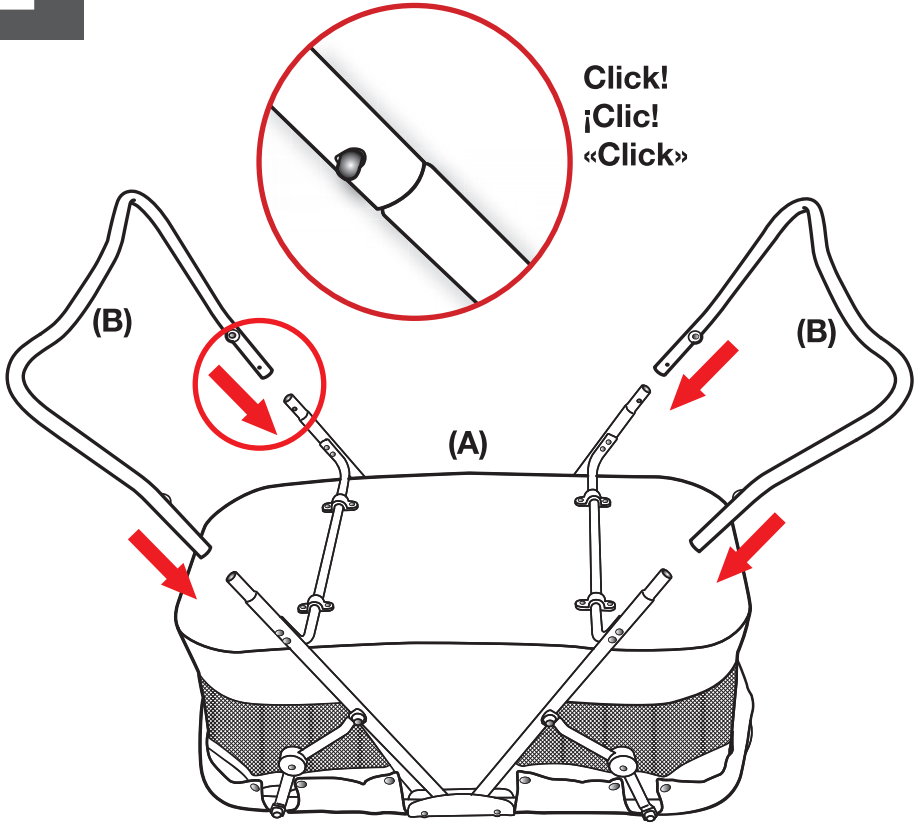
Española: 1. Unfold Bassinet (A), lift the top tube and press down on each frame spreader to lock.

Française: 1. Unfold Bassinet (A), lift the top tube and press down on each frame spreader to lock.

Bassinet Leg Assembly

2

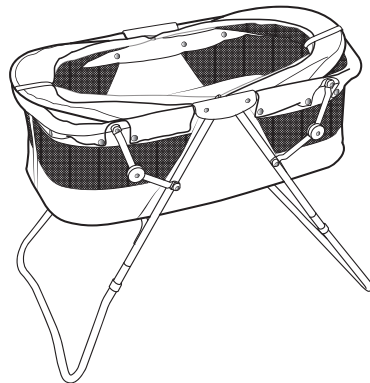
Española: Bassinet Leg Assembly
Française: Bassinet Leg Assembly

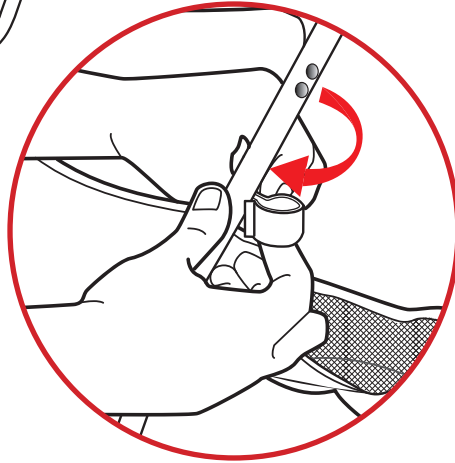
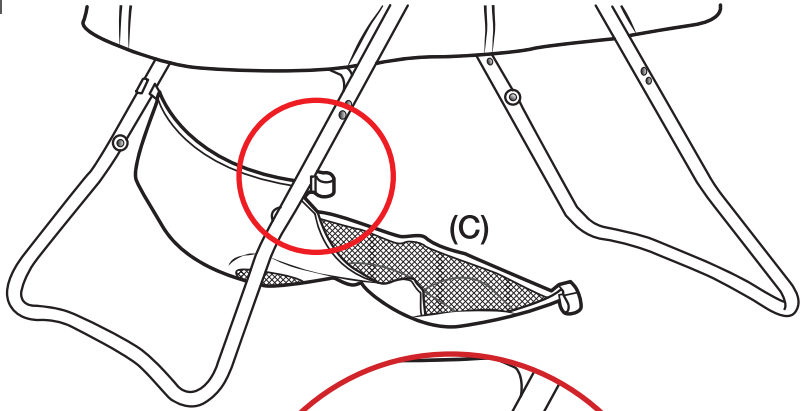


2. Assemble Legs (B) by pushing down until they "Click" lock onto the bassinet.

Española: 2. Assemble Legs (B) by pushing down until they "Click" lock onto the bassinet.

Française: 2. Assemble Legs (B) by pushing down until they "Click" lock onto the bassinet.

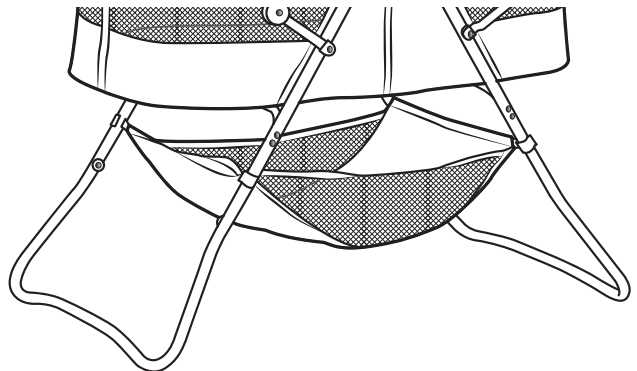


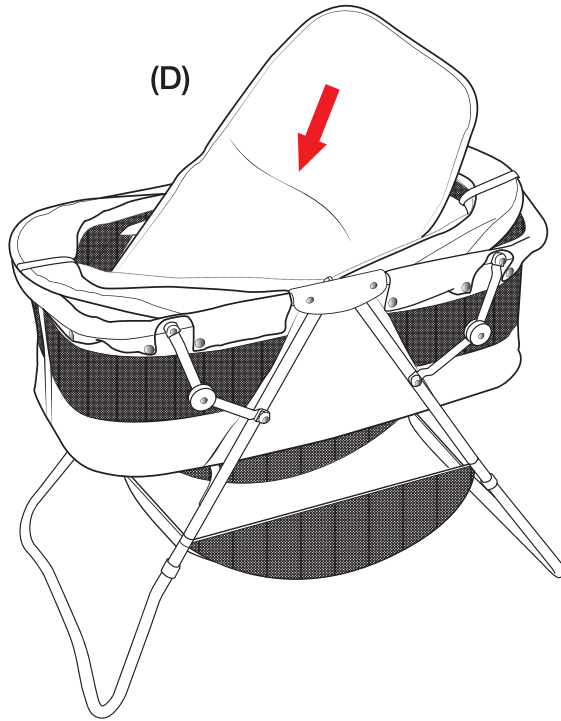


3. Attach Basket (C) to each of the legs using the plastic tube clips.

Española: 3. Attach Basket (C) to each of the legs using the plastic tube clips.

Française: 3. Attach Basket (C) to each of the legs using the plastic tube clips.

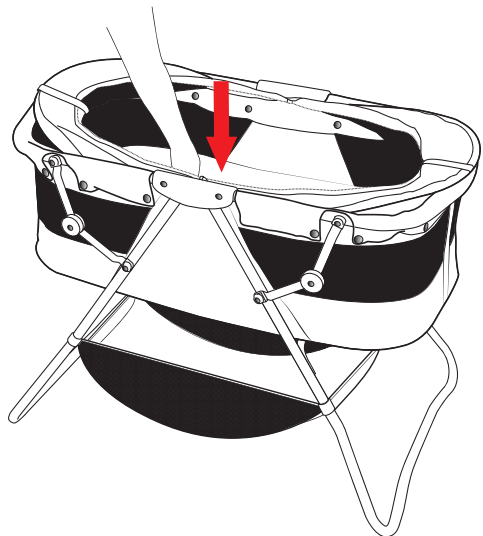




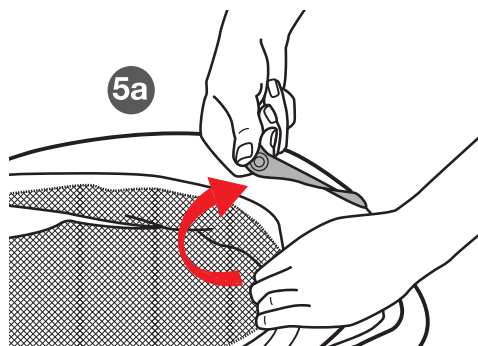
4a. Place Mattress Pad (D) inside the bassinet. Press down to make sure it is laying flat.

Española: 4a. Place Mattress Pad (D) inside the bassinet.
4b. Press down to make sure it is laying flat.

Française: 4a. Place Mattress Pad (D) inside the bassinet.
4b. Press down to make sure it is laying flat.

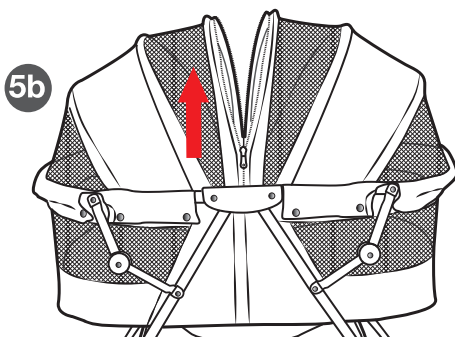


5a. Un-snap the strap at each end of the bassinets.
5b. Lift the canopy up and secure using zippers.



Española: 5a. Un-snap the strap at each end of the bassinets. 5b. Lift the canopy up and secure using zippers.

Française: 5a. Un-snap the strap at each end of the bassinets. 5b. Lift the canopy up and secure using zippers.

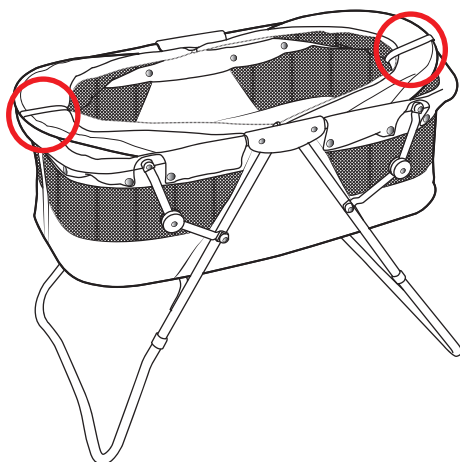


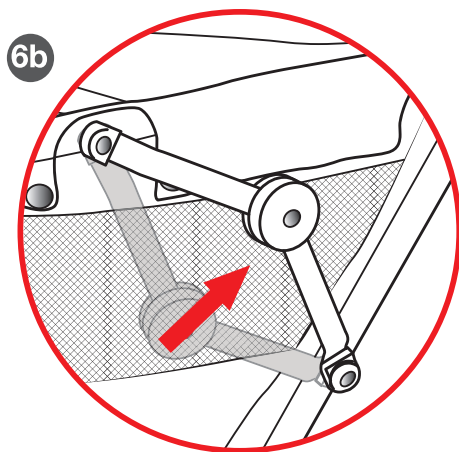
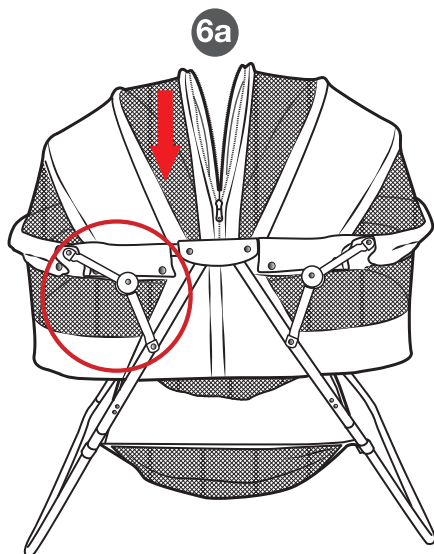
! WARNING ADVERTENCIA AVERTISSEMENT

When the canopy is not in use, strap the hood after opening to prevent the canopy from falling into the bassinet presenting a risk of injury.

Española: When the canopy is not in use, strap the hood after opening to prevent the canopy from falling into the bassinet presenting a risk of injury.

Française: When the canopy is not in use, strap the hood after opening to prevent the canopy from falling into the bassinet presenting a risk of injury.

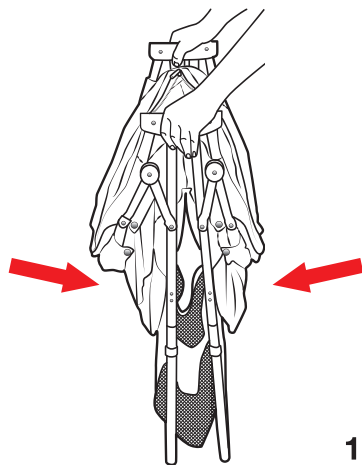




6a. Unzip the canopy. 6b. Pull up on all 4 frame spreaders to collapse and fold the bassinet.

Española: 6a. Unzip the canopy. 6b. Pull up on all 4 frame spreaders to collapse and fold the bassinet.

Française: 4a. 6a. Unzip the canopy. 6b. Pull up on all 4 frame spreaders to collapse and fold the bassinet.



CARE AND MAINTENANCE

Española: CARE AND MAINTENANCE

Française: CARE AND MAINTENANCE

Occasionally check your product for loose screws, worn parts, torn material or stitching. Replace or repair the parts as needed. Use only Dream On Me replacement parts.

- Keep this product in a cool dry place. If this product happens to get wet, wipe with a dry cloth and allow to air-dry completely.
- Excessive exposure to direct sunlight or heat could cause fading or warping of parts.
- To clean this product, wipe clean with damp cloth use only household soap and warm water. **NO BLEACH OR DETERGENT.**

Española: Occasionally check your product for loose screws, worn parts, torn material or stitching. Replace or repair the parts as needed. Use only Dream On Me replacement parts.

- Keep this product in a cool dry place. If this product happens to get wet, wipe with a dry cloth and allow to air-dry completely.
- Excessive exposure to direct sunlight or heat could cause fading or warping of parts.
- To clean this product, wipe clean with damp cloth use only household soap and warm water. **NO BLEACH OR DETERGENT.**

Française: Occasionally check your product for loose screws, worn parts, torn material or stitching. Replace or repair the parts as needed. Use only Dream On Me replacement parts.

- Keep this product in a cool dry place. If this product happens to get wet, wipe with a dry cloth and allow to air-dry completely.
- Excessive exposure to direct sunlight or heat could cause fading or warping of parts.
- To clean this product, wipe clean with damp cloth use only household soap and warm water. **NO BLEACH OR DETERGENT.**

CUSTOMER SUPPORT

Española: CUSTOMER SUPPORT

Française: CUSTOMER SUPPORT

If you live in the USA you can register your product online by visiting us at **www.dreamonme.com/registration** or return the registration card provided with your product.

Española: If you live in the USA you can register your product online by visiting us at **www.dreamonme.com/registration** or the return registration card provided with your product.

Française: If you live in the USA you can register your product online by visiting us at **www.dreamonme.com/registration** or the return registration card provided with your product.

If you have any questions or concerns, please contact us at:

Española: If you have any questions or concerns, please contact us at:

Française: If you have any questions or concerns, please contact us at:



Chat with us!

For any questions or concerns or feedback.

www.dreamonme.com/live-chat/



Website:

www.dreamonme.com

E-mail:

info@dreamonme.com



1532, S. Washington Avenue
Piscataway, NJ 08854
E-mail: info@dreamonme.com

www.dreamonme.com

Follow us on



[@dreamonmeinc](https://www.facebook.com/dreamonmeinc)



[@dreamonmeinc](https://www.instagram.com/dreamonmeinc)

to get your nursery featured on our social media.

Enter our monthly giveaway!

Simply scan the QRcode to register.



Chat with us!

For any questions or concerns or feedback.

