



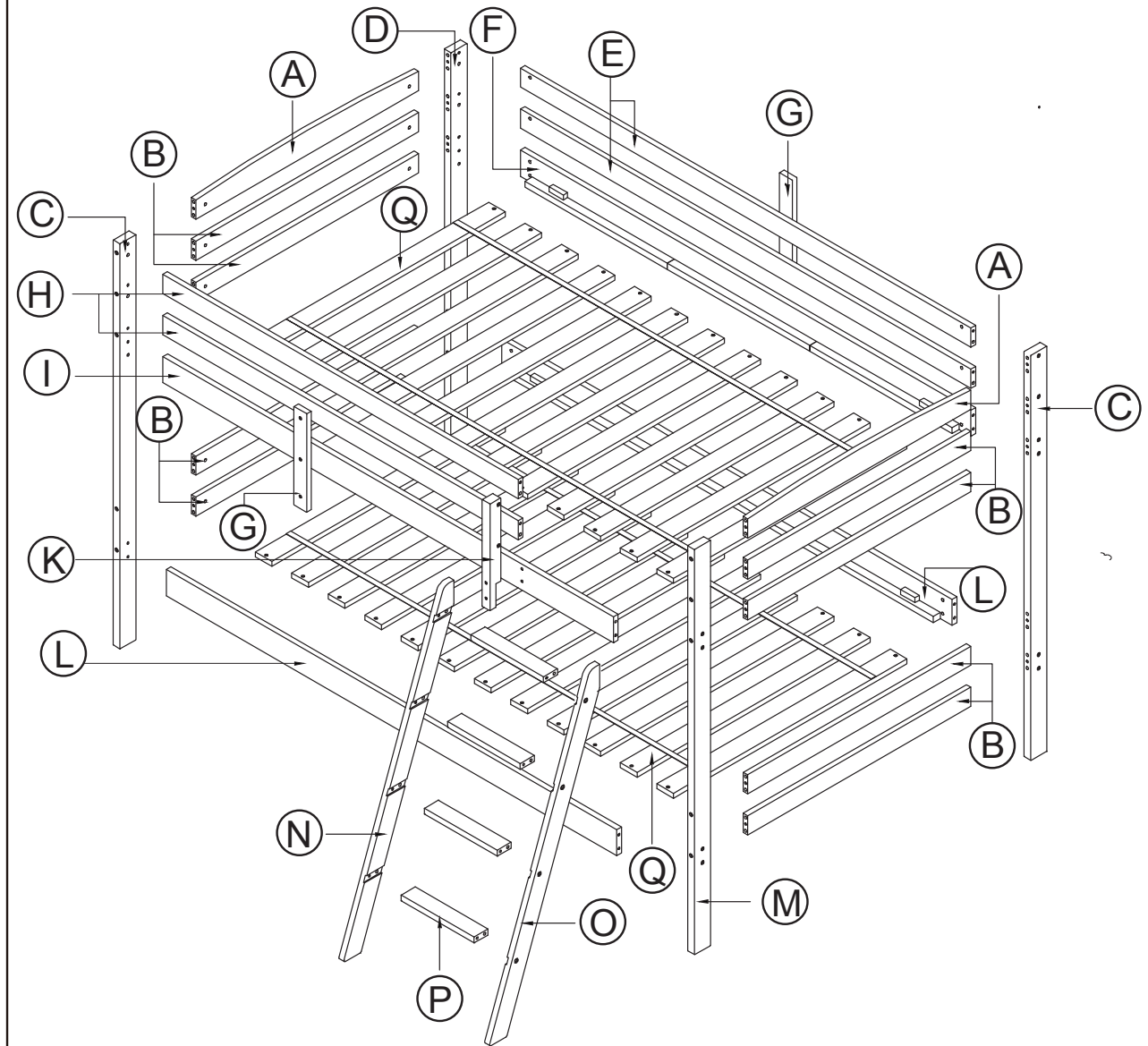
Assembly Instructions

For Bunk Bed

Dream On Me Inc., 125 Helen St., South Plainfield, NJ 07080, Tel: (908) 791-0555

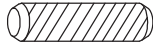

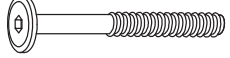
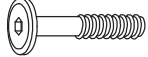


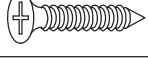
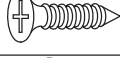
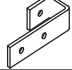


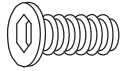

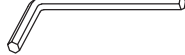
Model shown is example only. Styles may vary

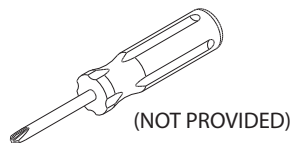
PARTS ENCLOSED IN CARTON



A S S E M B L Y I N S T R U C T I O N S (continued)

HARDWARE AND TOOL DIAGRAM

| <i>CODE</i> | <i>DESCRIPTION</i> | <i>LENGTH</i> | <i>Q'TY</i> |
|-------------|---|---------------|-------------|
| 1 | Dowel  | 1-5/8" | 56 pcs |
| 2 | Bolt  | 4-3/4" | 20 pcs |
| 3 | Bolt  | 3-1/8" | 24 pcs |
| 4 | Bolt  | 1-3/8" | 8pcs |
| 5 | Barrel nut  | - - - - | 44 pcs |
| 6 | Wood Screw  | 2" | 8 pcs |
| 7 | Wood Screw  | 1-1/8" | 48pcs |
| 8 | Wood Screw  | 3/4" | 14pcs |
| 9 | Hooks  | - - - - | 2pcs |
| 10 | Foam Stick  | - - - - | 2pcs |
| 11 | Bracket  | - - - - | 4pcs |
| 12 | Bolts  | 3/4" | 4pcs |
| 13 | Flat Washer  | - - - - | 4pcs |
| 14 | Allen Key  | - - - - | 1pc |



Furniture Care Instructions

Room Climate Control

Wood, when first cut contains more than 50 percent water. When it is prepared for furniture construction it is placed in a Kiln and the moisture content is brought down to 8 to 10 percent. Wood is porous and responds to its environment. If the room has high humidity it will absorb it and expand and if the humidity is low it will lose moisture and shrink.

It is important that the humidity levels in the room be controlled from extremes of too much humidity or too little. Furniture should not be placed close to air-conditioning outlets, fire places, radiators, space heaters, humidifiers or dehumidifiers. Exposure to extreme variations of temperature and humidity can damage any fine wood product.

The Ideal Environment for Fine Furniture

Fine wood furniture will have fewer problems when its environment is controlled at a temperature between 65 and 75 degrees and a relative humidity between 35 and 40 percent. Wood placed in an environment outside of those limits can and will shrink or expand and may develop some small cracks which are not material or structural defects.

Sticking Doors and Drawers

With the minor changes in temperature and humidity doors and drawers may swell and be difficult to open or close. Tolerances have been built into the units but extreme conditions may still cause sticking. This will adjust back to normal over time but until it does consider using a dehumidifier or rub candle wax or paraffin on the sides that stick.

Avoid Direct Sunlight

Keep the furniture out of direct sunlight. Ultraviolet rays will fade colors and in some cases darken them. It can also cause crazing or hair line cracks in the finish. White finishes will yellow naturally over time and exposure to direct sunlight will hasten this natural process along with some woods darkening naturally over time; this is not considered to be a quality defect.

Proper Storage

If you need to put your furniture in storage for any period of time do not store them in a damp basement or hot dry attic. Allow air movement around the furniture and do not stack anything on it.

In General

- Protect furniture surface from hot or extremely cold items.
- Use coasters under hot or cold beverages
- Do not use synthetic fabric under accessories or lamps
- Protect tops from pens, markers and crayons
- Oils from potpourri and other scented items can damage the furniture finish.
- Do not drag items across the surface of the furniture.
- Allow the surface to breath by rotating your accessories and lamps.
- Do not over polish the furniture, do it only two or three times a year. Over polishing can distort the natural finish of the product.
- Do not wax the furniture as wax build up can destroy the natural finish of the product.
- When moving furniture always lift the unit. Do not push or drag it to avoid damage to legs
- Keep the furniture level so doors and drawers open and close freely.
- Clean with a damp, not wet, cloth. Use only a mild soap. Do not use abrasive cleaners.



WARNING!

- * Never allow a child under 6 years on upper bunk.
- * Use only mattress which is 75" long and 39" wide on twin size upper bunk.
- * Must use Bunky mattress or Bunky board which is 75" long and 39" wide on twin size upper bunk.
- * Ensure thickness of mattress and foundation combined does not exceed 6" and mattress is at least 5" below upper edge of guardrails.
- * Periodically check and ensure that the guardrail, ladder, and other components are in their proper position, free from damage, and that all connectors are tight.
- * Prohibit horseplay on or under bed(s)
- * Prohibit more than one person on upper bunk.
- * Prohibit jumping on the bed.
- * Always use the ladder for entering and leaving the upper bunk.
- * Do not use substitute parts. Contact the dealer for replacement parts.
- * Use of a night light may provide added safety precaution for a child using the upper bunk.
- * Always use guardrails on both long sides of the upper bunk. If the bunk bed will be placed next to the wall, the guardrail that runs the full length of the bed should be placed against the wall to prevent entrapment between the bed and wall.
- * The use of water or sleep flotation mattresses is prohibited.
- * Do not exceed 150 lbs on upper bunk.
- * Weight limitation: 150 lbs
- * Follow the information on the warnings appearing on the upper bunk end structure and on the carton.
- * Do not remove warning label from the bed.
- * Strangulation hazard: never attach or hang items to any part of the bunk bed that are not designed for use with the bed; for example, but not limited to, hooks, belts, and jump ropes.
- * Keep these instructions for future reference

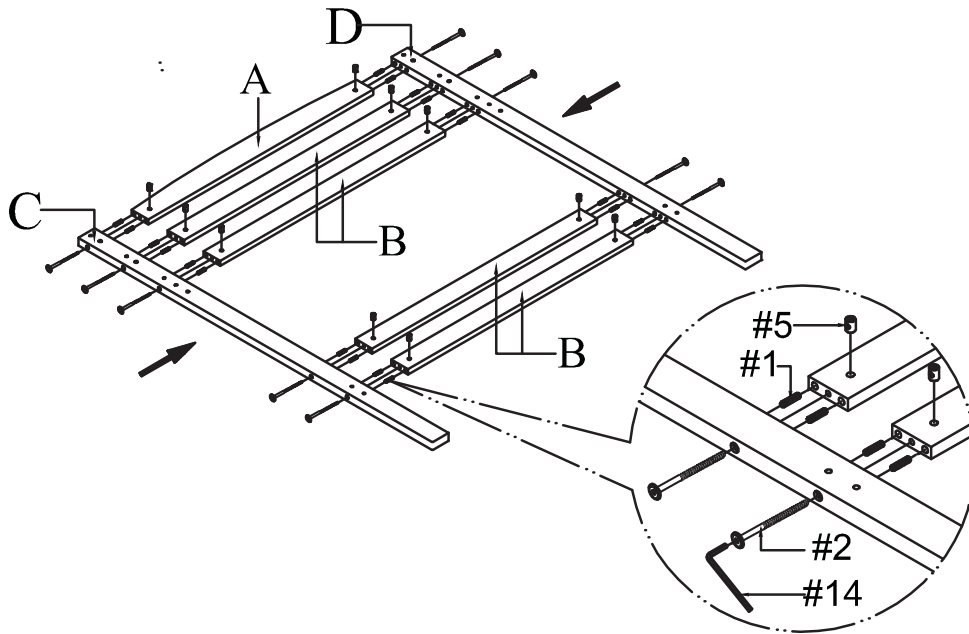
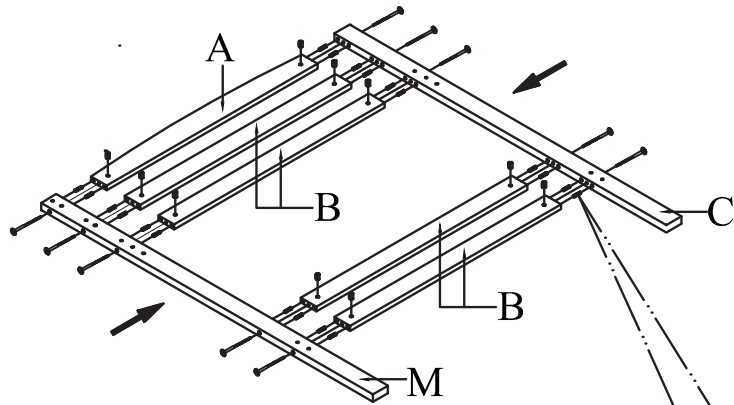
ASSEMBLY INSTRUCTIONS (continued)

STEP 1

1  x 40

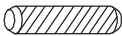

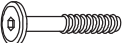

2  x 20

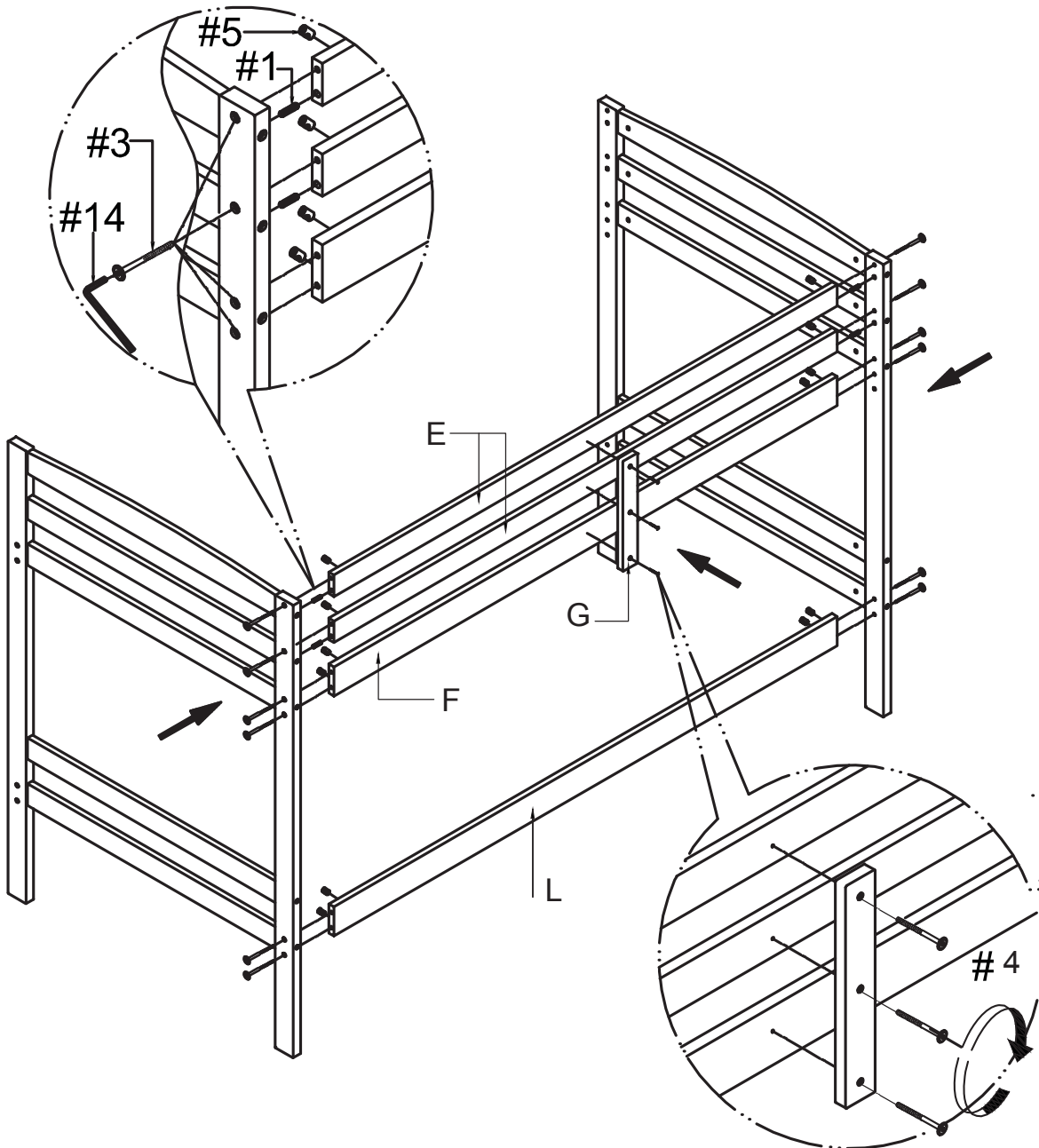
5  x 20



ASSEMBLY INSTRUCTIONS (continued)


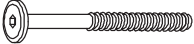
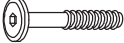

STEP 2

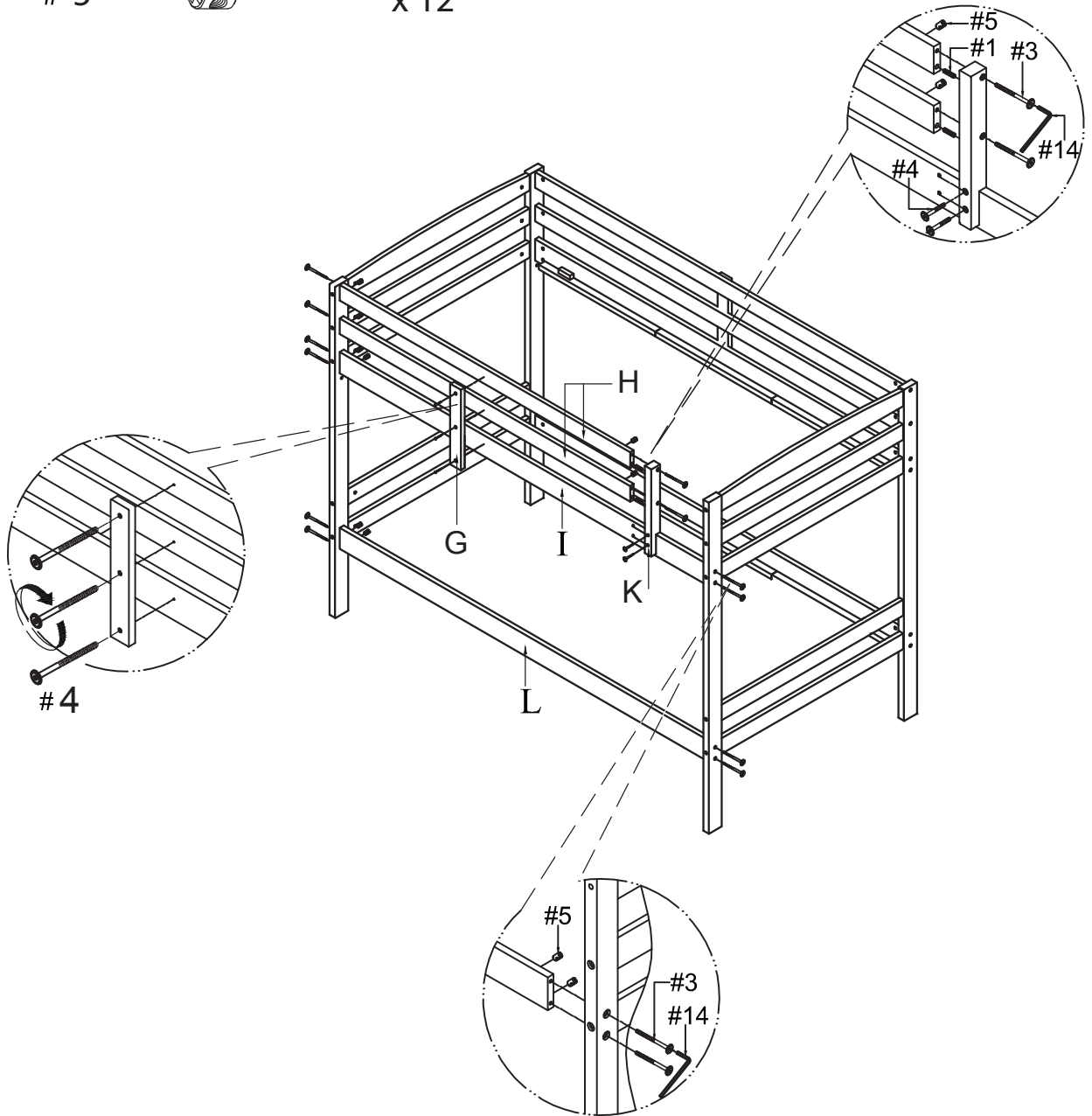
- # 1  x 4
- # 3  x 12
- # 4  x 3
- # 5  x 12



ASSEMBLY INSTRUCTIONS (continued)




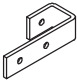

STEP 3

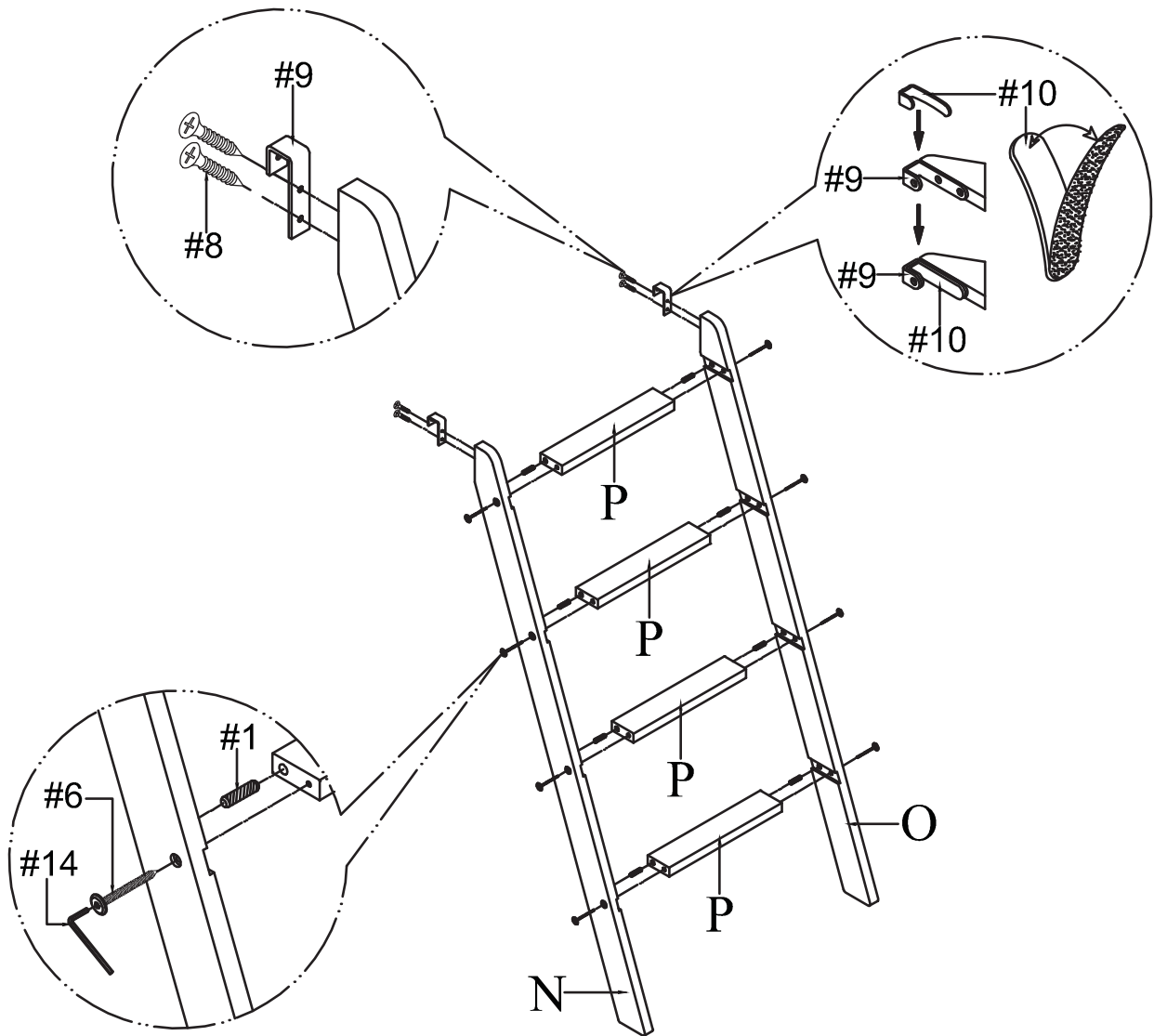
- # 1  x 4
- # 3  x 12
- # 4  x 5
- # 5  x 12



ASSEMBLY INSTRUCTIONS (continued)

STEP 4

- | | | |
|------|---|-----|
| # 1 |  | x 8 |
| # 6 |  | x 8 |
| # 8 |  | x 4 |
| # 9 |  | x 2 |
| # 10 |  | x 2 |



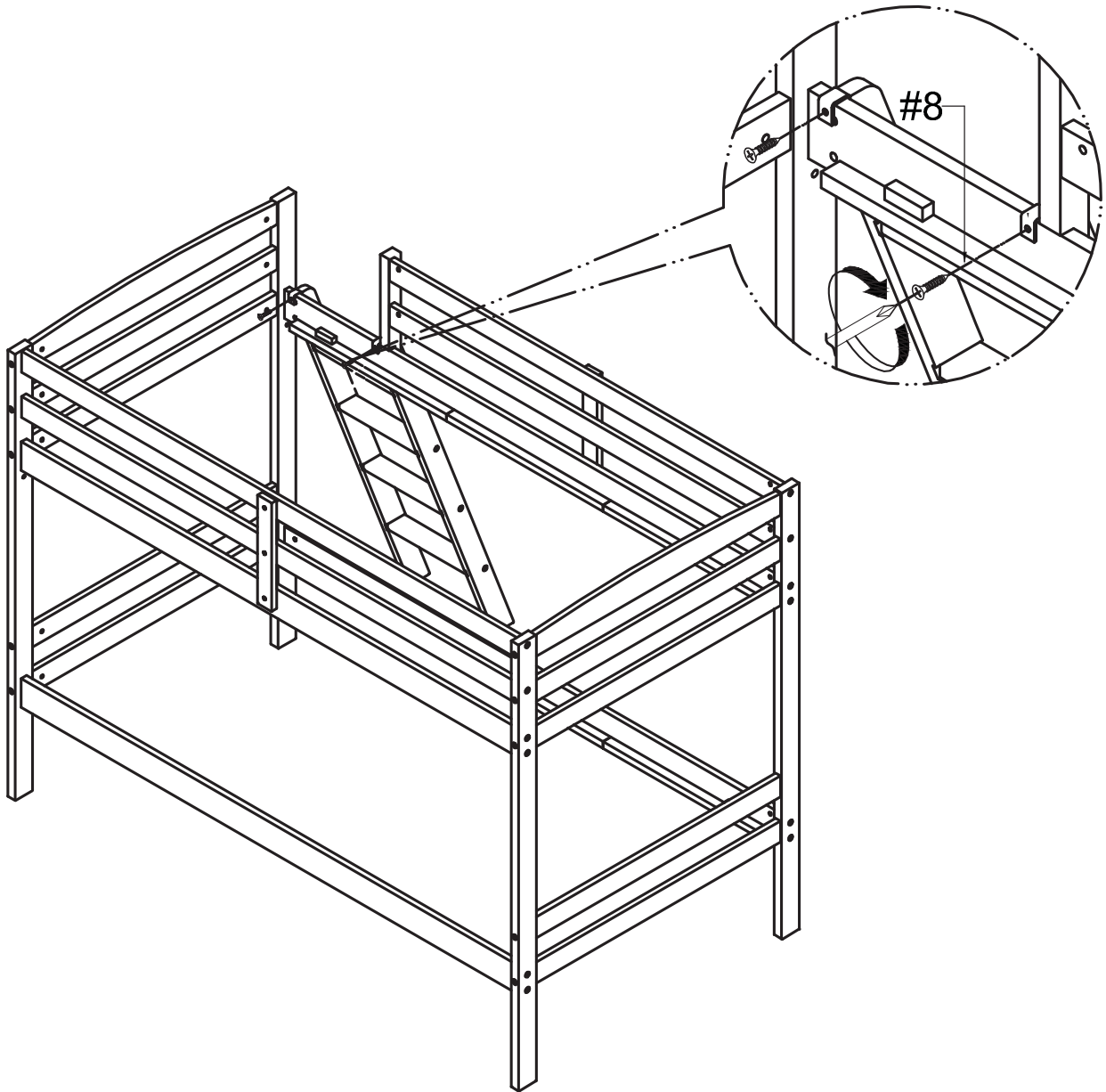
ASSEMBLY INSTRUCTIONS (continued)

STEP 5

8








x 2



ASSEMBLY INSTRUCTIONS (continued)

STEP 6

- # 7  x 48
- # 8  x 8
- # 11  x 4
- # 12  x 4
- # 13  x 4

