

Dream On Me Inc.
1532 S Washington Ave
Piscataway Township
NJ 08854

Email: info@dreamonme.com
www.dreamonme.com



ASSEMBLY INSTRUCTIONS

ITEM NO: 645

Adult assembly required

Small parts may present choking hazard prior to assembly.

Enclosed please find simple step-by-step instructions to help you quickly assemble your products. Before you begin we recommend that you following the steps below:

1. Please read the instructions thoroughly.
2. Identify all parts and hardware.
3. You will need the following tools:

Philips head screw driver

Flat head screw driver

Hammer

DO NOT use power drills or drivers

To protect your parts during assembly please place them on a soft surface.

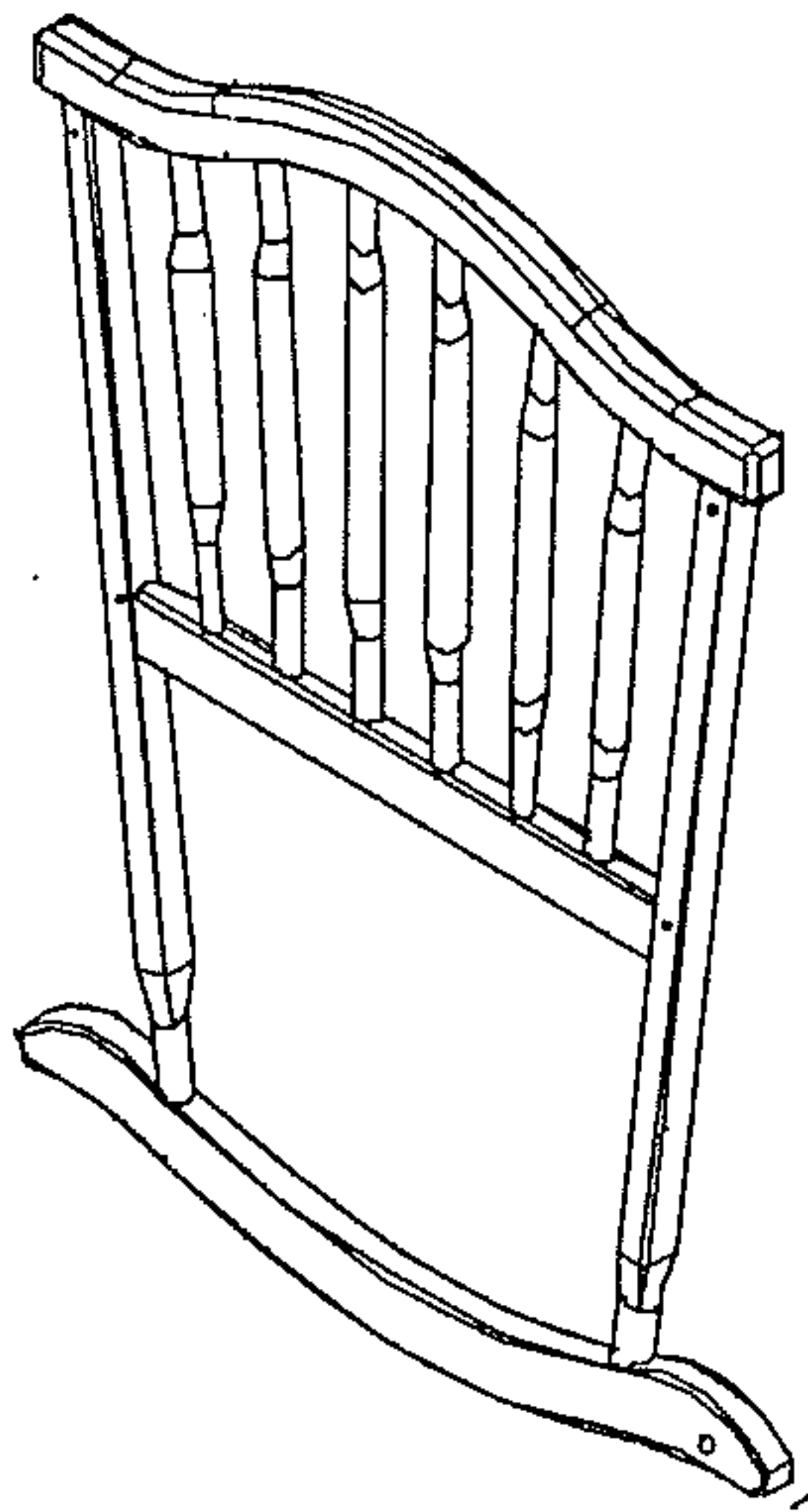
To clean surface use only water on a damp cloth. **DO NOT** use window cleaners or cleaning abrasives as it will scratch the surface and could damage the protective coating.



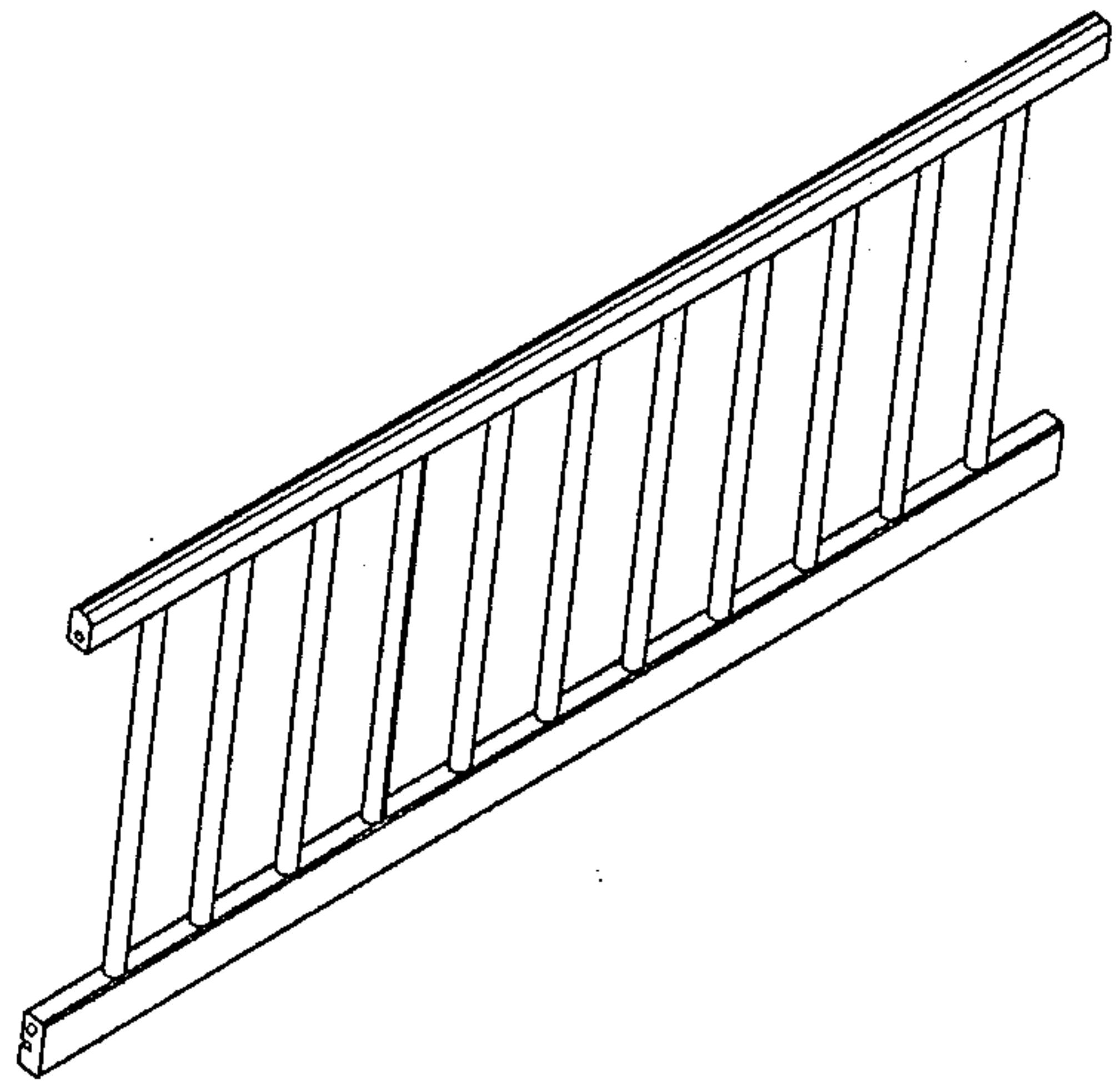
WARNING

- Failure to follow these warnings and the assembly instructions could result in serious injury or death.
- Read all instructions before assembling cradle. KEEP INSTRUCTIONS FOR FUTURE USE.
- Periodically check the safety of your cradle, by making certain all screws, nuts and bolts are tightened securely and inspect cradle for damaged hardware, loose joints, missing parts or sharp edges. DO NOT use the cradle if any parts are missing or broken. Ask your local dealer for replacement part and instruction literature if needed. DO NOT substitute parts.
- When child is able to climb out unaided, the cradle should no longer be used.
- DO NOT suspend items with long strings into cradle. DO NOT place cradle near a window where cords from blinds or drapes may strangle a child. DO NOT tie pacifiers, necklaces, or any other item around a child's neck or on the cradle parts. This could cause strangulation.
- DO NOT use a water mattress with this cradle.
- DO NOT use shipping or other bags as mattress covers since they can cause suffocation.
- Never aim or point a vaporizer or humidifier directly at the cradle as the water vapour could ruin the finish of it.
- Wash with mild soap and a damp cloth. Do not use abrasives. Avoid furniture polish as it could be hazardous to your child. If refinishing, use a non-toxic finish specific for children's products.

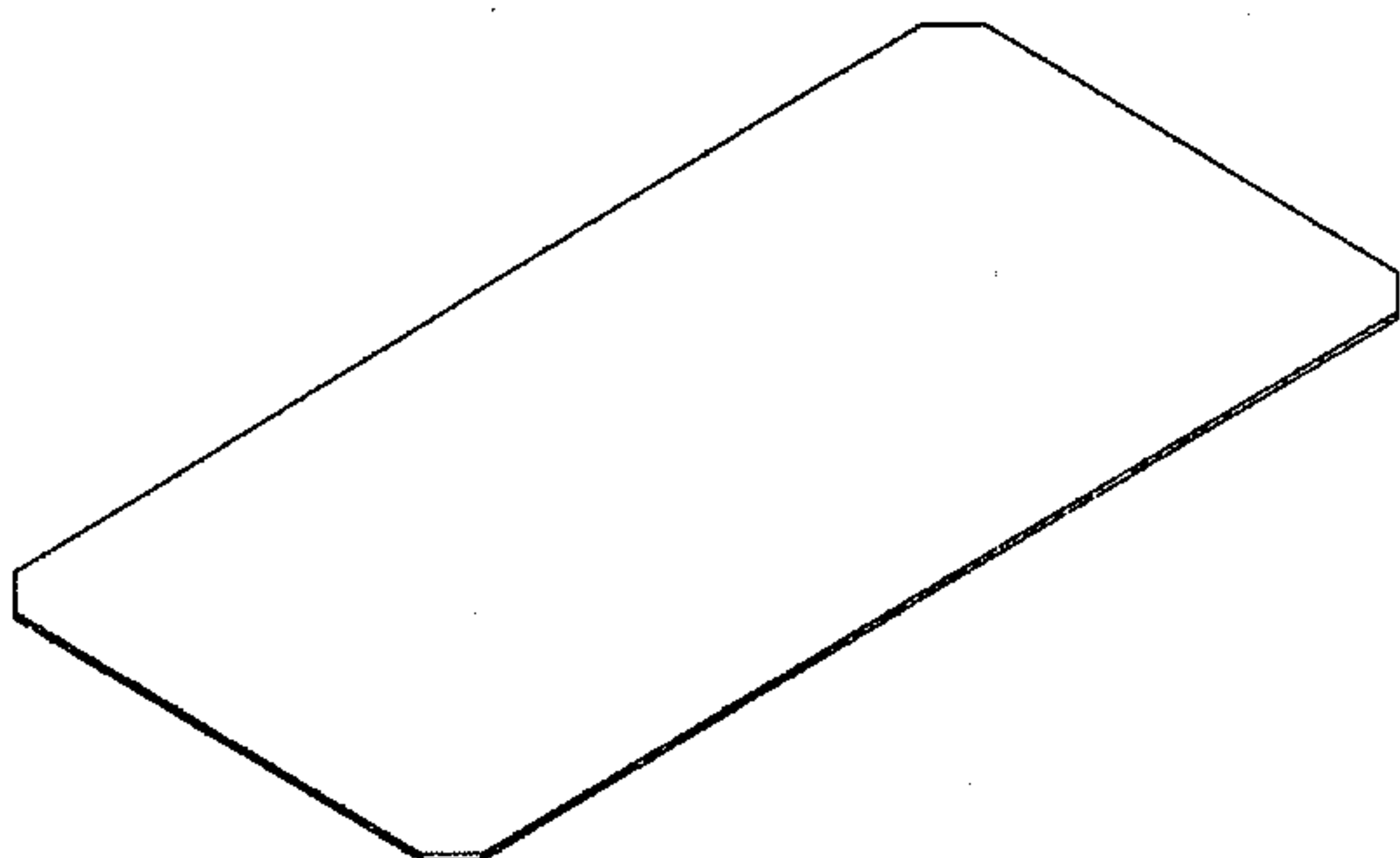
PARTS LIST FOR #645



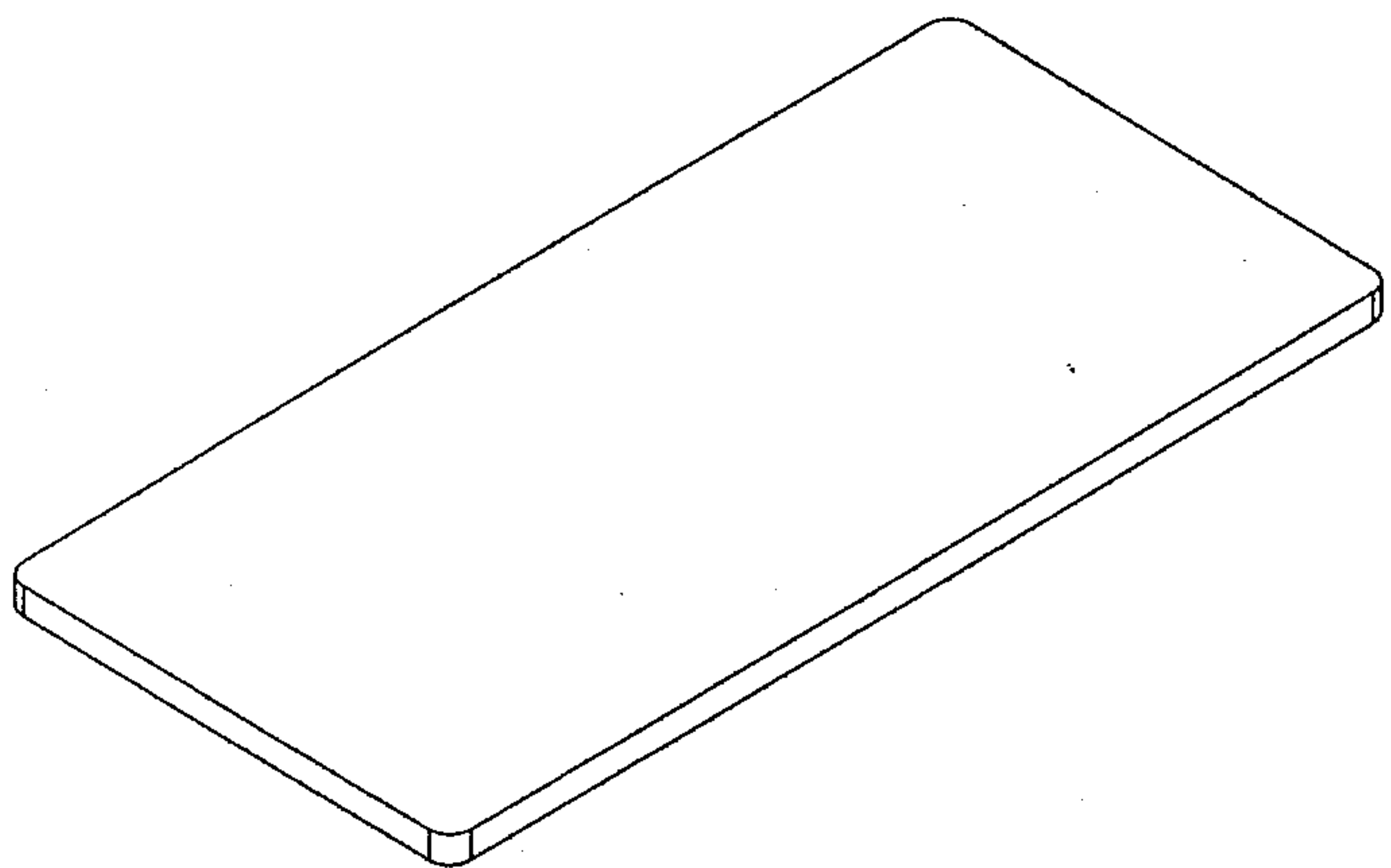
A: Head board (2PCS)



B: Rail (2PCS)

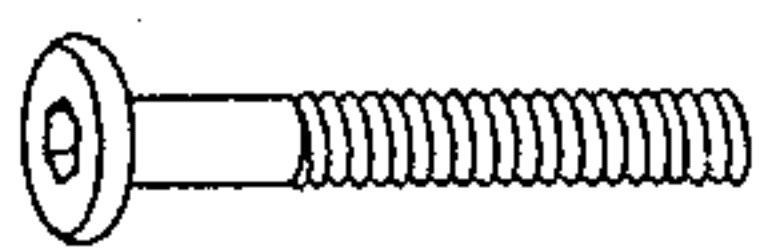


C: Panel MDF (1PC)

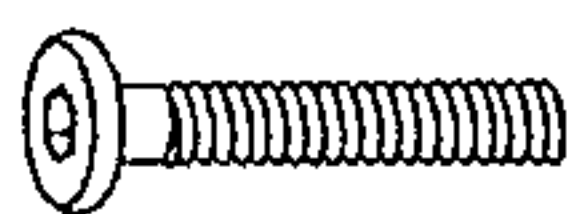


D: Mattress (1PC)

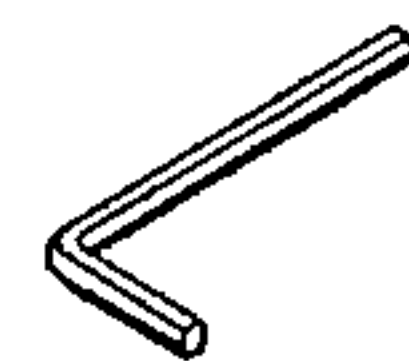
HARDWARE AND TOOLS DIAGRAM



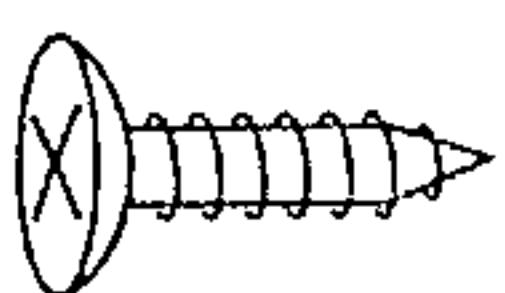
a: Assembly bolt 5/8' (8 pcs)



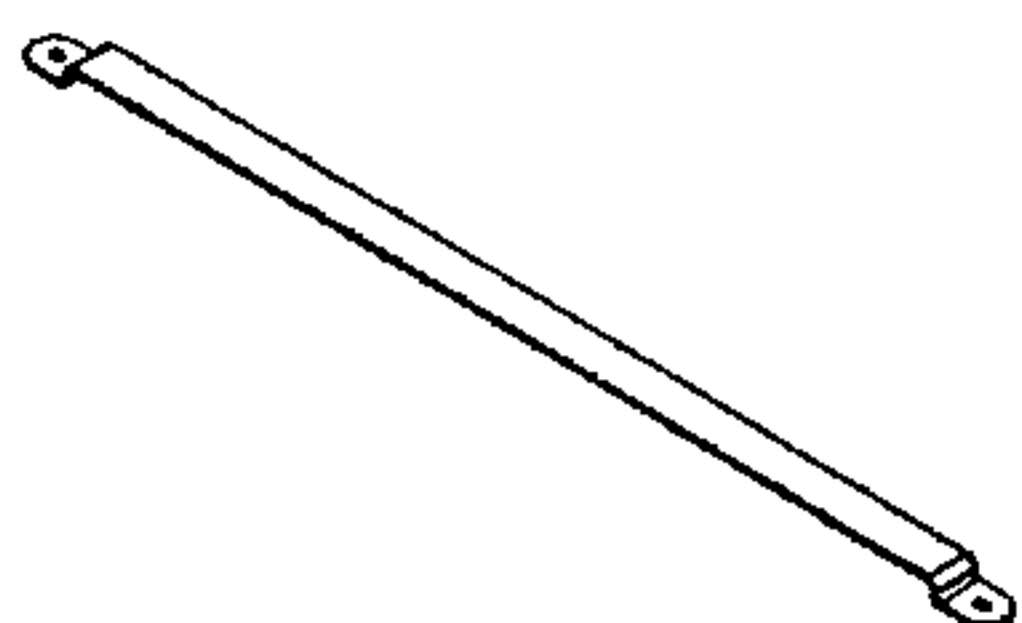
b: Shelf brace screw 3/5' (2 pcs)



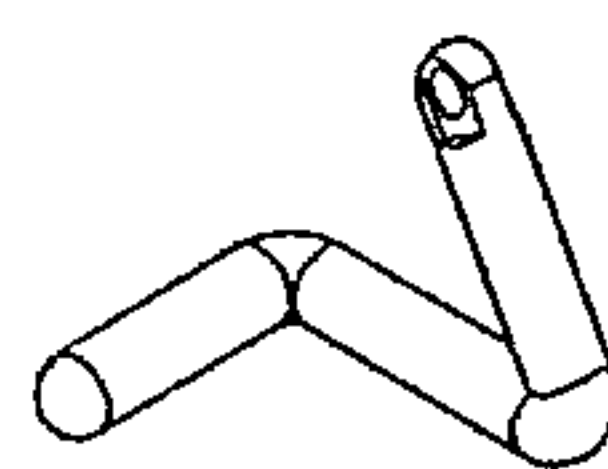
c: Allen key (1 pc)



d: Cradle lock screw (2 pcs)



e: Metal shelf brace (1 pc)



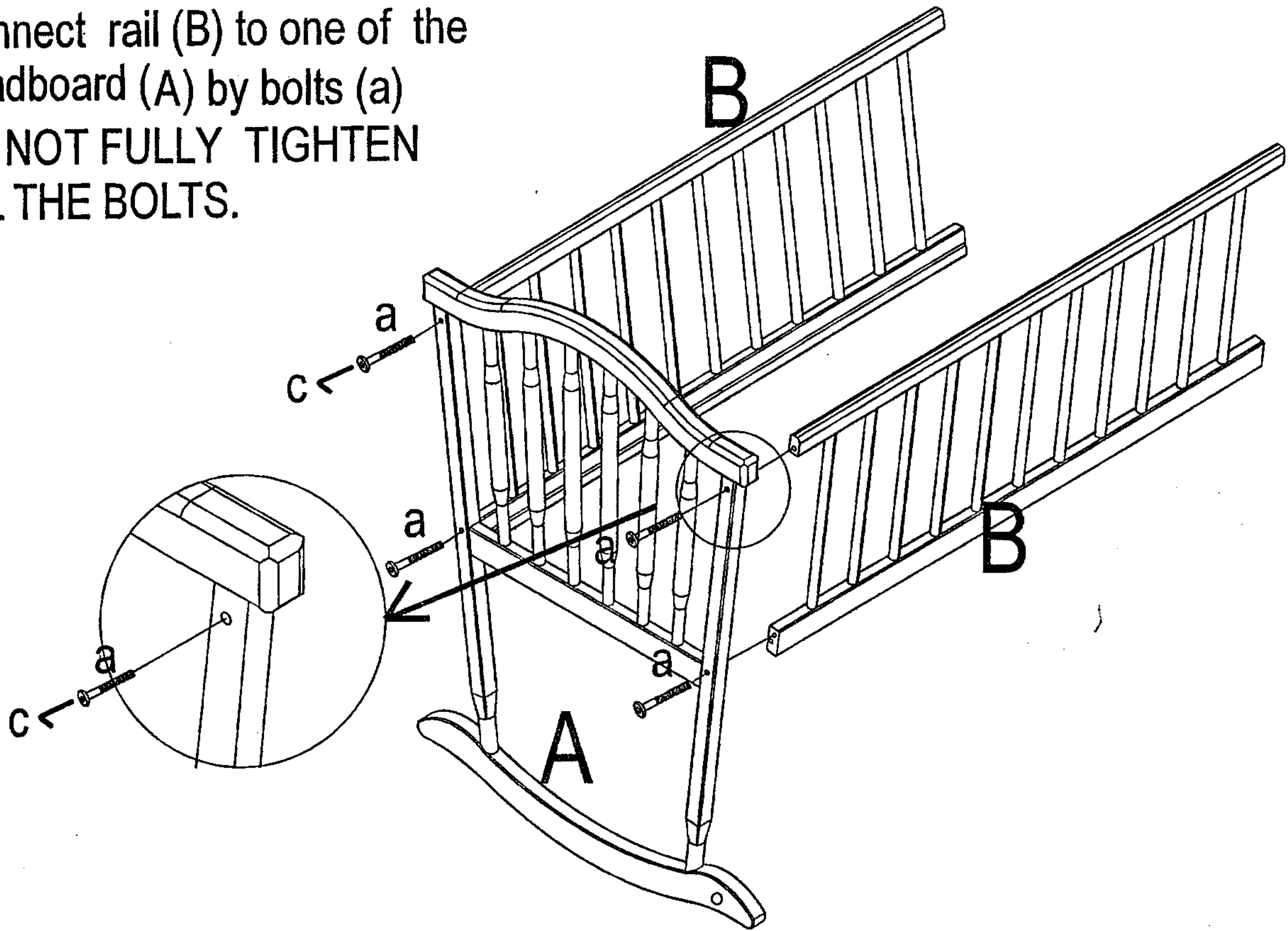
f: Cradle lock (2 pcs)



g: Plastic washers (2 pcs)

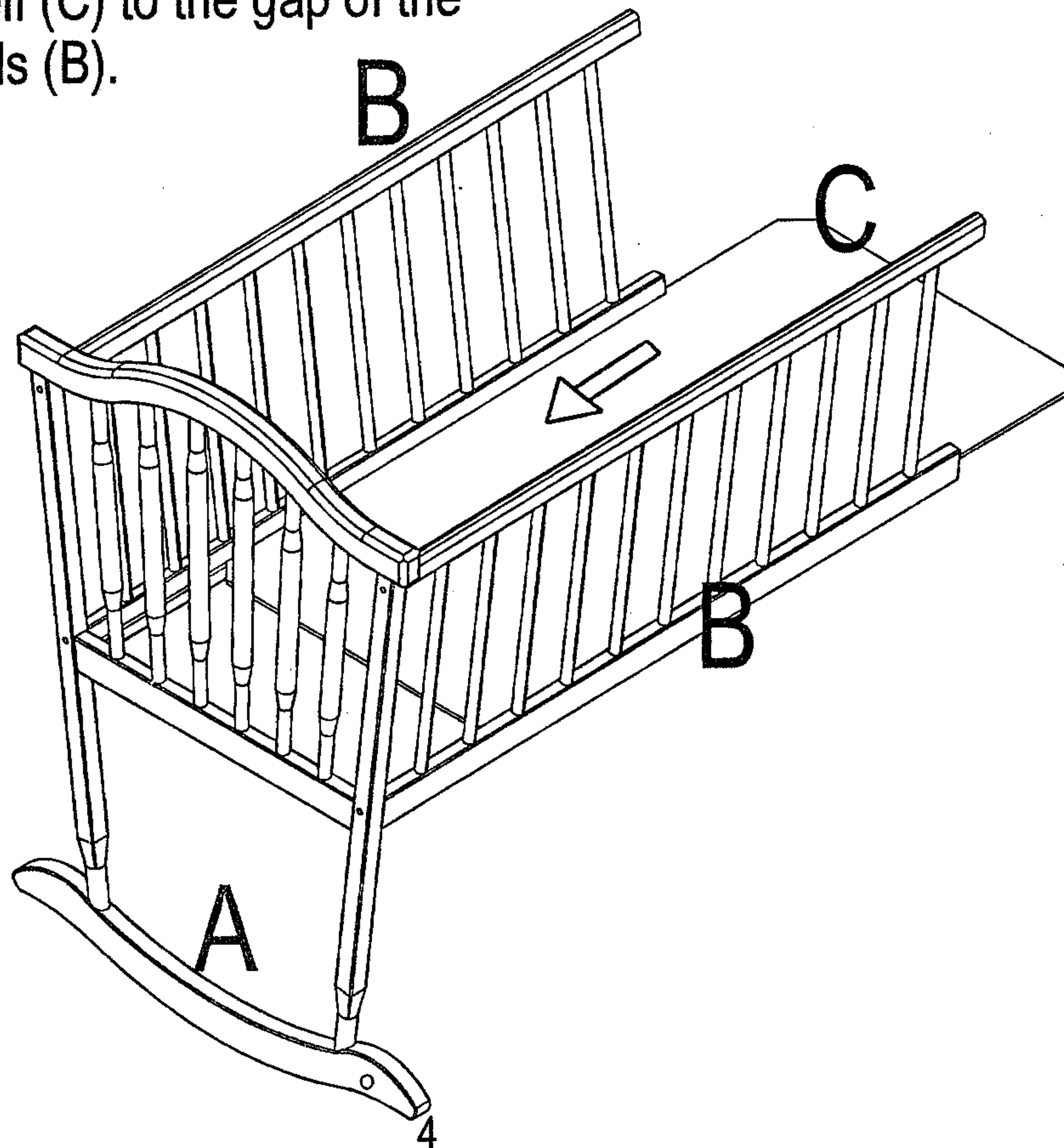
STEP 1

Connect rail (B) to one of the headboard (A) by bolts (a)
DO NOT FULLY TIGHTEN
ALL THE BOLTS.



STEP 2

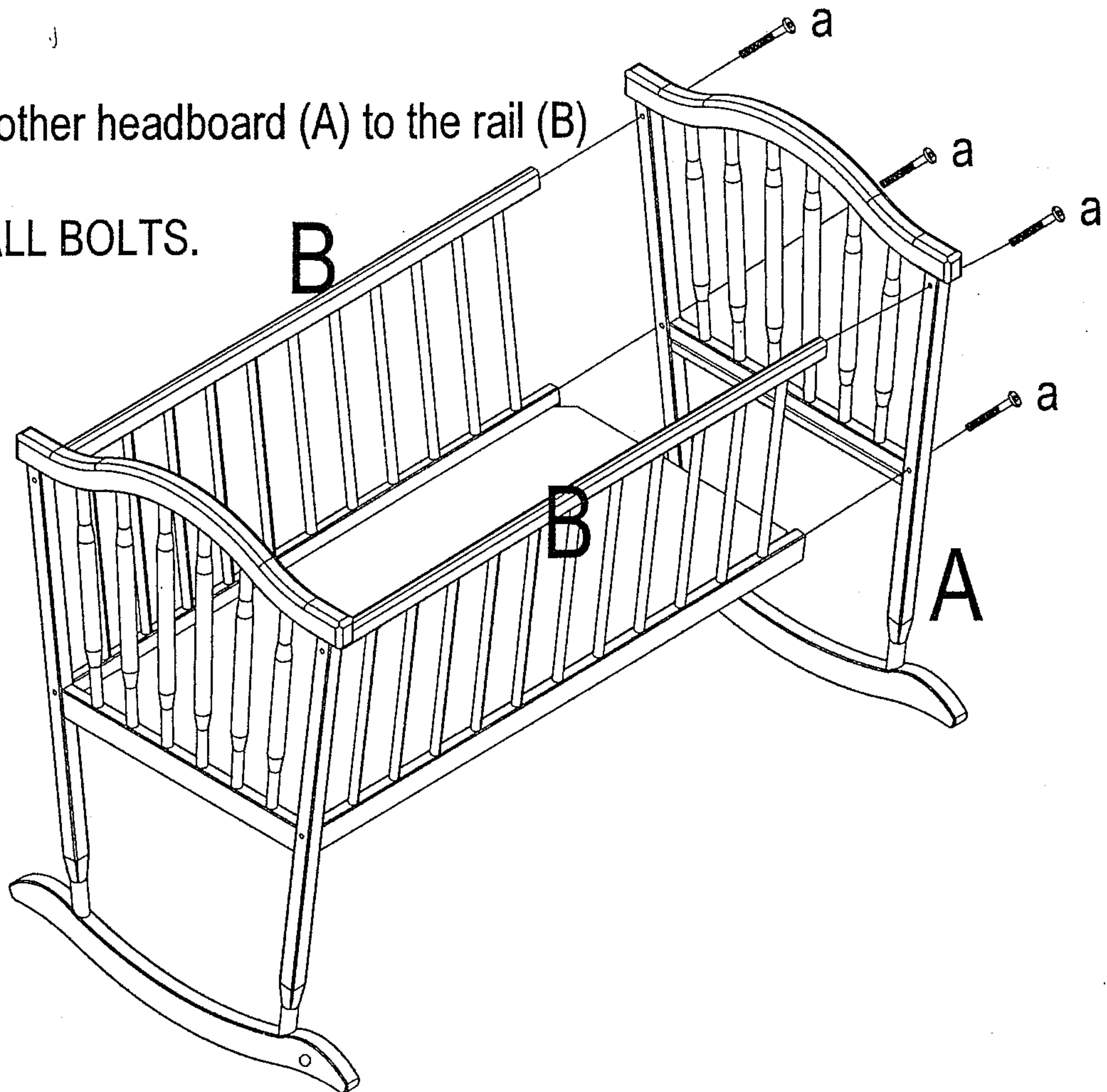
Insert the bottom shelf (C) to the gap of the headboard (A) and rails (B).



STEP 3

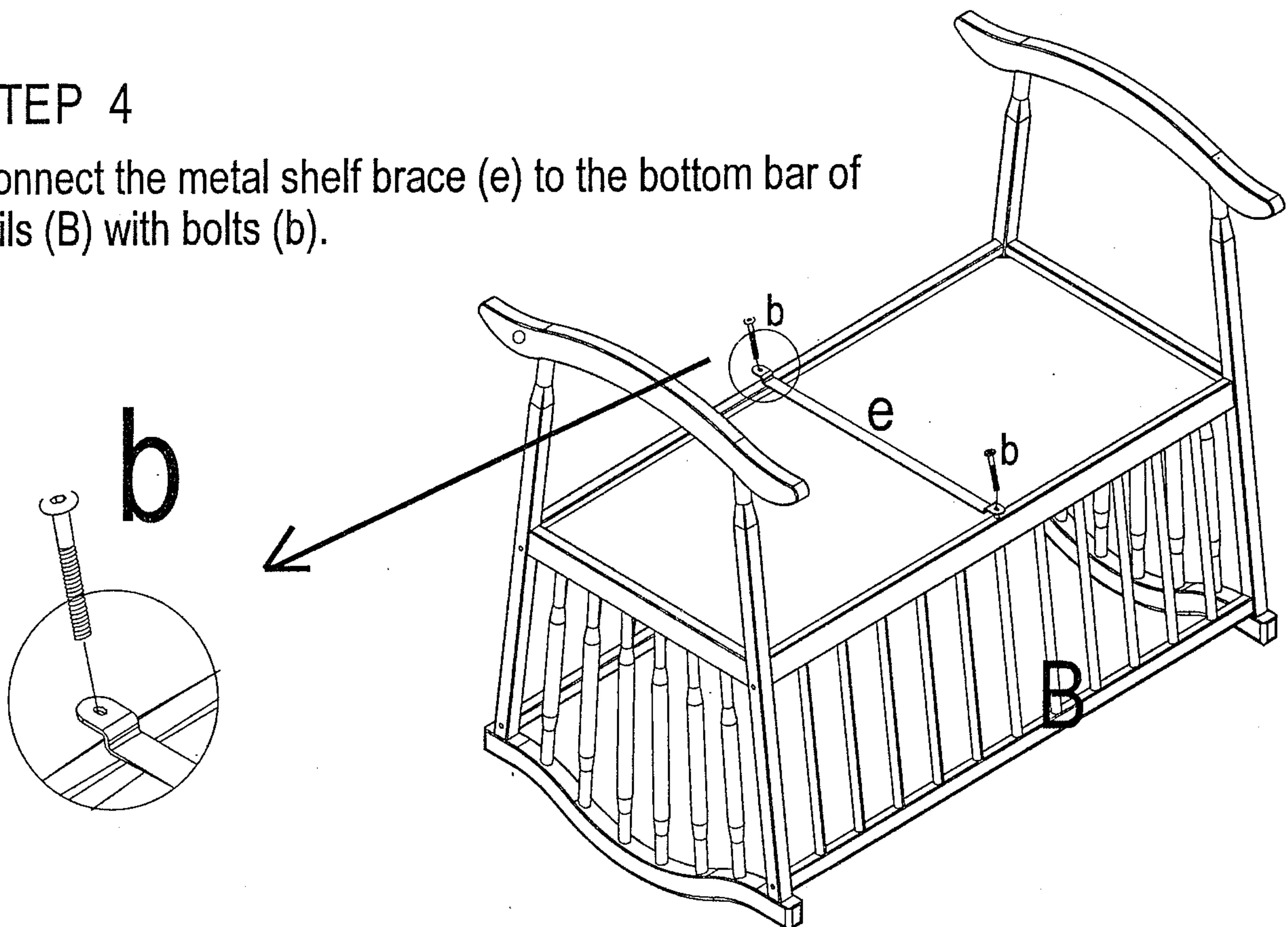
Connect another headboard (A) to the rail (B) by bolts (a)

TIGHTEN ALL BOLTS.



STEP 4

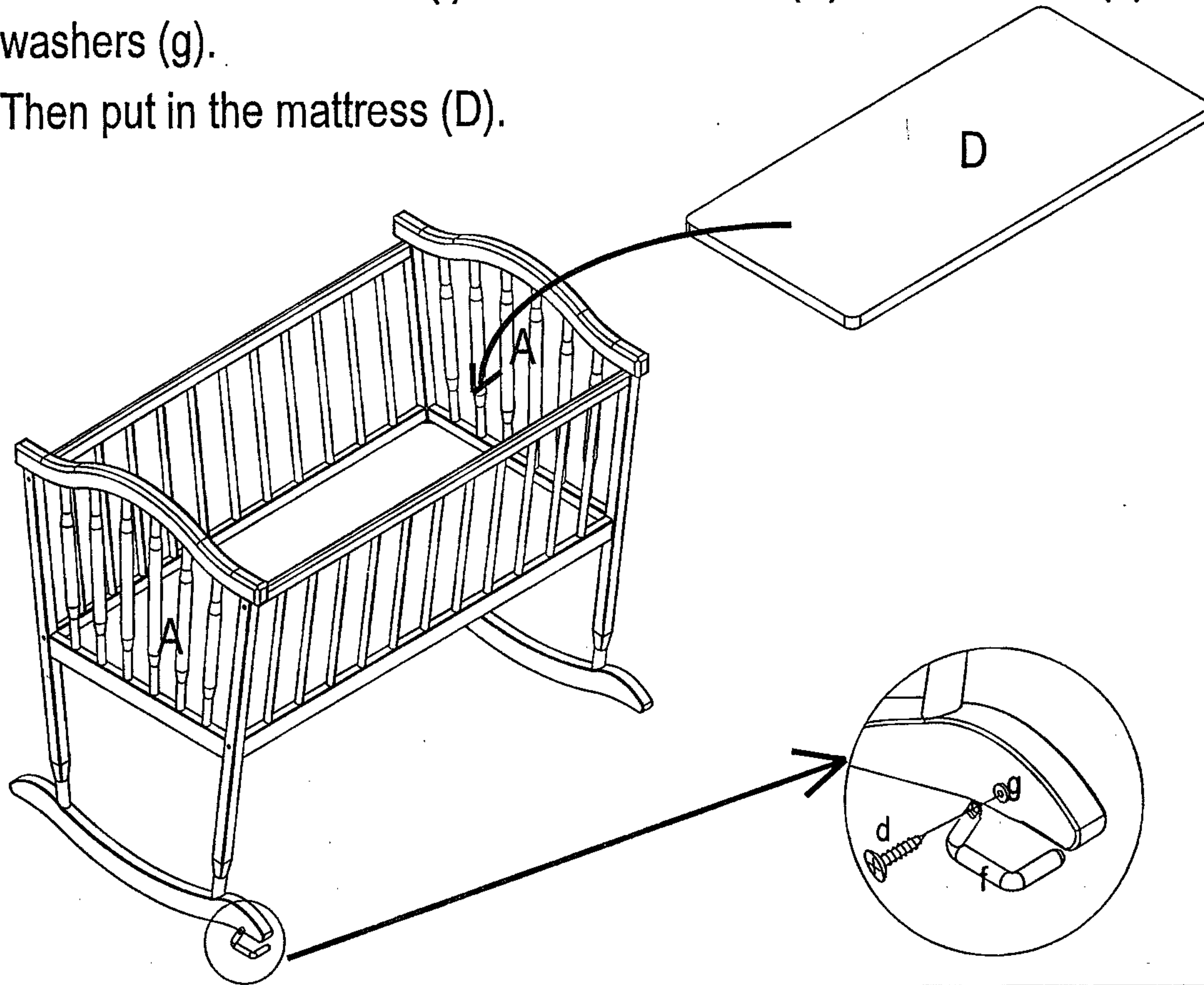
Connect the metal shelf brace (e) to the bottom bar of rails (B) with bolts (b).



STEP 6

Connect the cradle lock (f) to the headboard (A) with the bolts (d) and plastic washers (g).

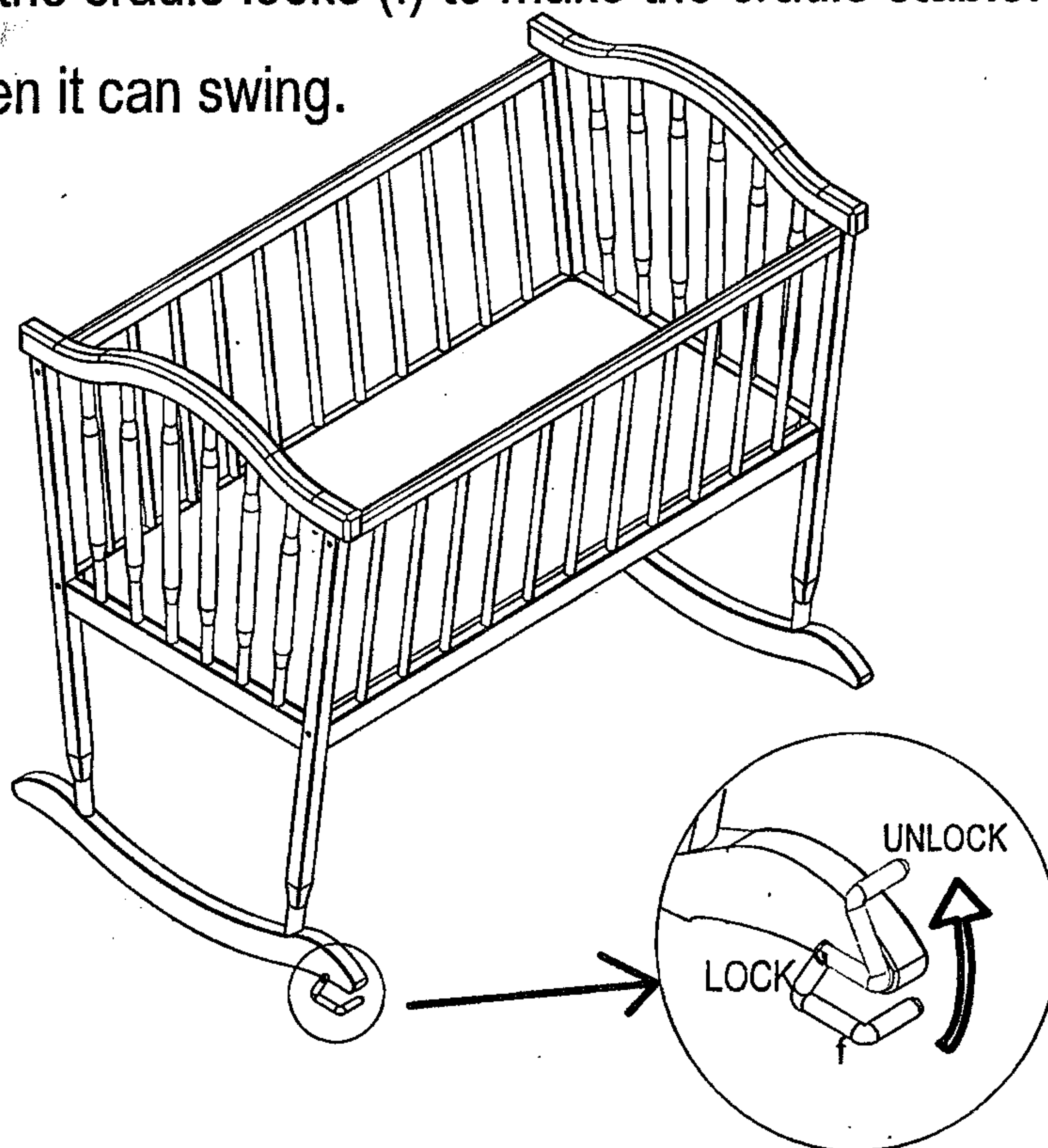
Then put in the mattress (D).



STEP 7

Put down the cradle locks (f) to make the cradle stable.

Take it, then it can swing.





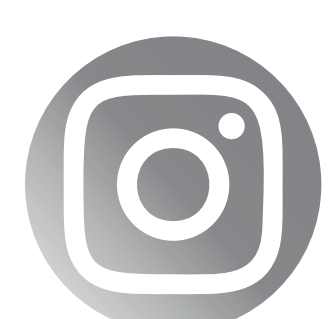
1532, S. Washington Avenue
Piscataway, NJ 08854
E-mail: info@dreamonme.com

www.dreamonme.com

Follow us on



[@dreamonmeinc](https://www.facebook.com/dreamonmeinc)

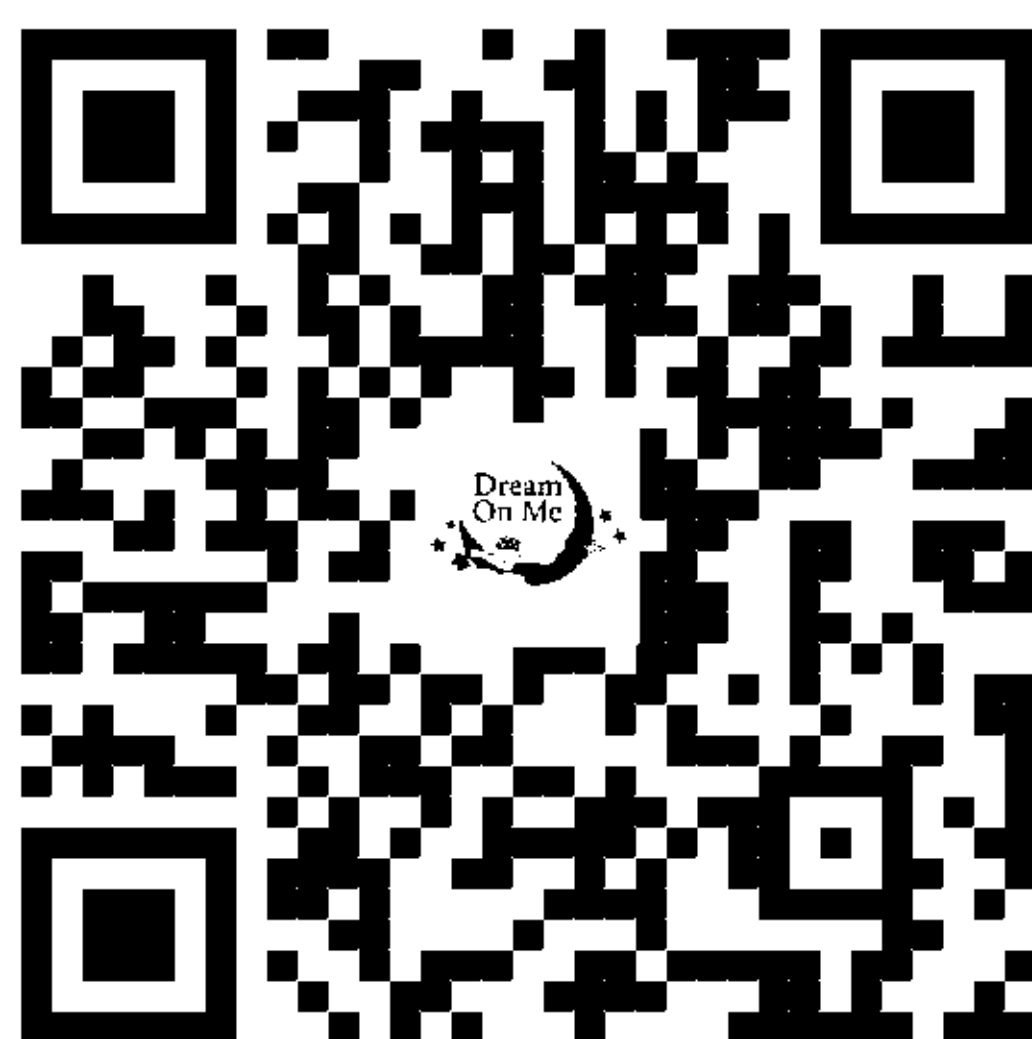


[@dreamonmeinc](https://www.instagram.com/dreamonmeinc)

to get your nursery featured on our social media.

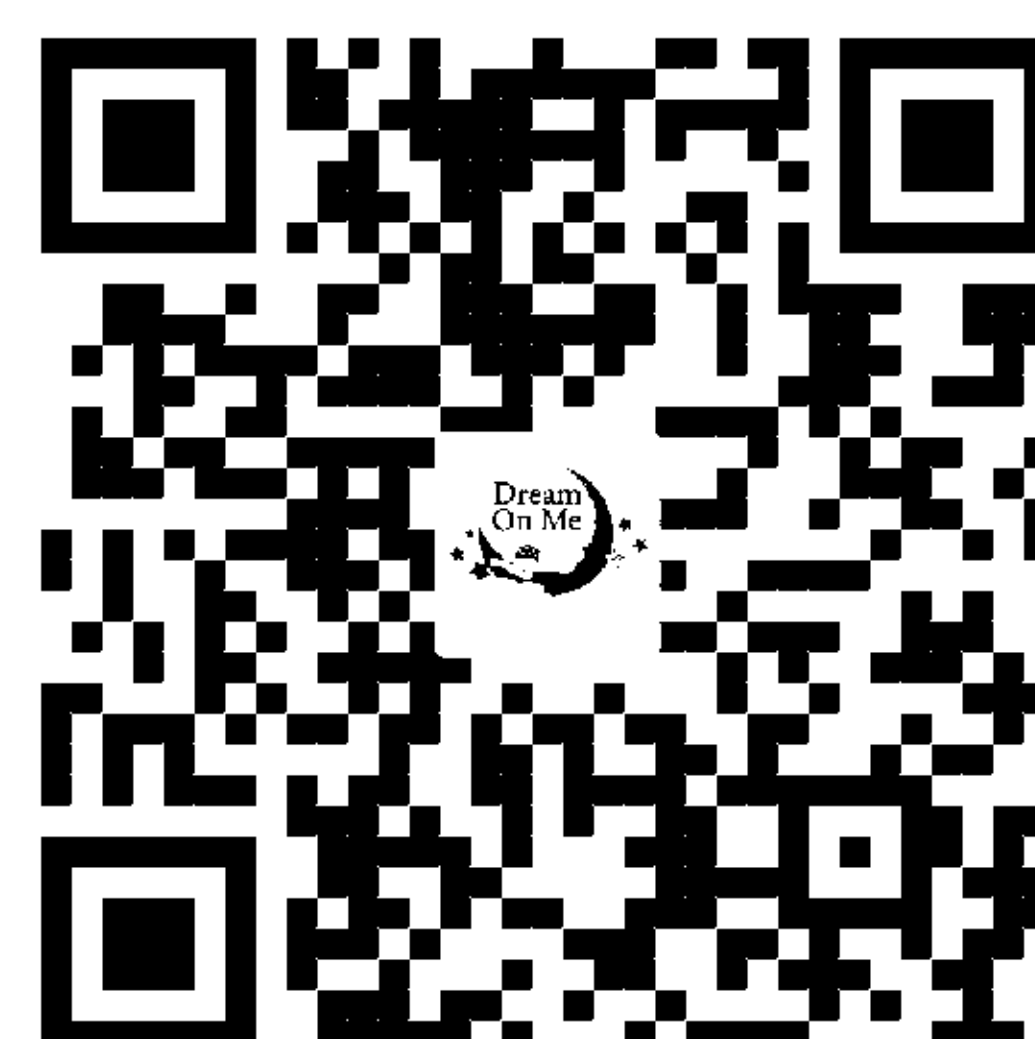
Enter our monthly giveaway!

Simply scan the QRcode to register.



Chat with us!

For any questions or concerns or feedback.



DOM
FAMILY

