

DREAM ON ME

DREAM ON ME, INC

EMILY
CHANGING TABLE
STYLE # 607



Dream On Me Inc.
1532 S Washington Ave
Piscataway Township, NJ 08854
Email: info@dreamonme.com
www.dreamonme.com

MADE IN CHINA

ICON WARNING FAILURE TO FOLLOW THESE WARNINGS AND ASSEMBLY INSTRUCTIONS COULD RESULT IN SERIOUS INJURY OR DEATH

READ ALL INSTRUCTIONS BEFORE ASSEMBLING CHANGING TABLE. KEEP INSTRUCTIONS FOR FUTURE USE. DO NOT USE THIS CHANGING TABLE IF THE INSTRUCTIONS CANNOT BE STRICTLY FOLLOWED.

BEFORE EACH USE OR ASSEMBLY, INSPECT THE UNIT FOR DAMAGED HARDWARE, LOOSE JOINT, MISSING PARTS OR SHARP EDGES. DO NOT USE UNIT IF ANY PARTS ARE MISSING OR DAMAGED. ASK YOUR DEALER OR CALL DREAM ON ME AT 732-752-7220 OR WRITE TO 1532 S WASHINGTON AVE PISCATAWAY NJ 08854, USA FOR REPLACEMENT PARTS AND INSTRUCTIONAL LITERATURE IF NEEDED. DO NOT SUBSTITUTE PARTS.

FALL HAZARD- TO PREVENT DEATH OR SERIOUS INJURY, ALWAYS KEEP CHILD WITHIN ARM'S REACH. NEVER LEAVE CHILD UNATTENDED.

USE ONLY PAD PROVIDED BY THE MANUFACTURER.

DO NOT USE CHANGING TABLE, ADD-ON CHANGING UNIT, OR CONTOURED CHANGING PAD IF IT IS DAMAGED OR BROKEN.

MAXIMUM WEIGHT OF CHILD: 25 POUNDS (11.4 KG)

CLEANING: TO CLEAN THIS PRODUCT USE ONLY MILD HOUSEHOLD SOAP AND WARM WATER. DO NOT USE BLEACH OR DETERGENT. DO NOT USE ABRASIVE CLEANERS WHICH CAN SCRATCH THE FINISH. USE CLEAN SOFT CLOTHS TO WASH, RINSE AND DRY. WITH PROPER CARE, THE QUALITY FINISH WILL LAST A LONG TIME. WOOD SURFACES MAY BE TREATED WITH A LIGHT APPLICATION OF NON TOXIC FURNITURE POLISH.

Changing Table Warnings

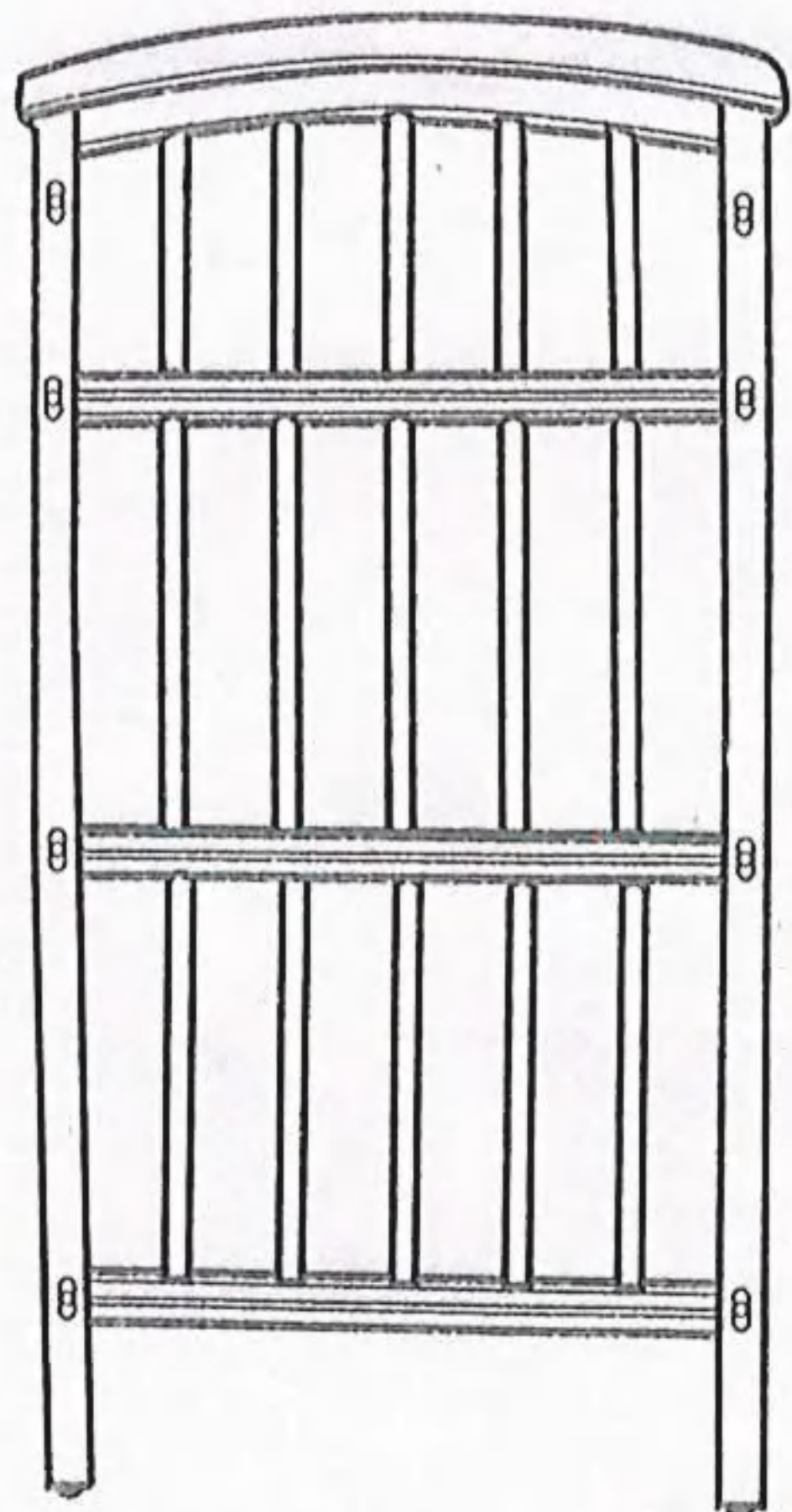
! WARNING - Failure to follow these warnings and assembly instructions could result in serious injury or death.

- Read all instructions before assembling changing table. **KEEP INSTRUCTIONS FOR FUTURE USE. DO NOT USE THIS CHANGING TABLE IF THE INSTRUCTIONS CANNOT BE STRICTLY FOLLOWED.**

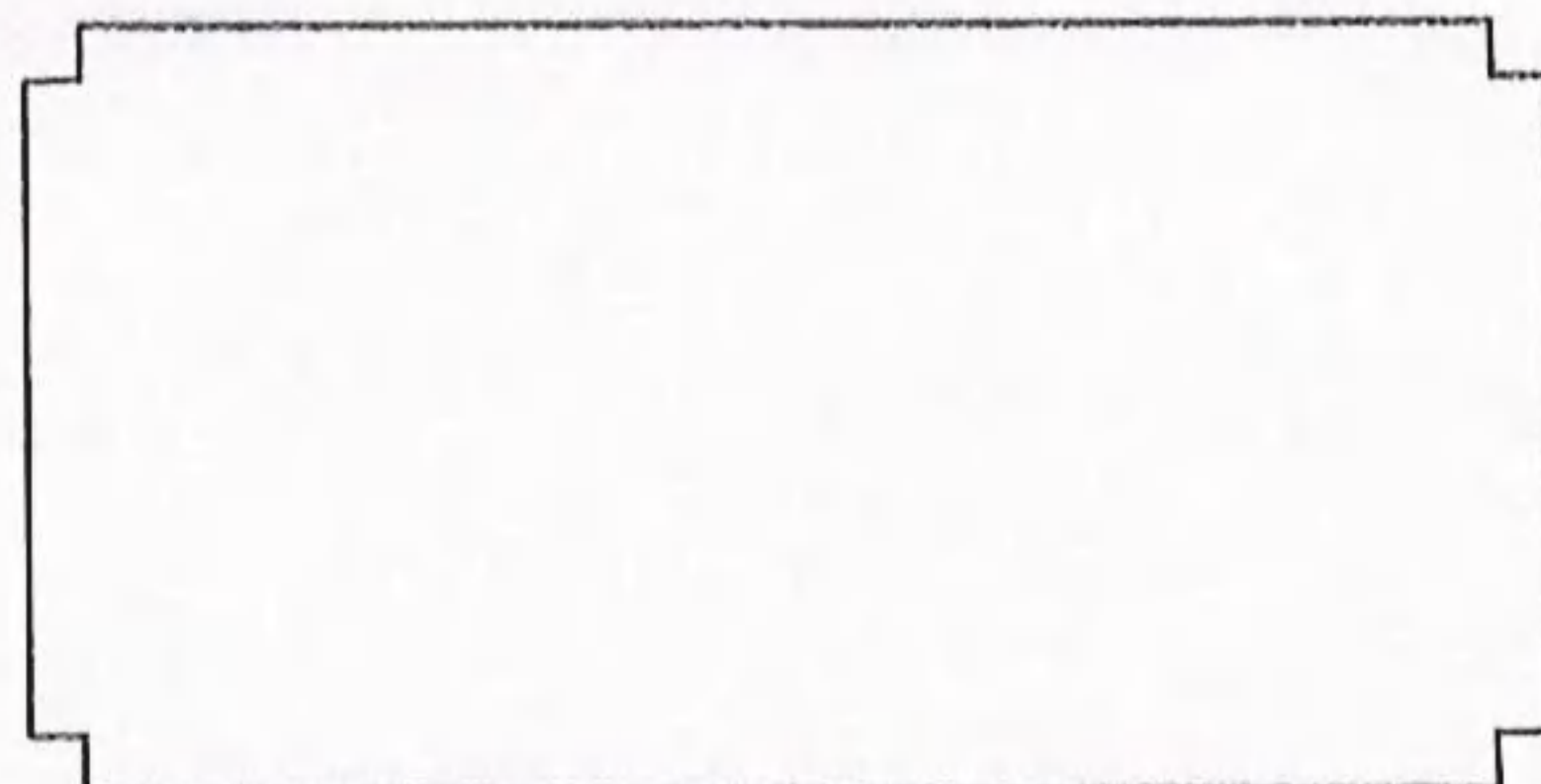
Before each usage or assembly, inspect unit for damaged hardware, loose joints, missing parts or sharp edges. **DO NOT** use unit if any parts are missing or broken. Ask your dealer or call **Dream On Me** at **732-752-7220** or write **1532 S WASHINGTON AVE PISCATAWAY NJ 08854, USA** for replacement parts and instructional literature, if needed. **DO NOT** substitute parts.

- **FALL HAZARD**—to prevent death or serious injury, always keep child within arm's reach. Never leave child unattended.
- Use only the pad provided by the manufacturer.
- **DO NOT** use the changing table if it is damaged or broken.
- Maximum weight of child: 25 lbs. (11.4kg)

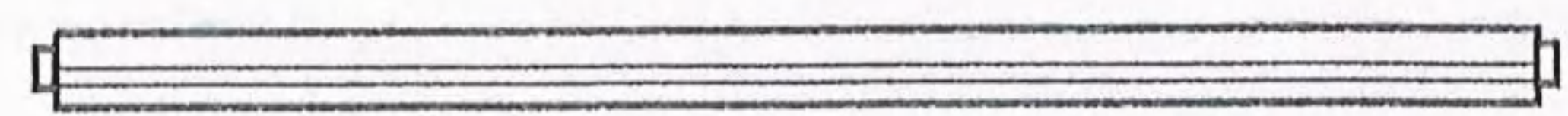
Parts List



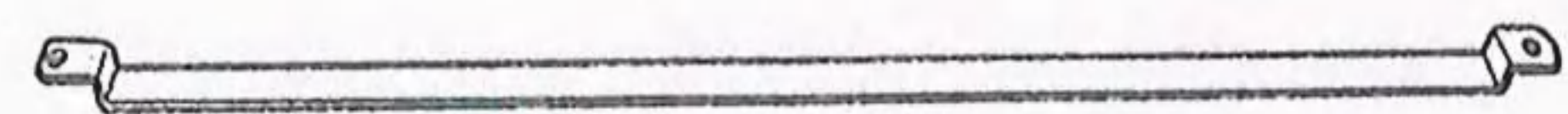
(A) End Frame (x2)



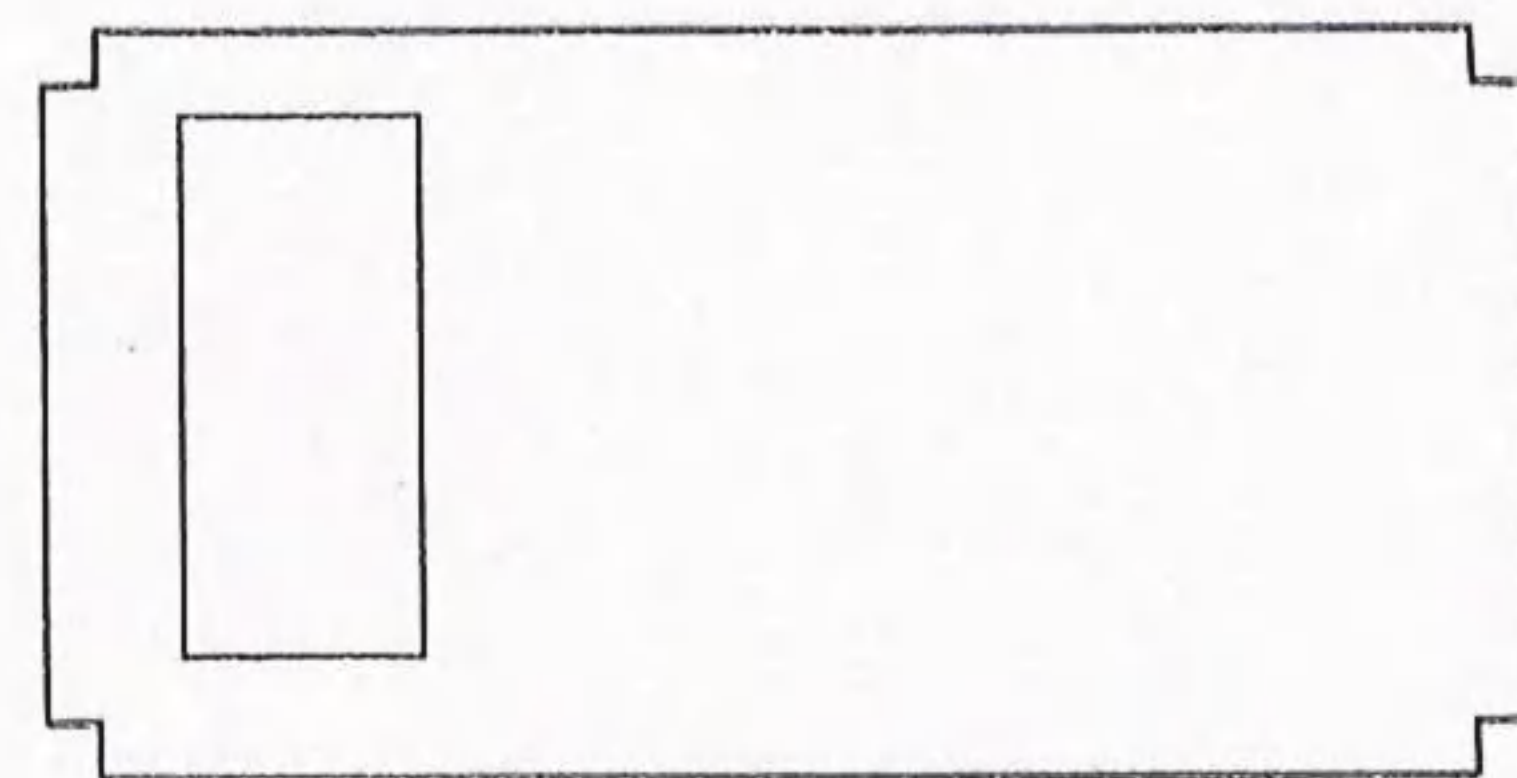
(B) Shelf Inserts (x2)



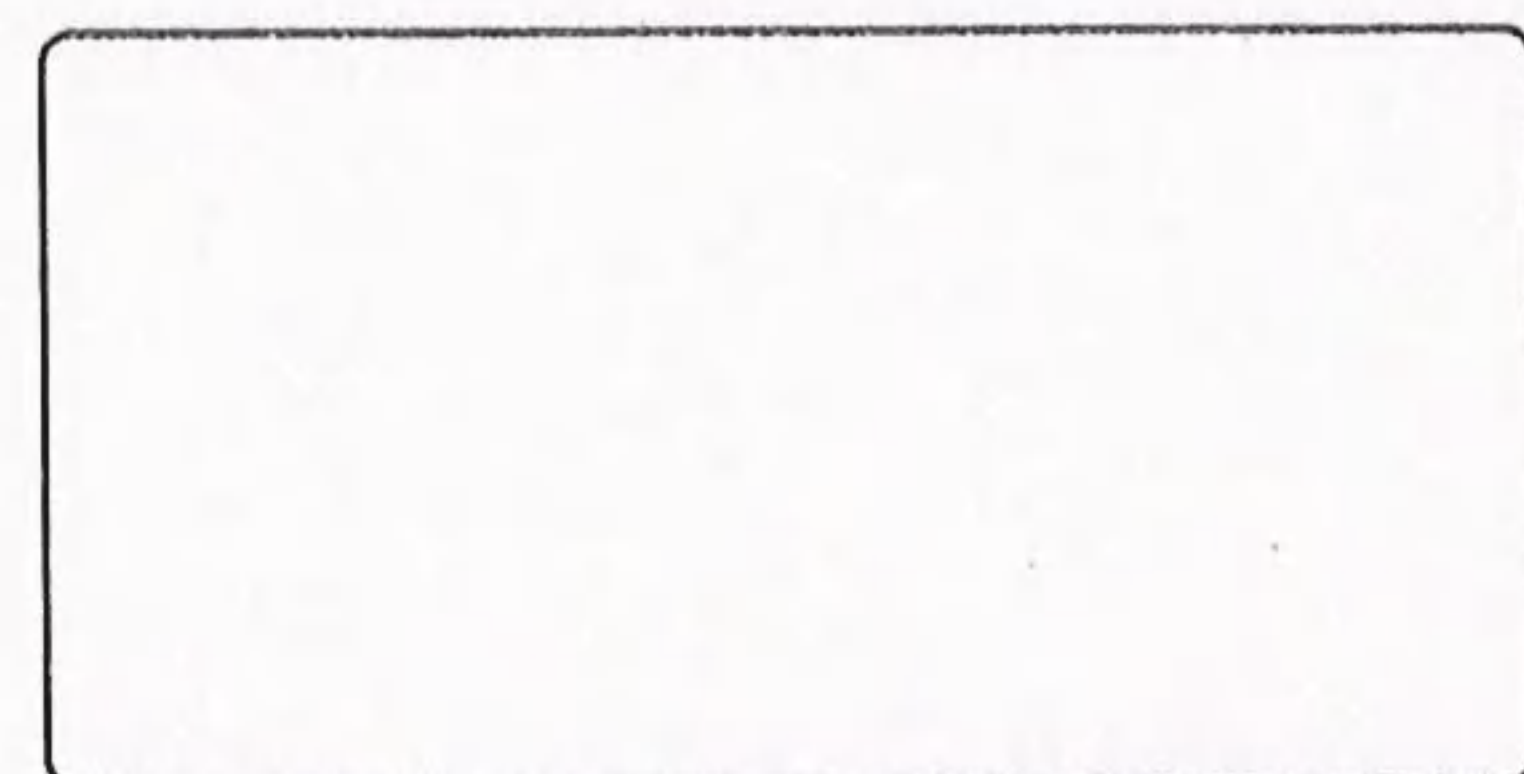
(D) Shelf Support (x4)



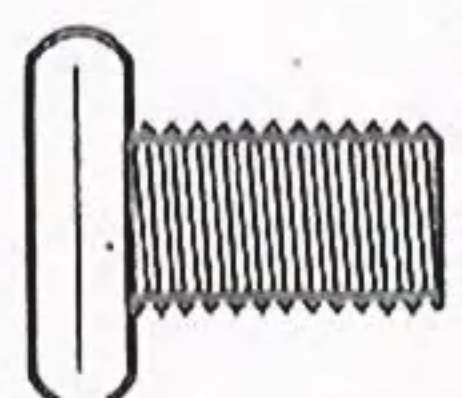
(E) Shelf Braces (x4)



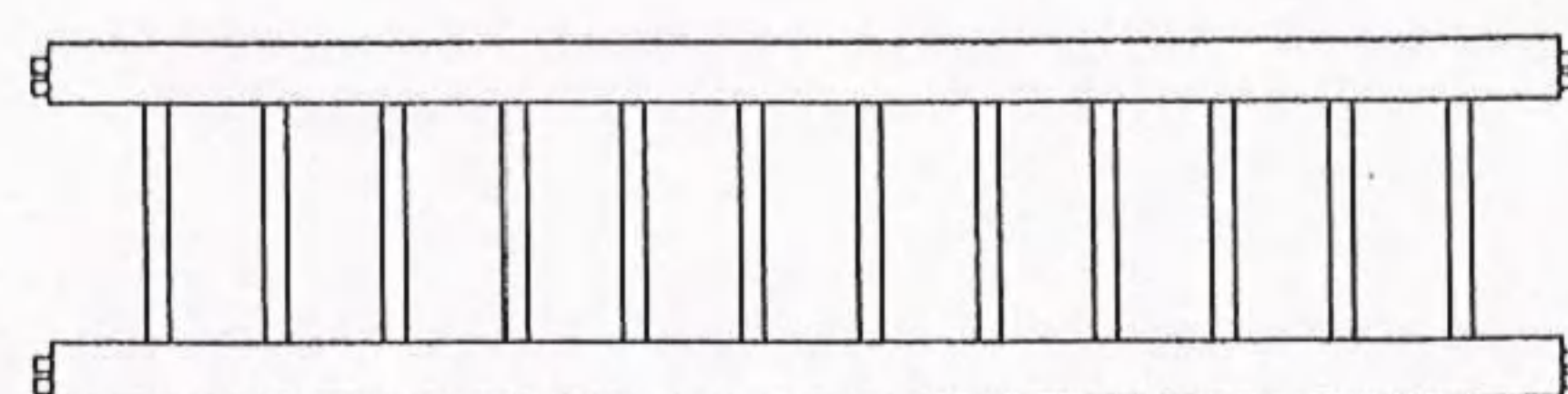
(C) Top Shelf Insert (x1)



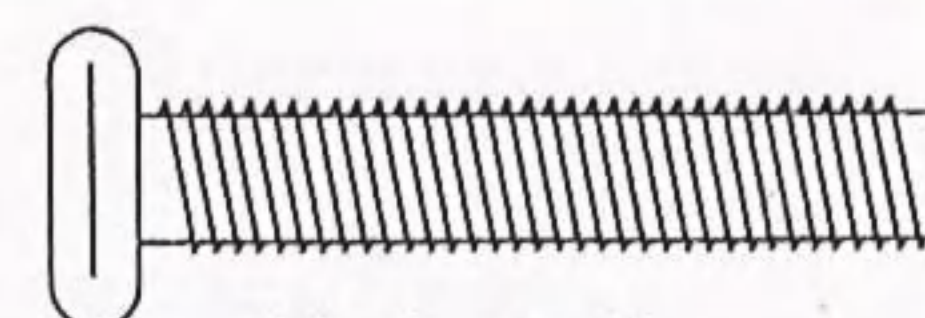
(G) Pad



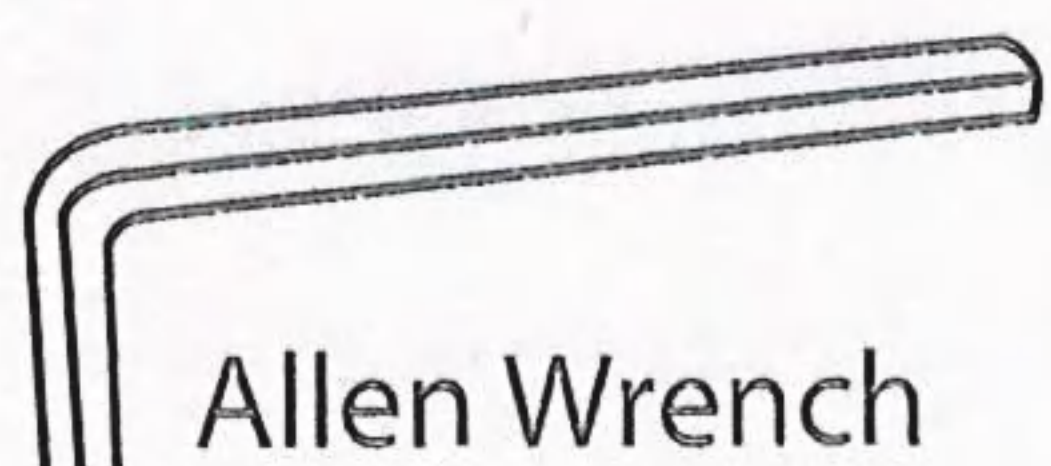
(H) Middle Support Bar Bolts (8x)



(F) Side Rails (x2)

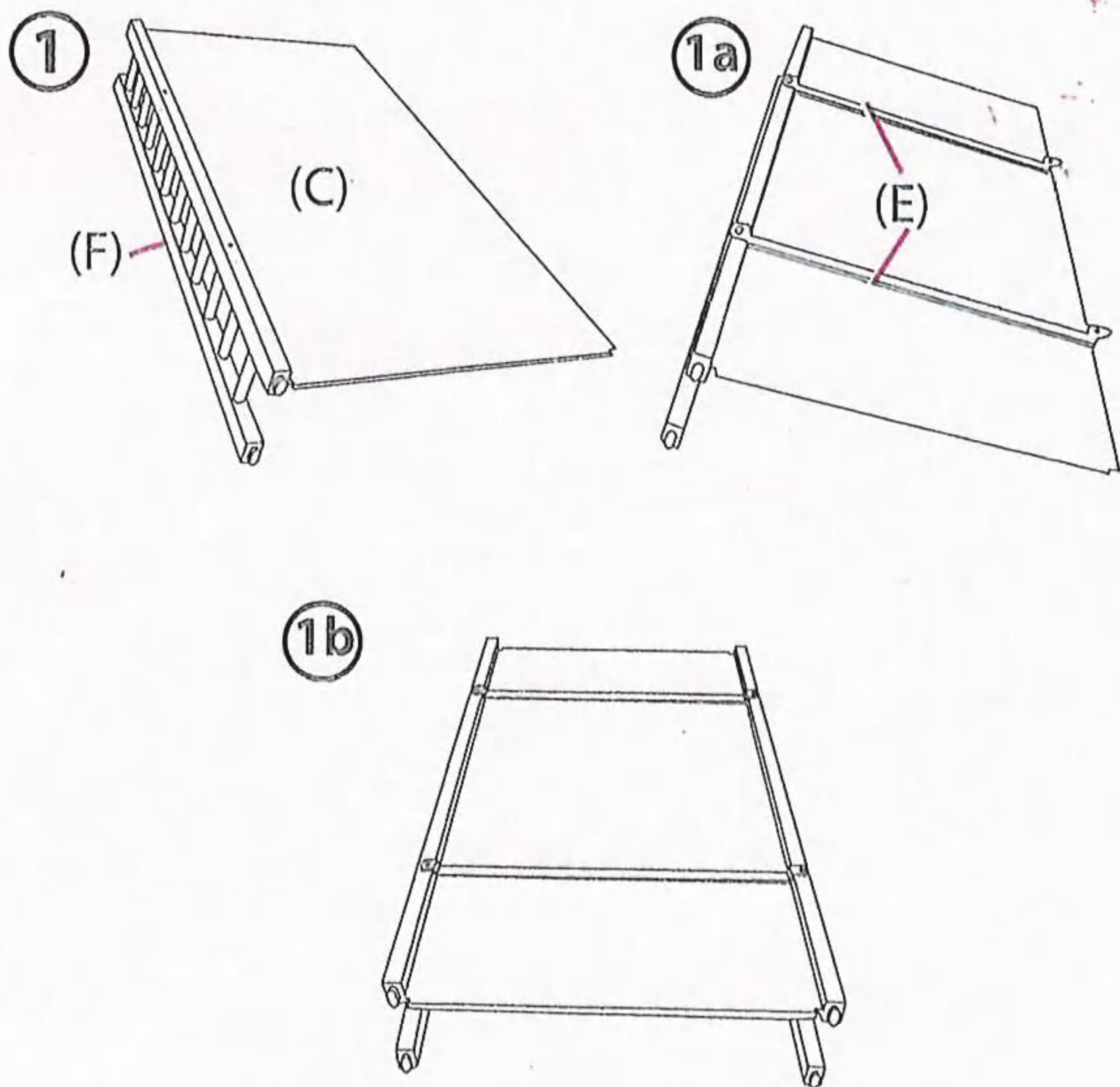


(I) (x16)



Allen Wrench

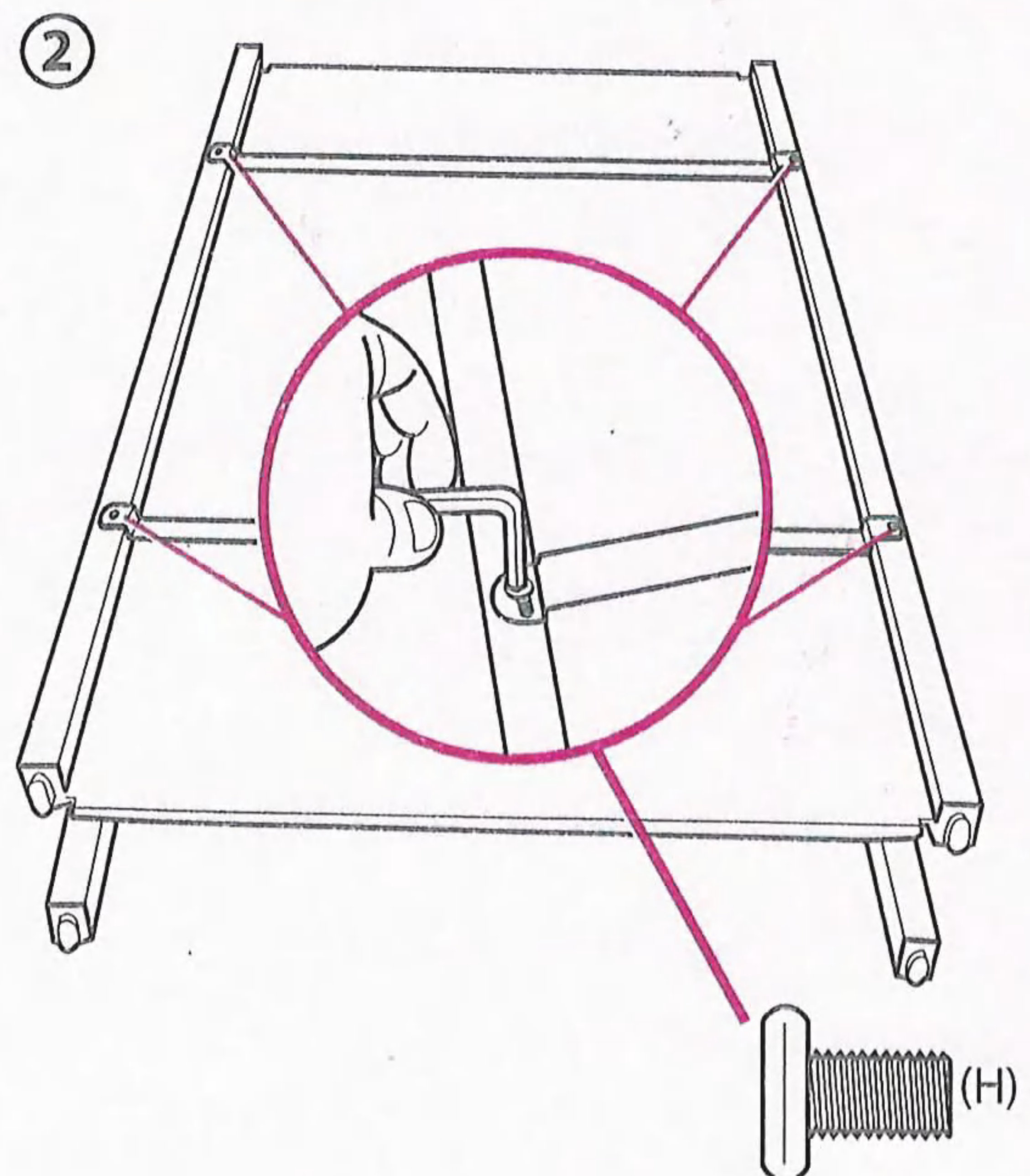
Bolts shown at actual size.



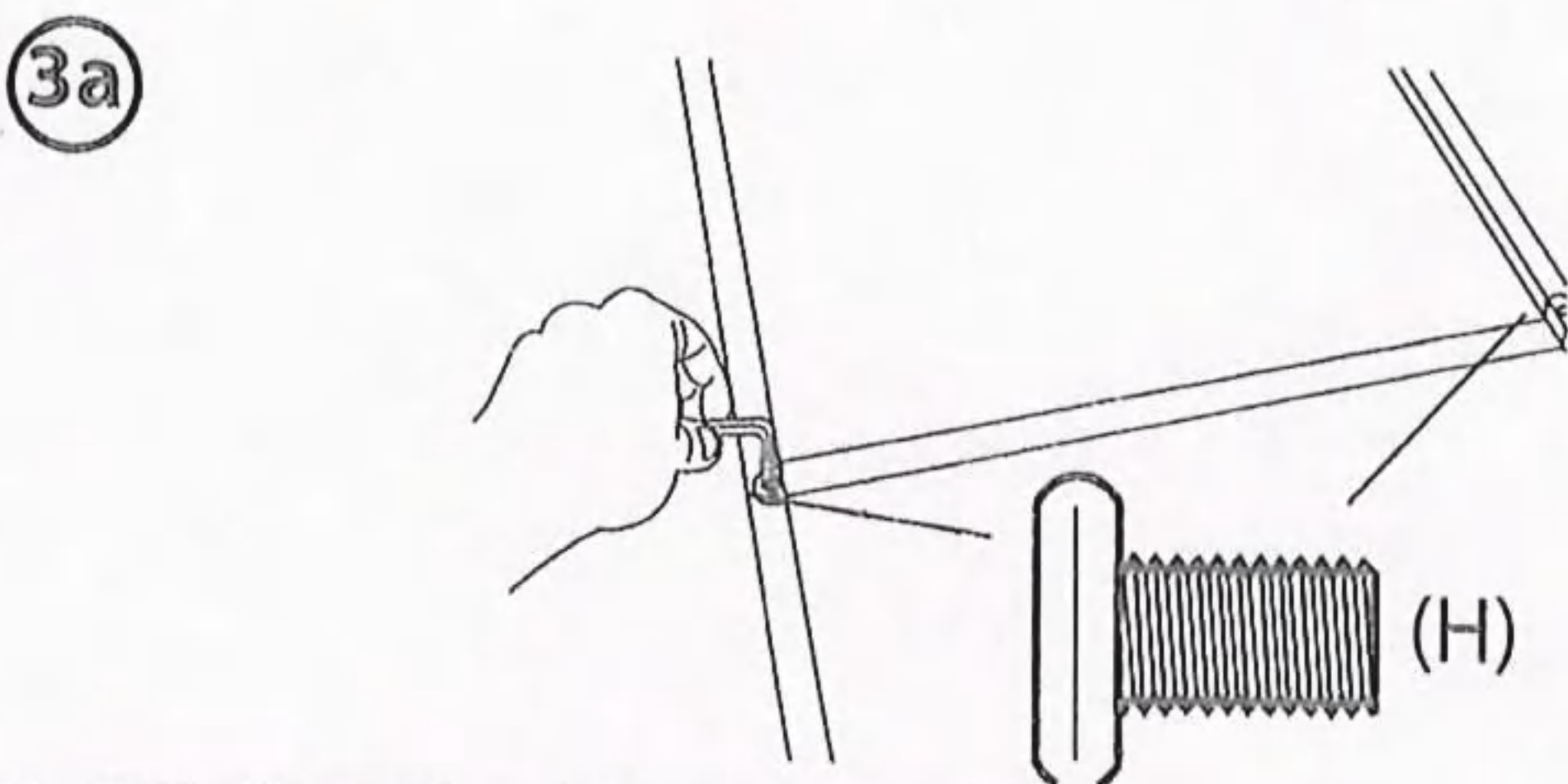
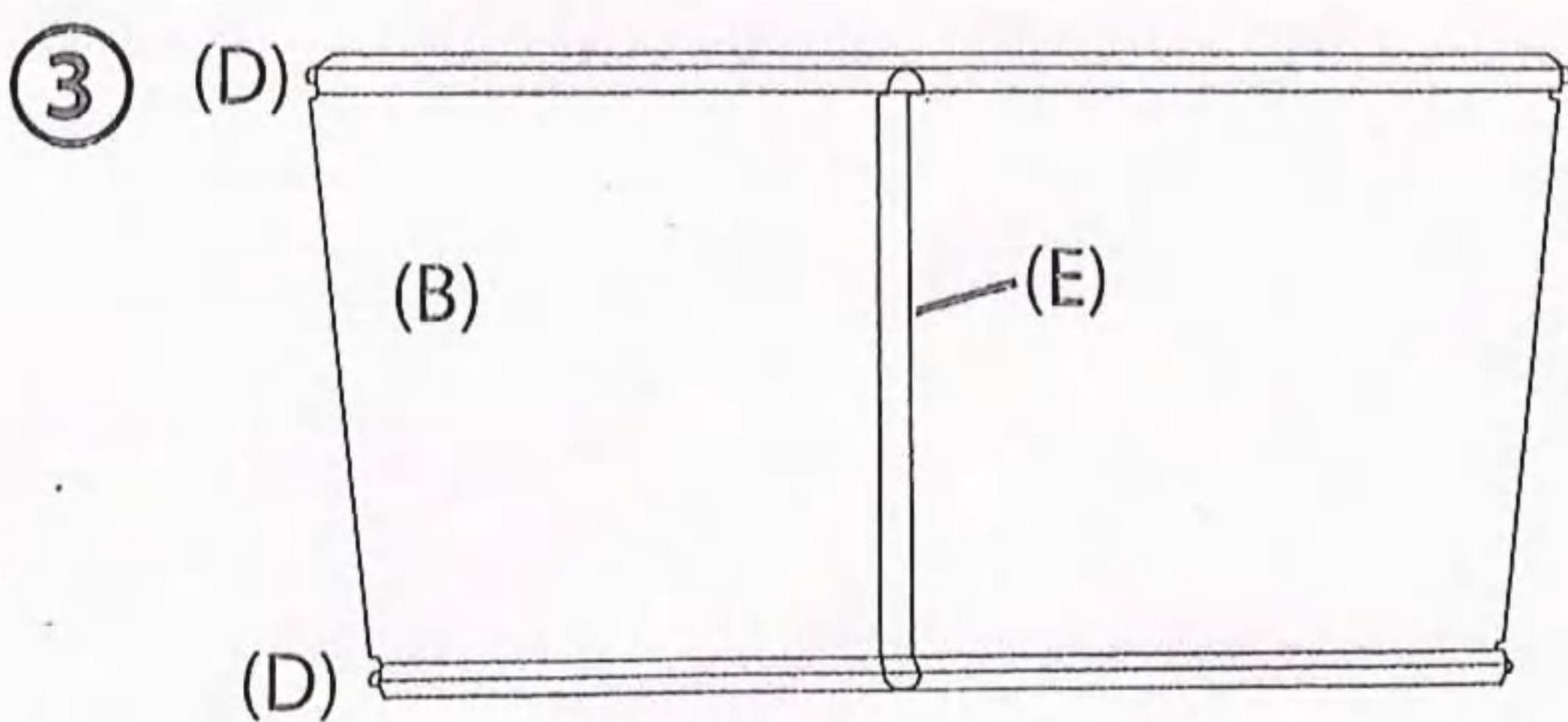
Top Shelf Assembly.

1. Pre-assemble items as shown in *figure 1, 1a, and 1b* using the top shelf with the warning (C).

NOTE: The warning label must be visible (facing up) on top shelf when fully assembled.



2. Once assembled lay flat with supports facing down and secure shelf insert to both middle supports using four screws. *Figure 2.*

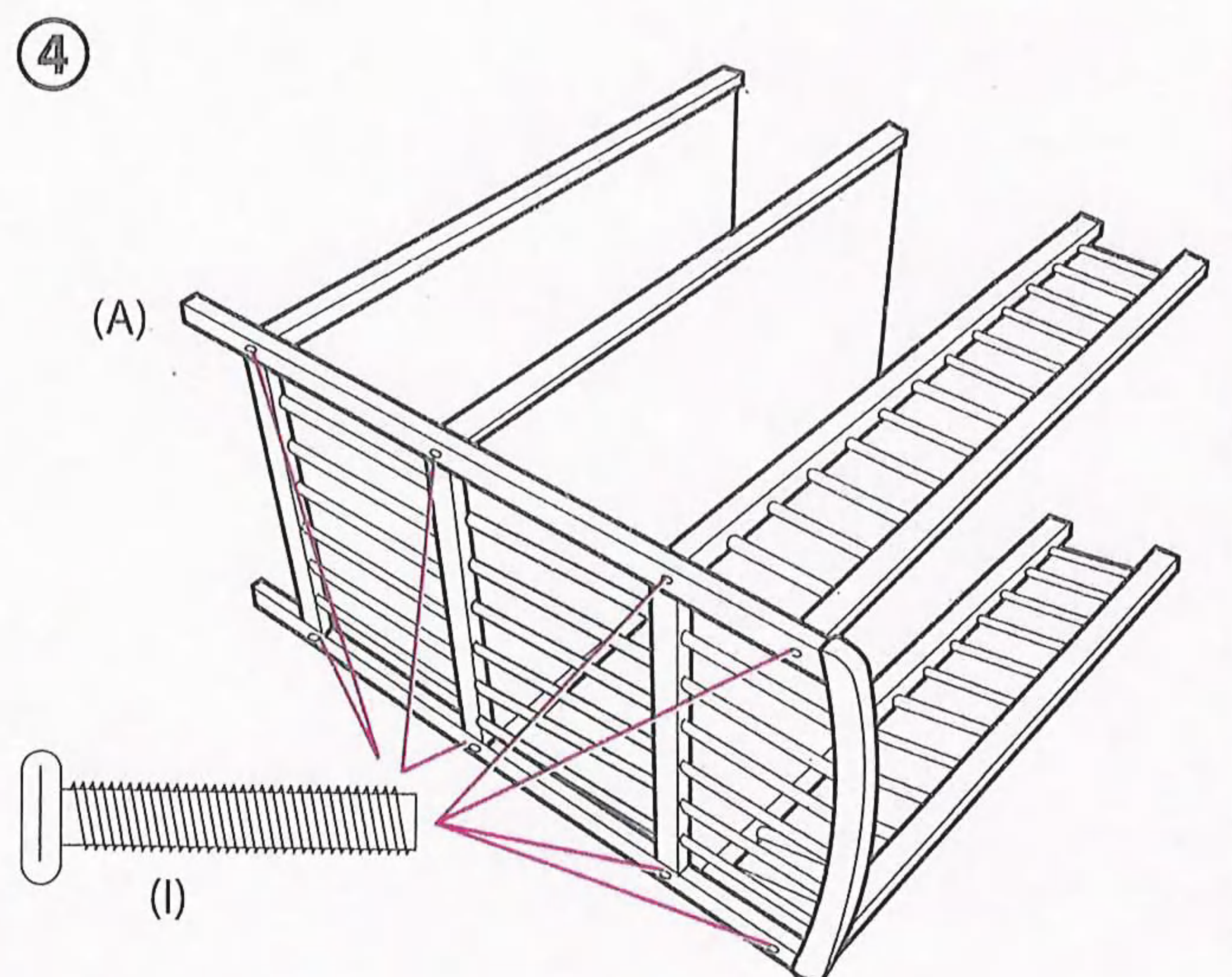


Middle Shelf Assembly.

3. Pre-assemble items as shown in *figure 3*. Once assembled lay flat with supports facing down and secure shelf insert to middle support using two screws. *Figure 3a*

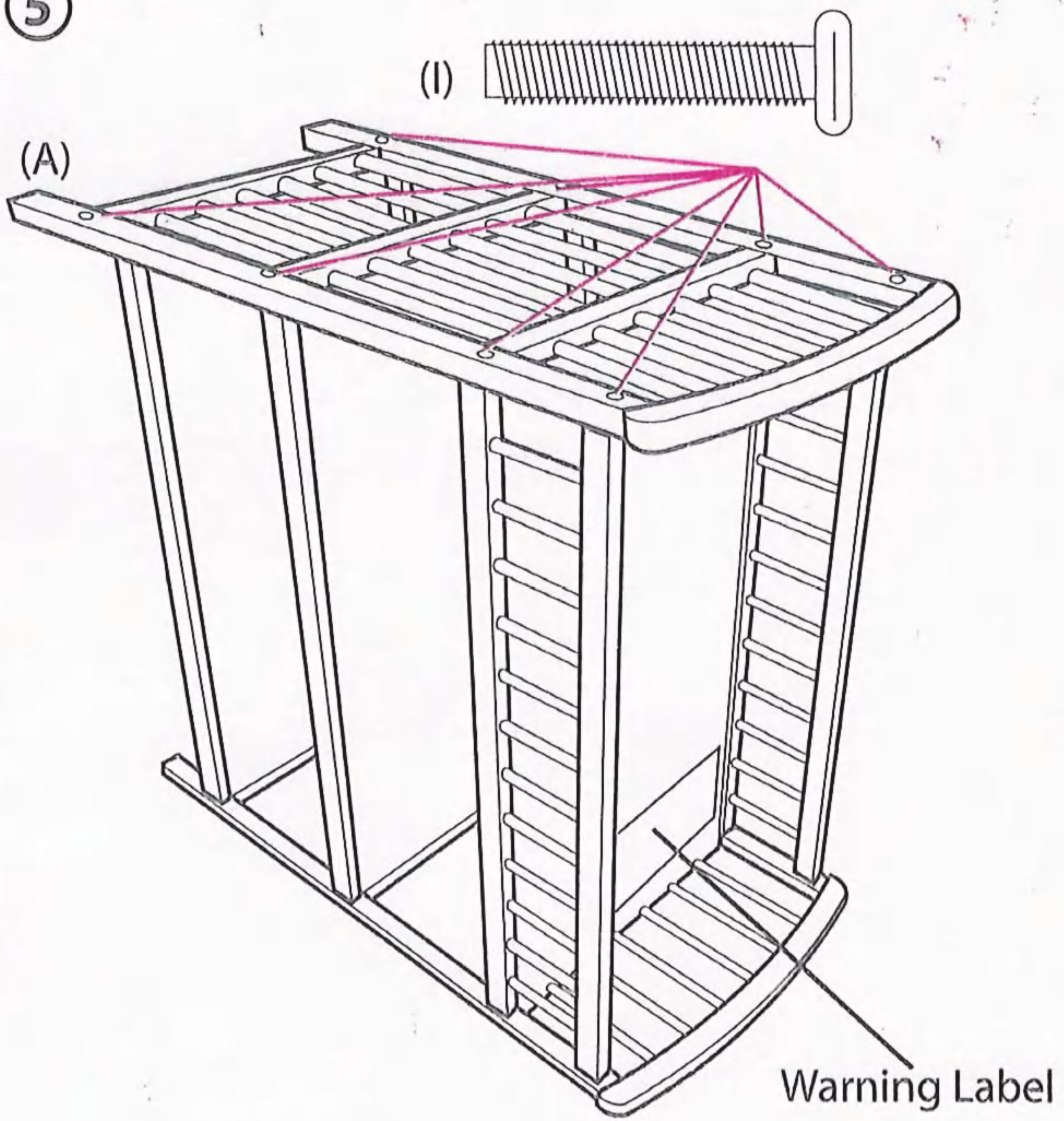
Bottom Shelf Assembly.

4. Same as Middle Shelf assembly. See above.



4. Insert the assembled shelves into one of the End Frames (A). Secure in place using 8 bolts (I). *Figure 4*

5



Complete.

5. Stand unit on end and place the second End Frame (A) unto the shelves. Secure in place using 8 bolts (I). *Figure 5*

IMPORTANT INFORMATION:

BEFORE YOU BEGIN ASSEMBLY, READ ALL DIRECTIONS. MAKE SURE ALL PRE-ASSEMBLED PARTS ARE TIGHT. STORE THIS INSTRUCTION MANUAL FOR FUTURE REFERENCE.

IF A PART IS MISSING OR YOU HAVE ANY QUESTIONS CALL DREAM ON ME. DO NOT RETURN THE PRODUCT OR PARTS TO THE STORE WHERE THEY WERE PURCHASED. PLEASE CALL DREAM ON ME AT 732-752-7220.

IMPORTANT: IN ORDER TO HELP OUR CUSTOMER SERVICE REPRESENTATIVES BETTER ASSIST YOU, WE REQUIRE THAT YOU COMPLETE THE INFORMATION BELOW BEFORE CALLING:

MODEL NUMBER: 607

MANUFACTURES CODE:

NOTE: THE LABEL CONTAINING THE MODEL NUMBER AND MANUFACTURES CODE CAN BE FOUND ON THE UNDERSIDE OF THE TOP SHELF.

CLEANING

To clean this product, use only mild household soap and warm water. Do not use bleach or detergent. Do not use abrasive cleaners which can scratch the finish of the Table. Use clean soft cloths to wash, rinse and dry. With proper care, the quality finish will last a long time. Wood surfaces may be treated with a light application of a good grade of non toxic furniture polish.



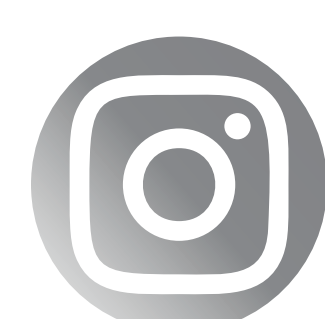
1532, S. Washington Avenue
Piscataway, NJ 08854
E-mail: info@dreamonme.com

www.dreamonme.com

Follow us on



[@dreamonmeinc](https://www.facebook.com/dreamonmeinc)

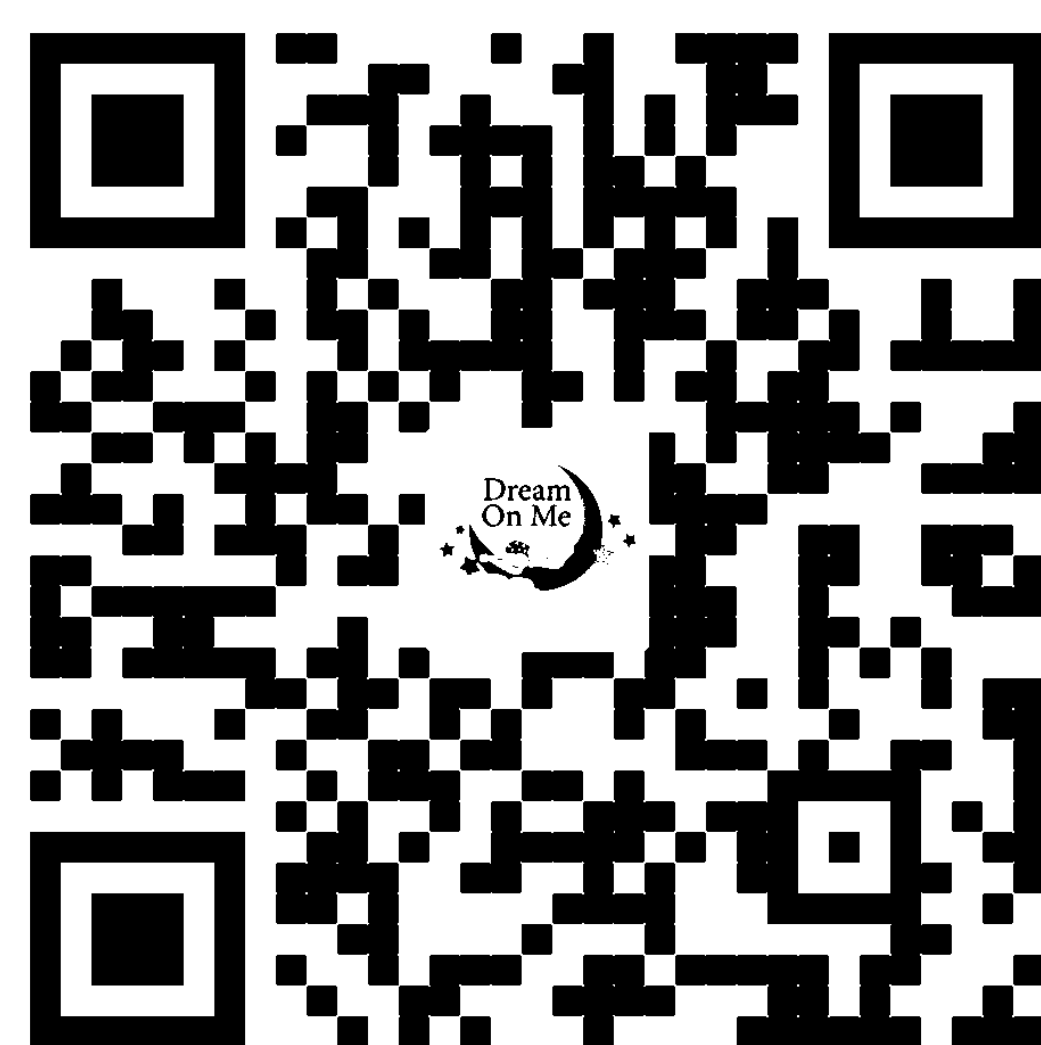


[@dreamonmeinc](https://www.instagram.com/dreamonmeinc)

to get your nursery featured on our social media.

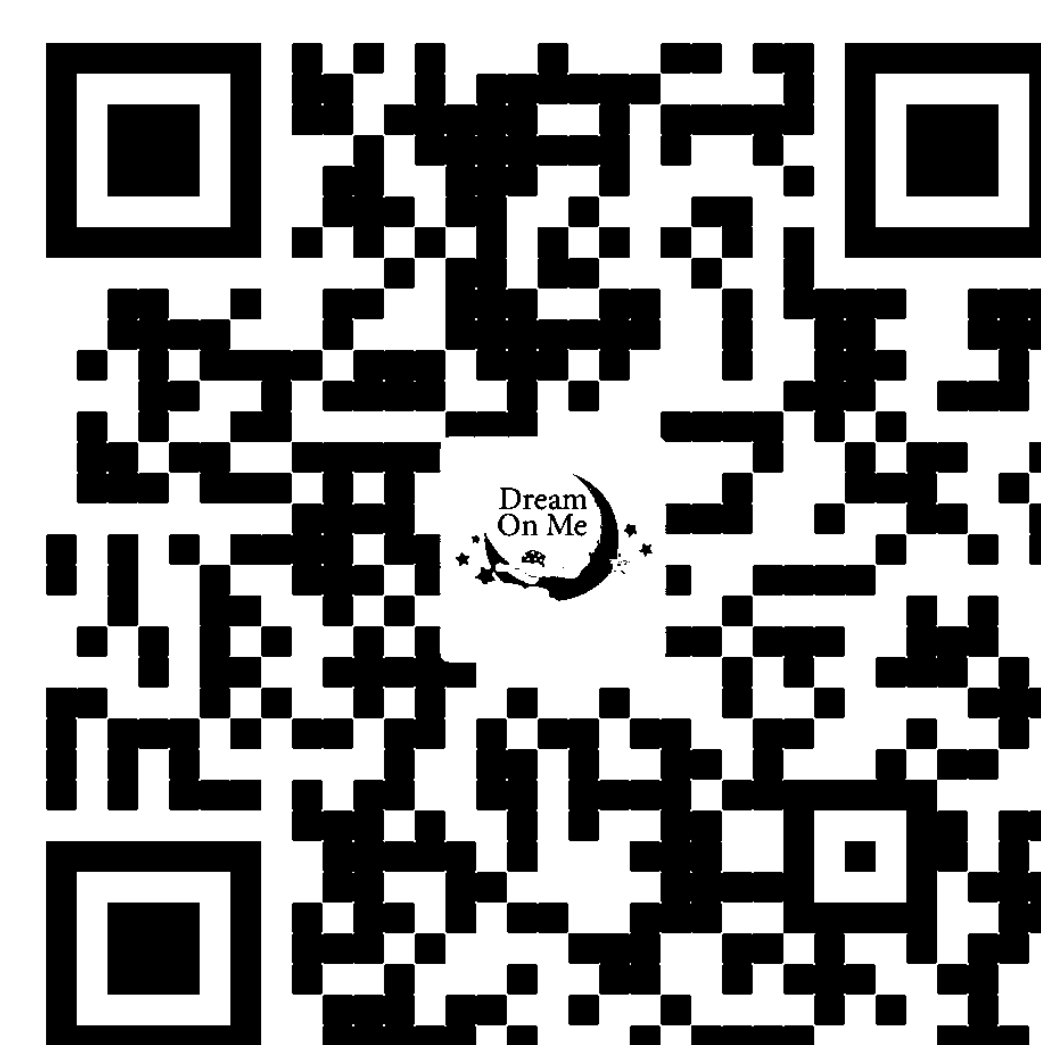
Enter our monthly giveaway!

Simply scan the QRcode to register.



Chat with us!

For any questions or concerns or feedback.



DOM
FAMILY

