

Dream On Me Inc.
1532 S Washington Ave
Piscataway Township, NJ 08854
Email: info@dreamonme.com
www.dreamonme.com



ASSEMBLY INSTRUCTIONS

ITEM NO: 605

ICON WARNING FAILURE TO FOLLOW THESE WARNINGS AND ASSEMBLY INSTRUCTIONS COULD RESULT IN SERIOUS INJURY OR DEATH

READ ALL INSTRUCTIONS BEFORE ASSEMBLING CHANGING TABLE. KEEP INSTRUCTIONS FOR FUTURE USE. DO NOT USE THIS CHANGING TABLE IF THE INSTRUCTIONS CANNOT BE STRICTLY FOLLOWED.

BEFORE EACH USE OR ASSEMBLY, INSPECT THE UNIT FOR DAMAGED HARDWARE, LOOSE JOINT, MISSING PARTS OR SHARP EDGES. DO NOT USE UNIT IF ANY PARTS ARE MISSING OR DAMAGED. ASK YOUR DEALER OR CALL DREAM ON ME AT 908-791-0555 OR WRITE TO 125 HELEN STREET S. PLAINFIELD NJ 07080, USA FOR REPLACEMENT PARTS AND INSTRUCTIONAL LITERATURE IF NEEDED. DO NOT SUBSTITUTE PARTS.

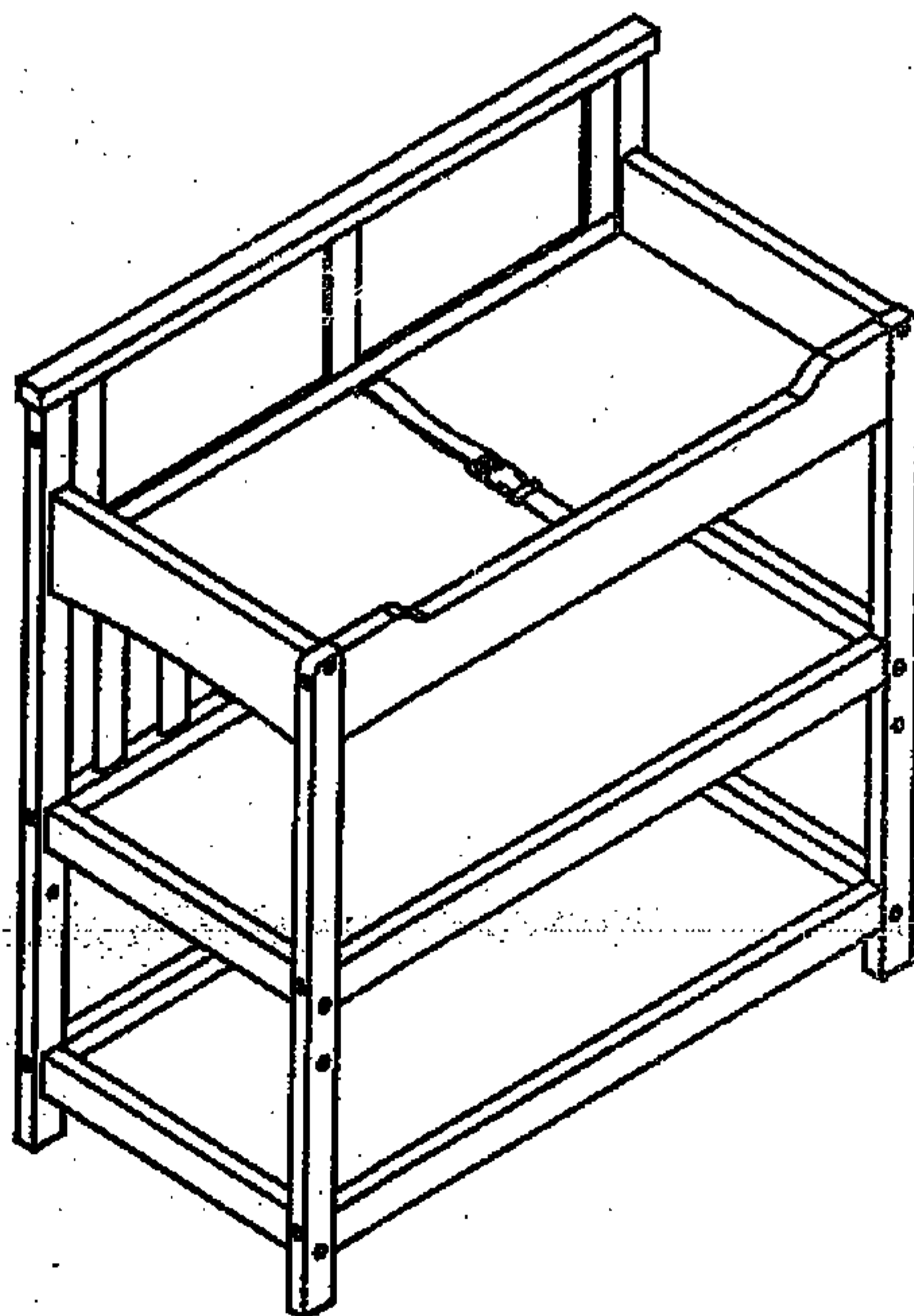
FALL HAZARD- TO PREVENT DEATH OR SERIOUS INJURY, ALWAYS KEEP CHILD WITHIN ARM'S REACH. NEVER LEAVE CHILD UNATTENDED.

USE ONLY PAD PROVIDED BY THE MANUFACTURER.

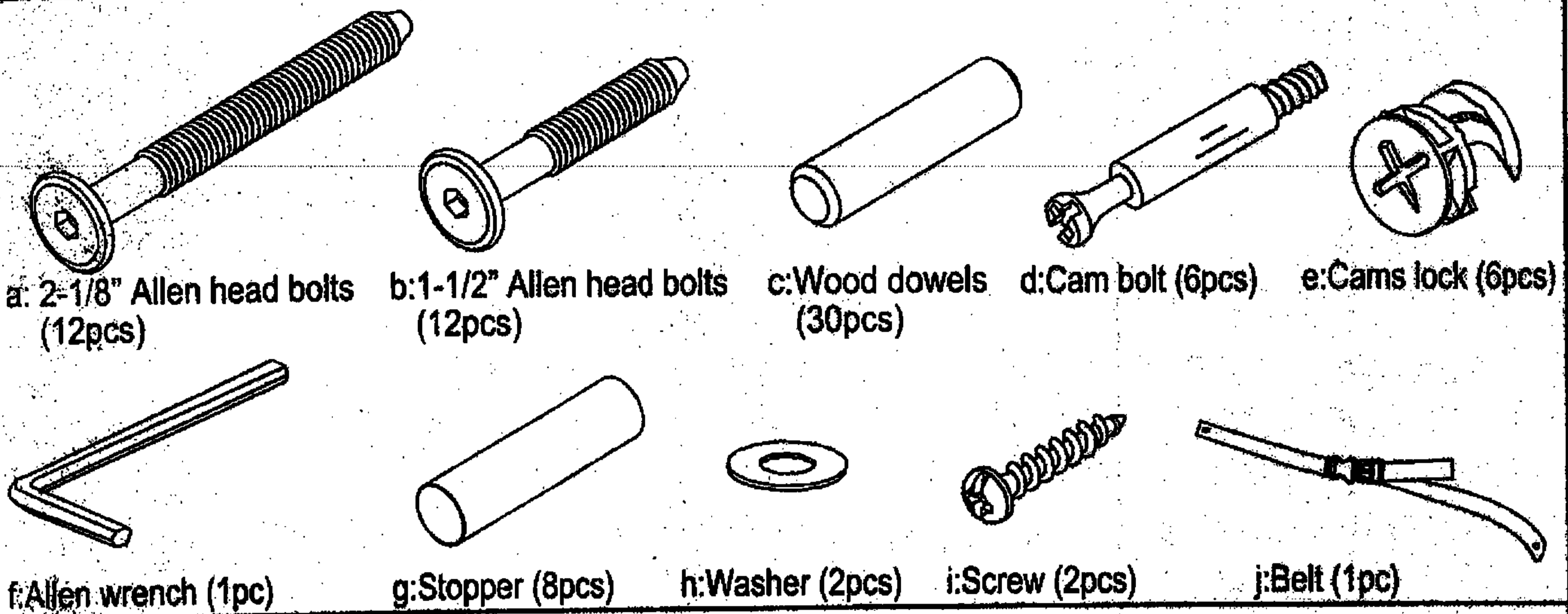
DO NOT USE THE CHANGING TABLE IF IT IS DAMAGED OR BROKEN

MAXIMUM WEIGHT OF CHILD: 30 POUNDS (13.7 KG)

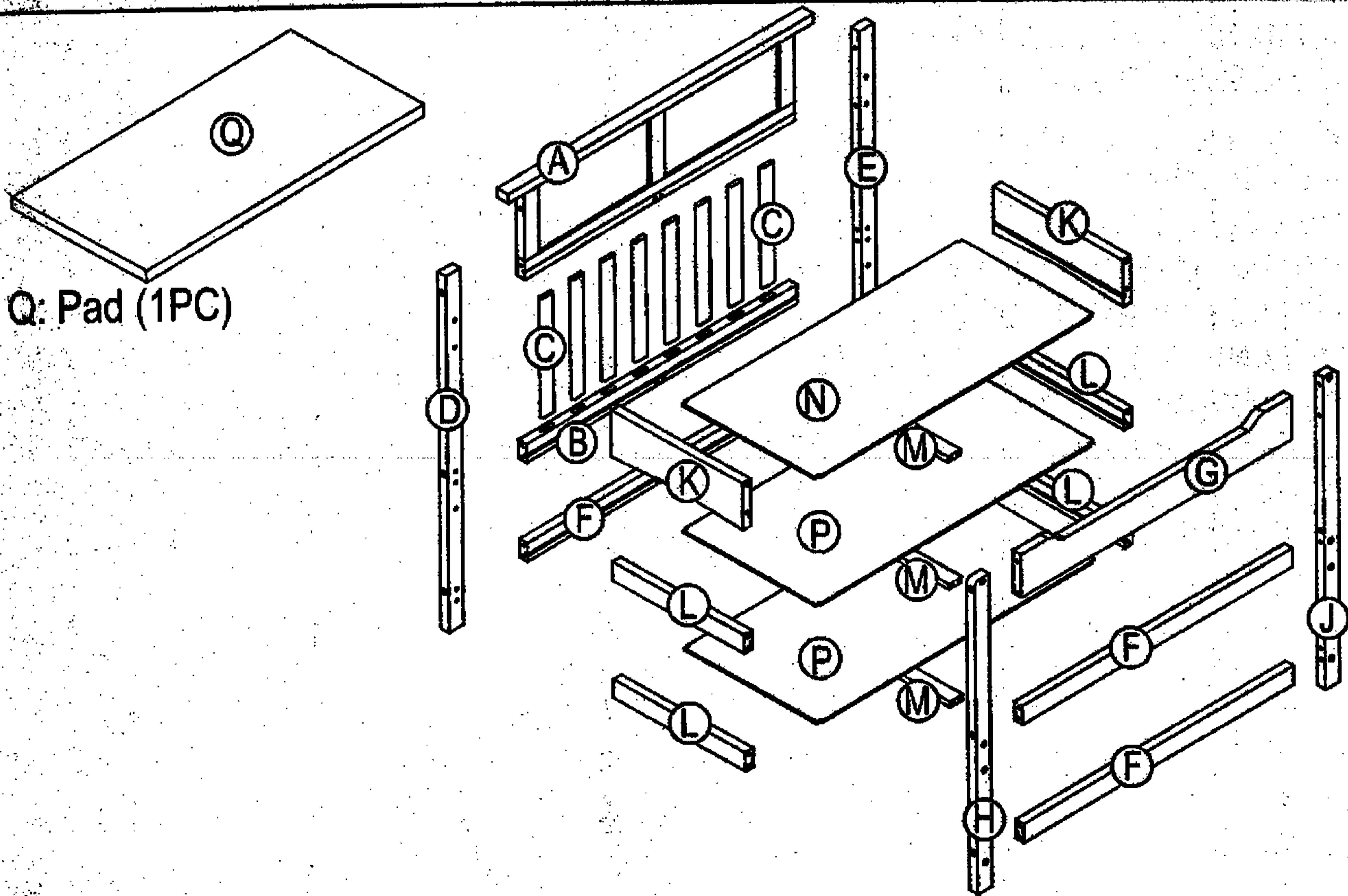
CLEANING: TO CLEAN THIS PRODUCT USE ONLY MILD HOUSEHOLD SOAP AND WARM WATER. DO NOT USE BLEACH OR DETERGENT. DO NOT USE ABRASIVE CLEANERS WHICH CAN SCRATCH THE FINISH. USE CLEAN SOFT CLOTHS TO WASH, RINSE AND DRY. WITH PROPER CARE, THE QUALITY FINISH WILL LAST A LONG TIME. WOOD SURFACES MAY BE TREATED WITH A LIGHT APPLICATION OF NON TOXIC FURNITURE POLISH.



HARDWARE AND TOOLS DIAGRAM



PARTS LIST



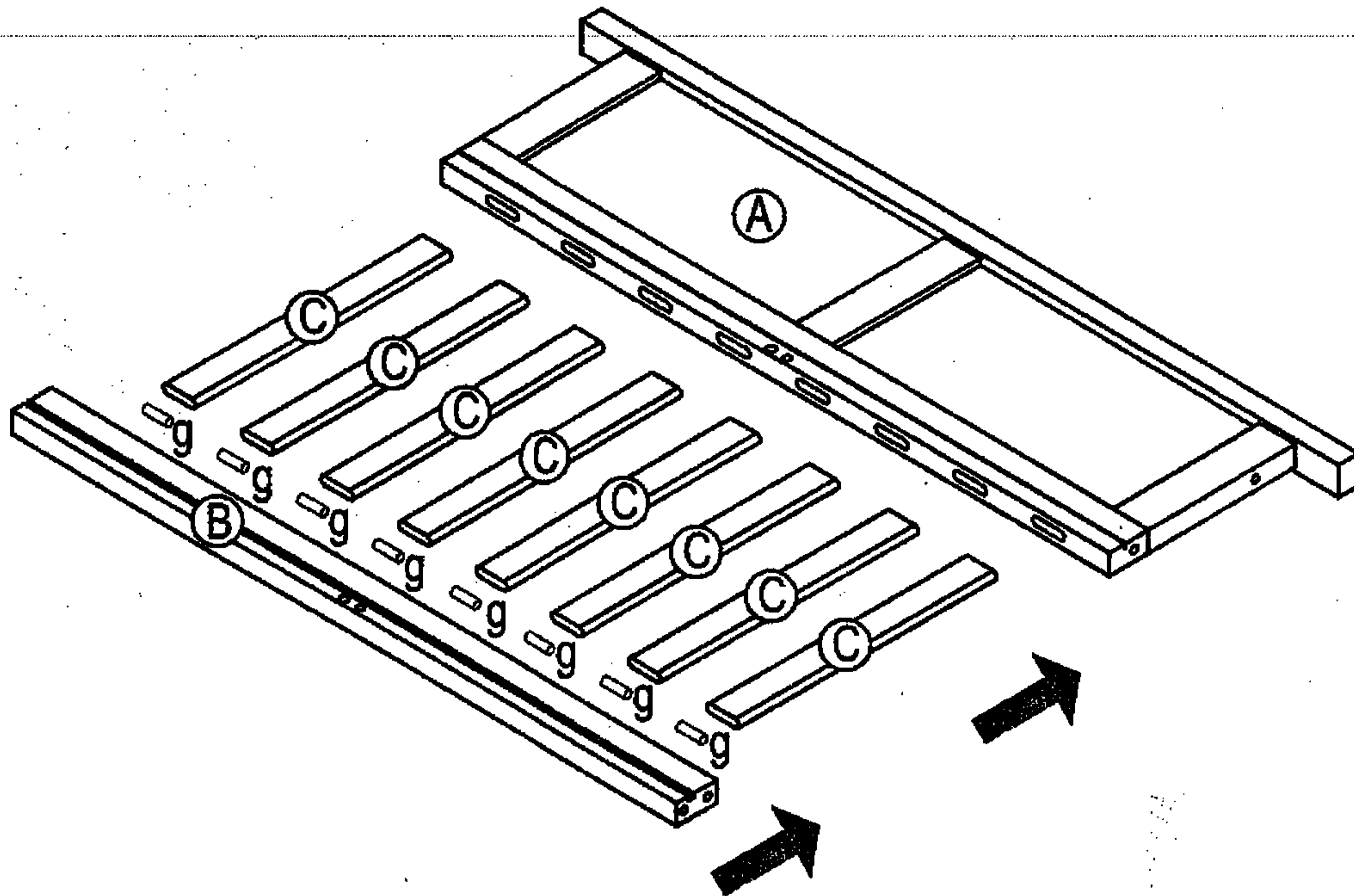
- A: Back top rail (1PC)
- B: Back middle rail (1PC)
- C: Slat (8PCS)
- D: Left back leg (1PC)
- E: Right back leg (1PC)
- F: Lower rail (3PCS)
- G: Front top rail (1PC)

- H: Left front leg (1PC)
- J: Right front leg (1PC)
- K: Left /Right top rail (2PCS)
- L: Left /Right lower rail (4PCS)
- M: Middle bar (3PCS)
- N: Top shelf insert (1PCS)
- P: Lower shelf insert (2PCS)

STEP 1

Press the stopper (g) into the Back middle rail with slide (B) with cross bar (C), connect the cross bar (C) to Back top rail (A).

Please notes:dowel end should fit into hole in the groove.

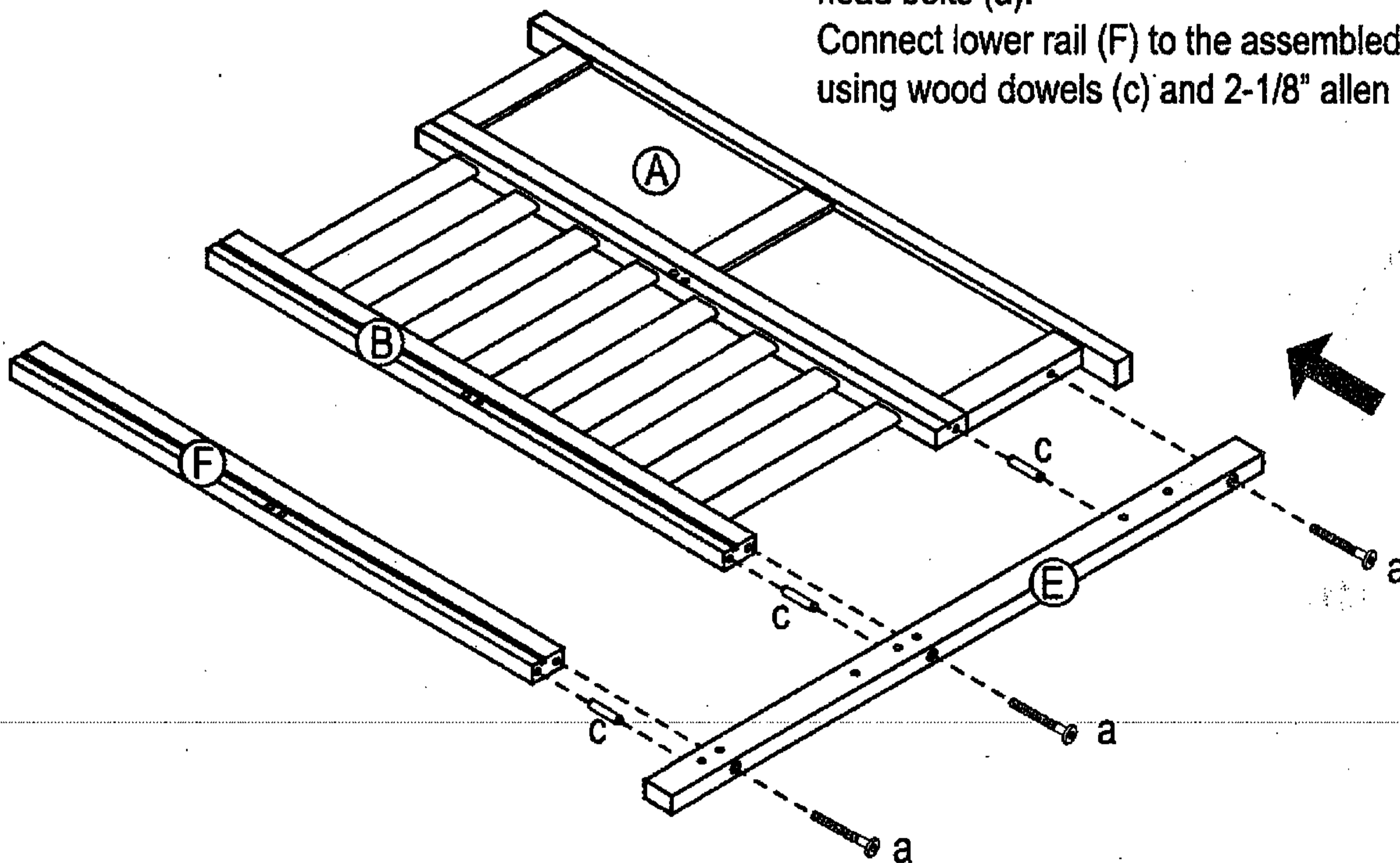


STEP 2

Use allen wrench (f) to connect bolts.

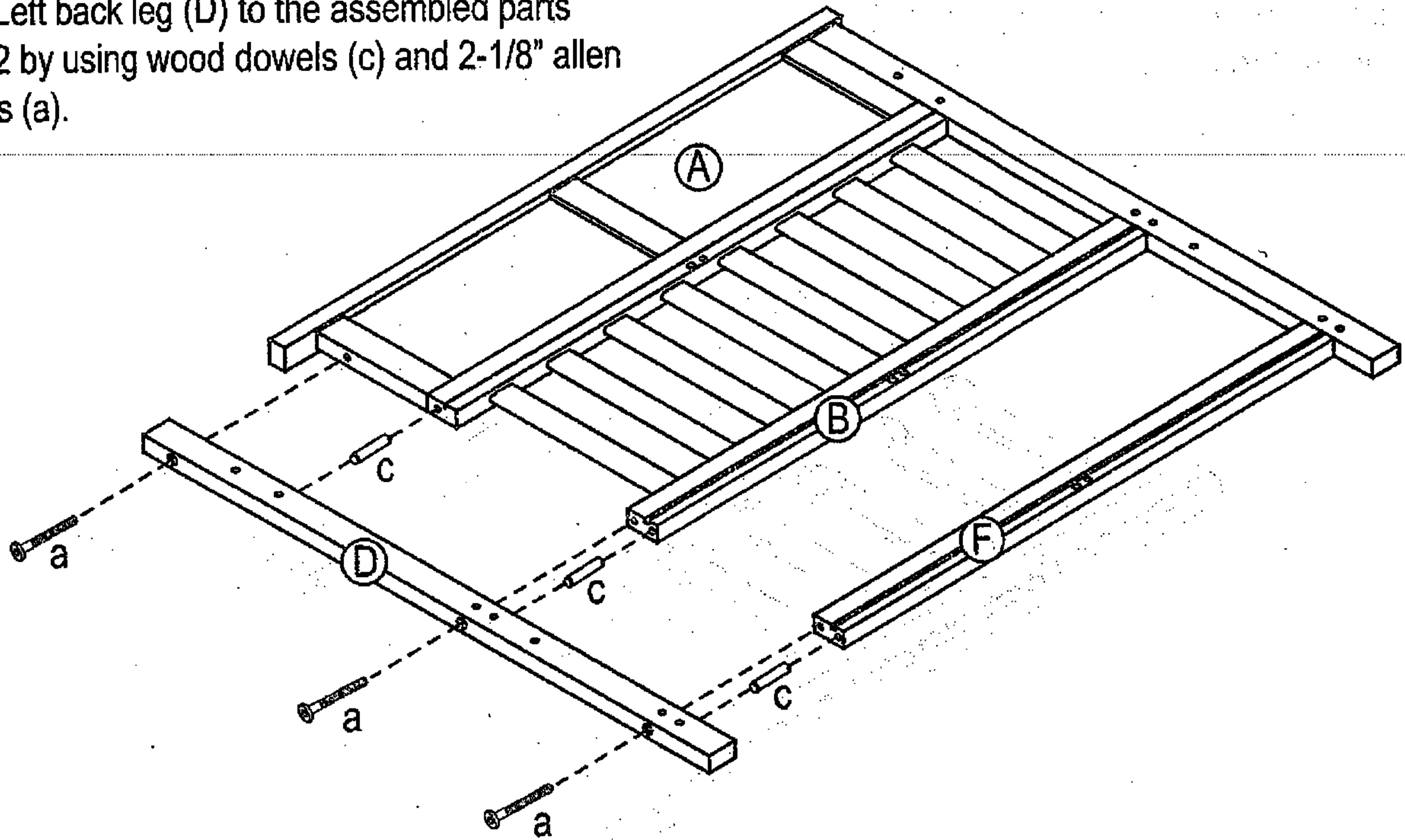
Connect Right back leg (E) to the assembled parts of STEP 1 by using wood dowels (c) and 2-1/8" allen head bolts (a).

Connect lower rail (F) to the assembled parts by using wood dowels (c) and 2-1/8" allen head bolts (a)



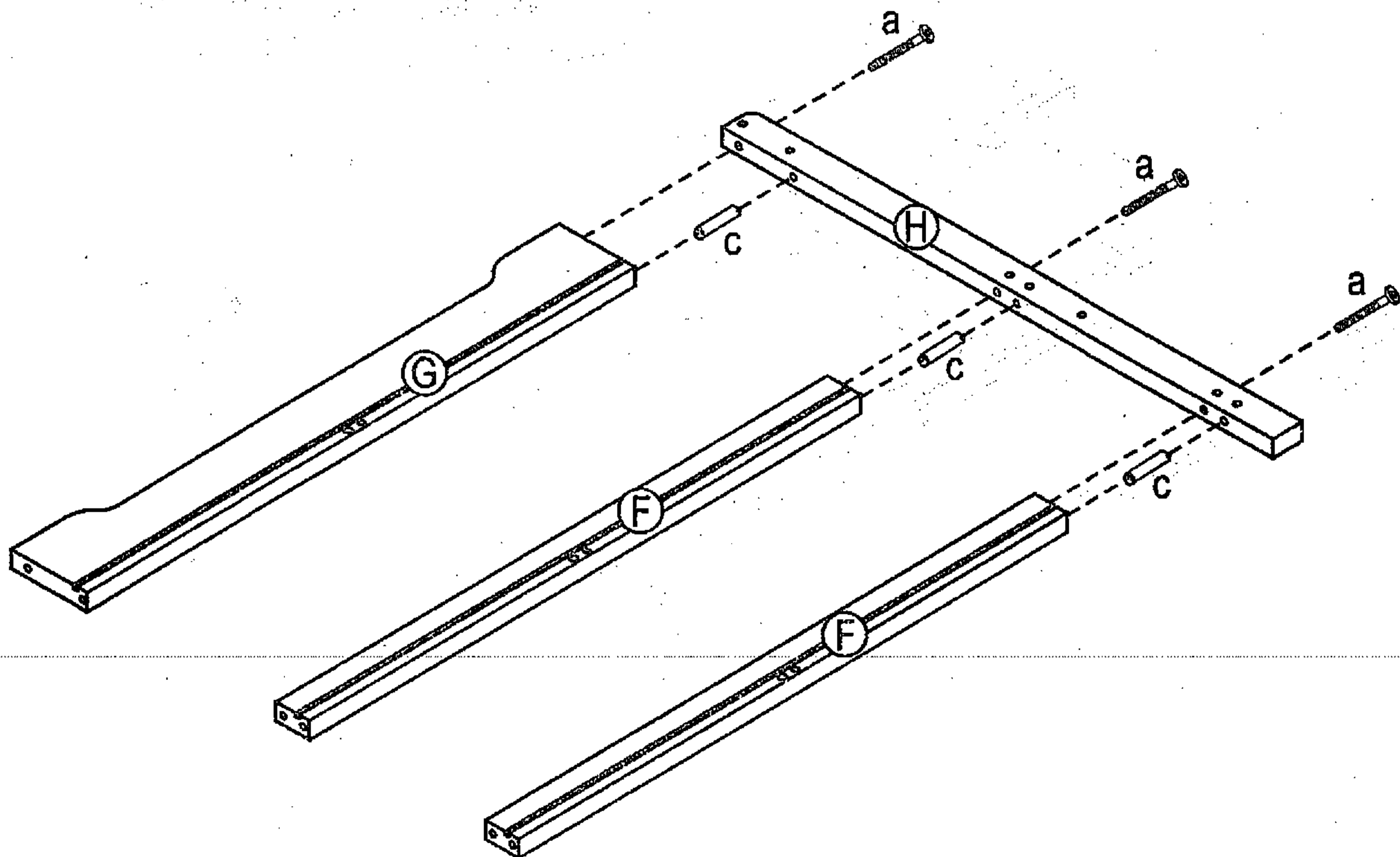
STEP 3

Use allen wrench (f) to connect bolts.
Connect Left back leg (D) to the assembled parts
of STEP 2 by using wood dowels (c) and 2-1/8" allen
head bolts (a).



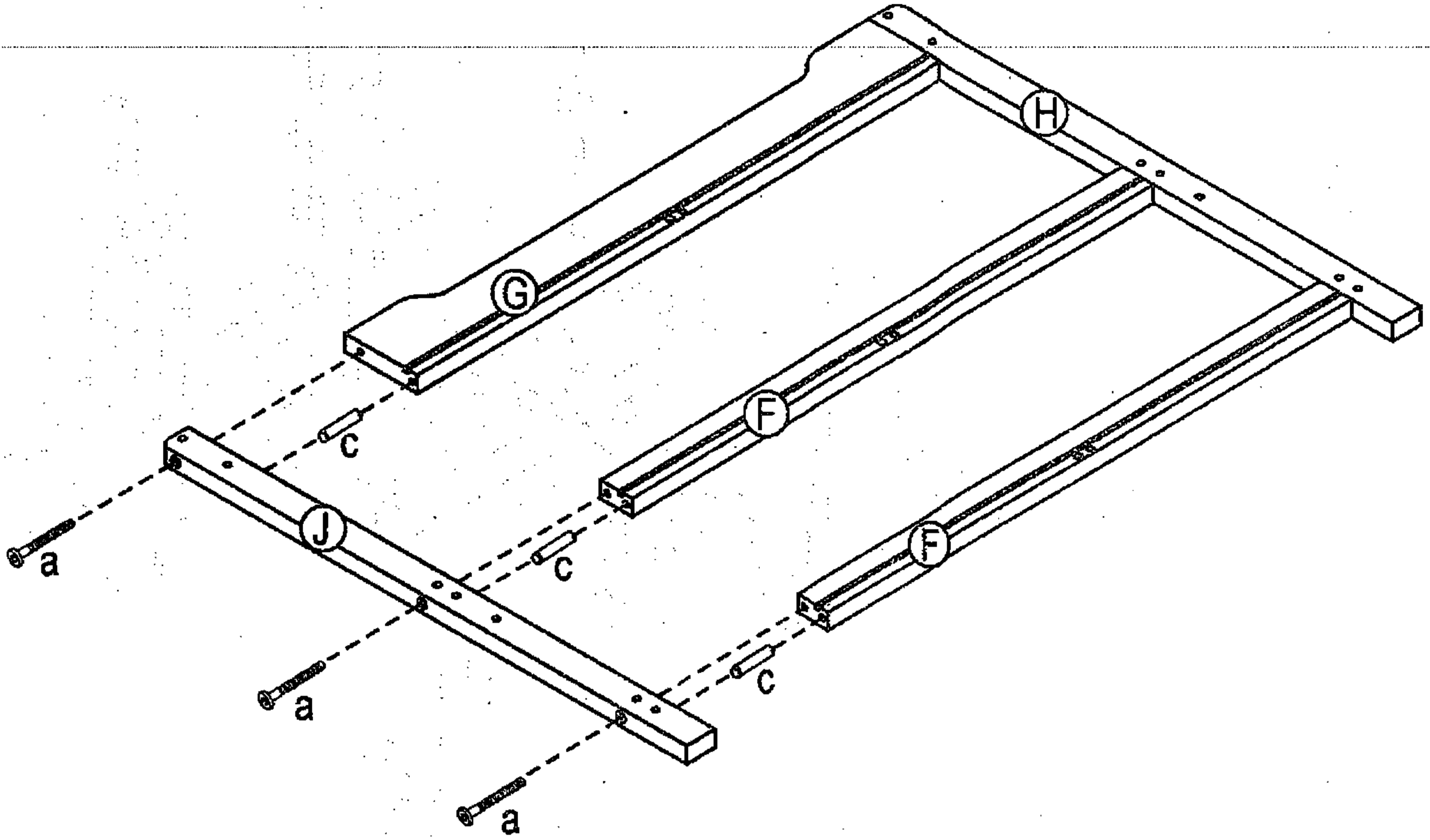
STEP 4

Use allen wrench (f) to connect bolts.
Connect Left front leg (H) to Front top rail (G) and Lower rail (F)
by using wood dowels (c) and 2-1/8" allen head bolts (a).



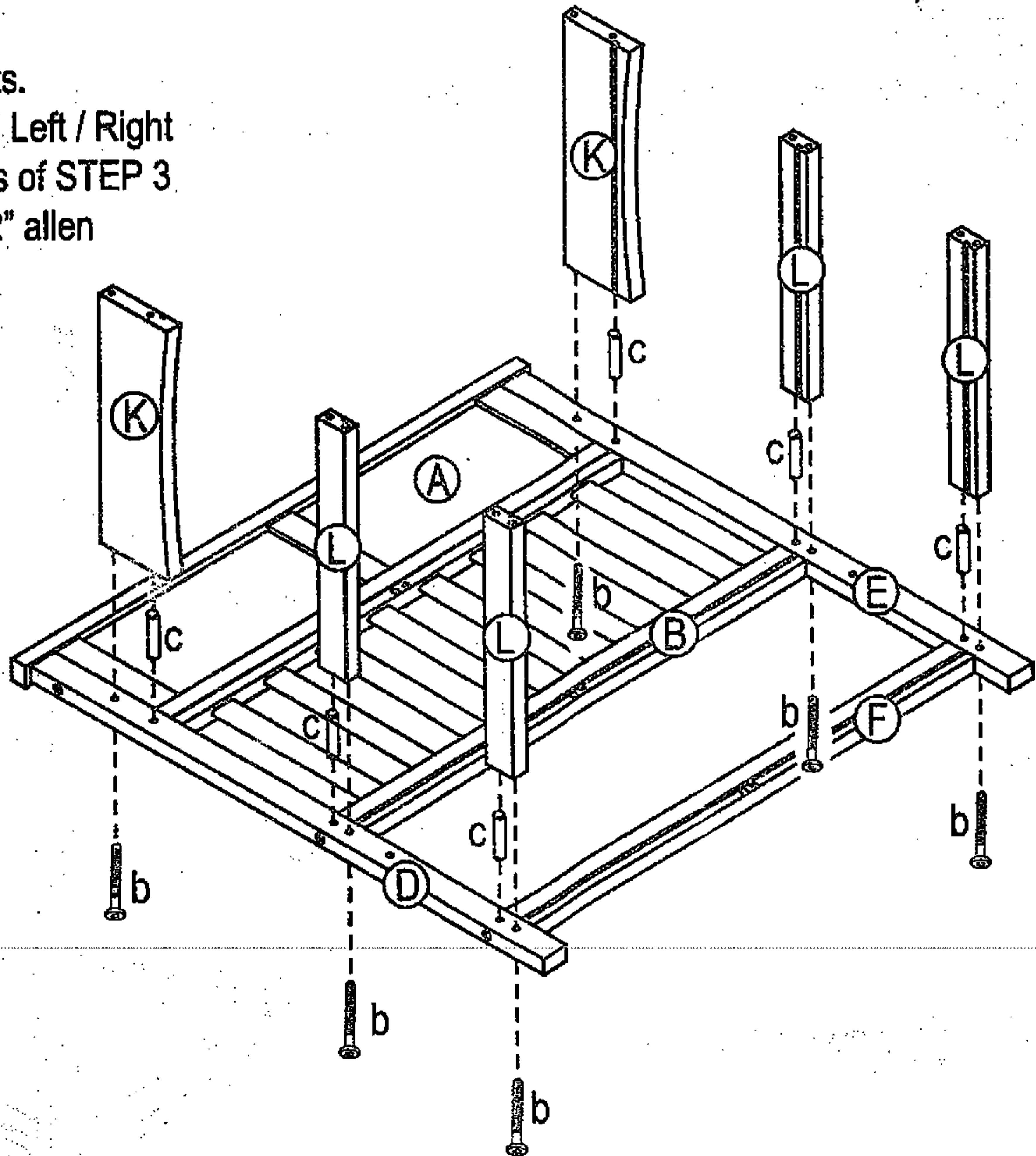
STEP 5

Use allen wrench (f) to connect bolts.
Assemble Right front leg (J) to the assembled parts
of STEP 4 use the same way as shown in STEP 4.



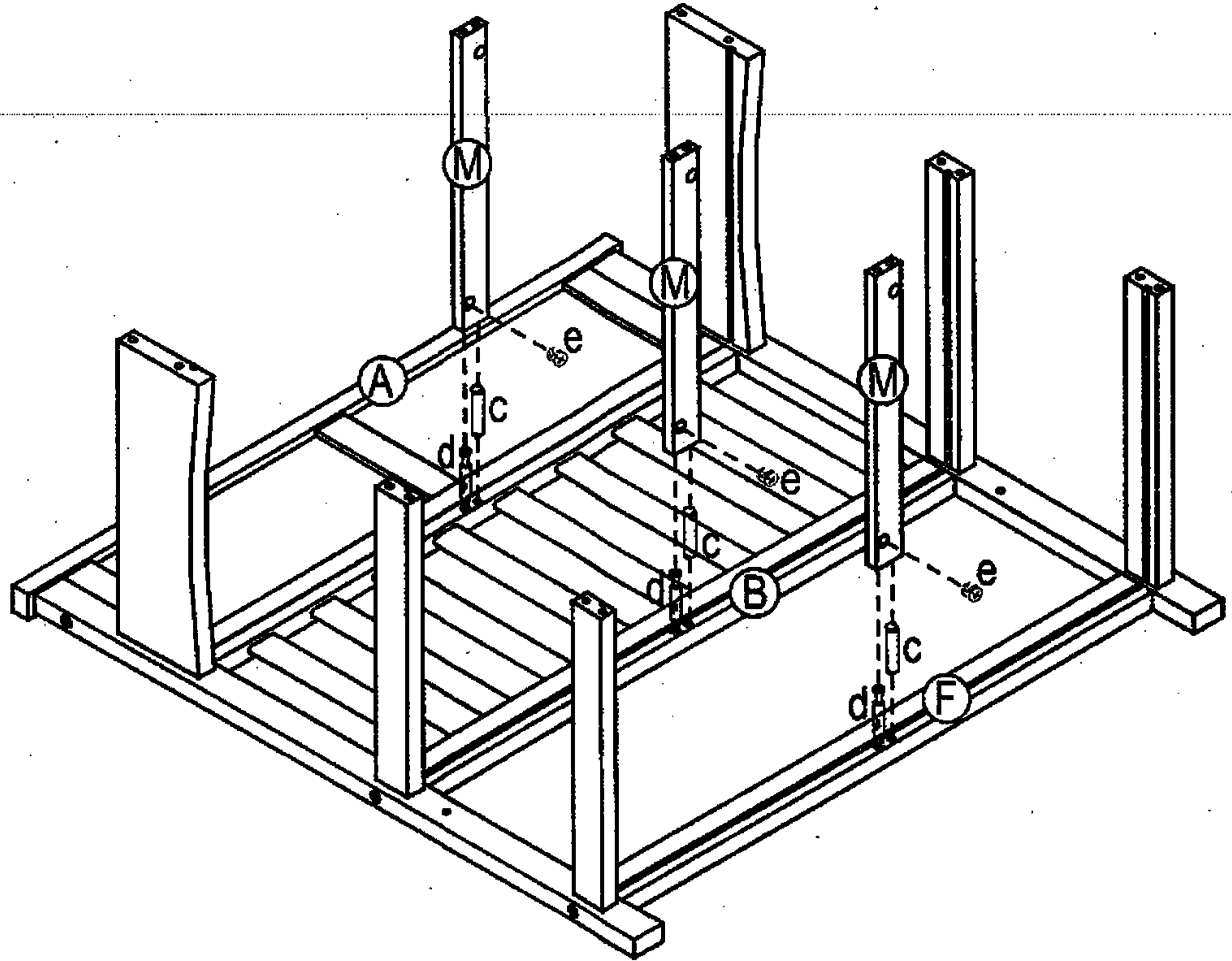
STEP 6

Use allen wrench (f) to connect bolts.
Connect Left / Right top rail (K) and Left / Right
lower rail (L) to the assembled parts of STEP 3
by using wood dowels (c) and 1-1/2" allen
head bolts (b).



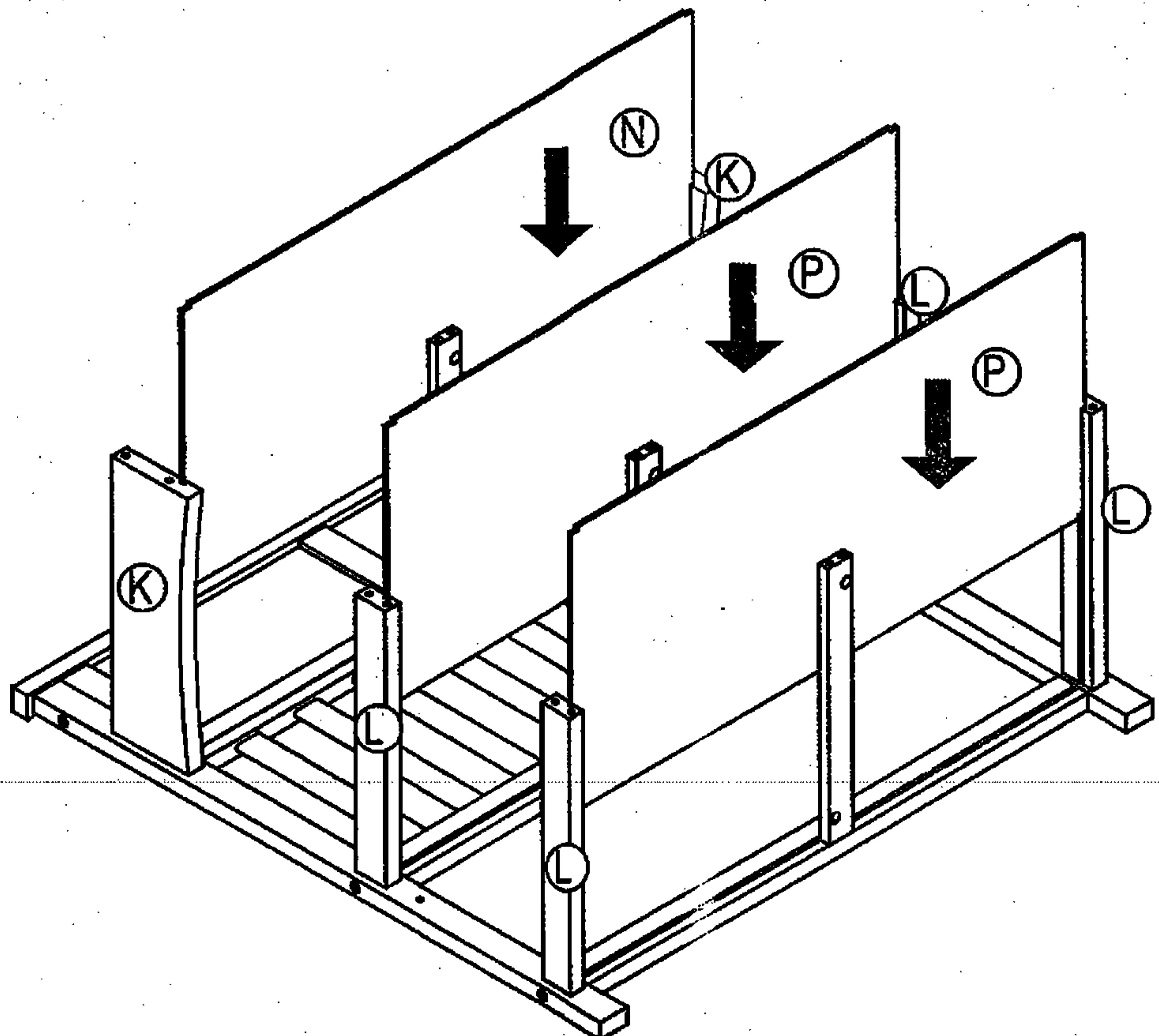
STEP 7

Connect Middle bar (M) to the assembled parts of STEP 6 by using wood dowels (c), Cam bolt (d) and Cams lock (e).



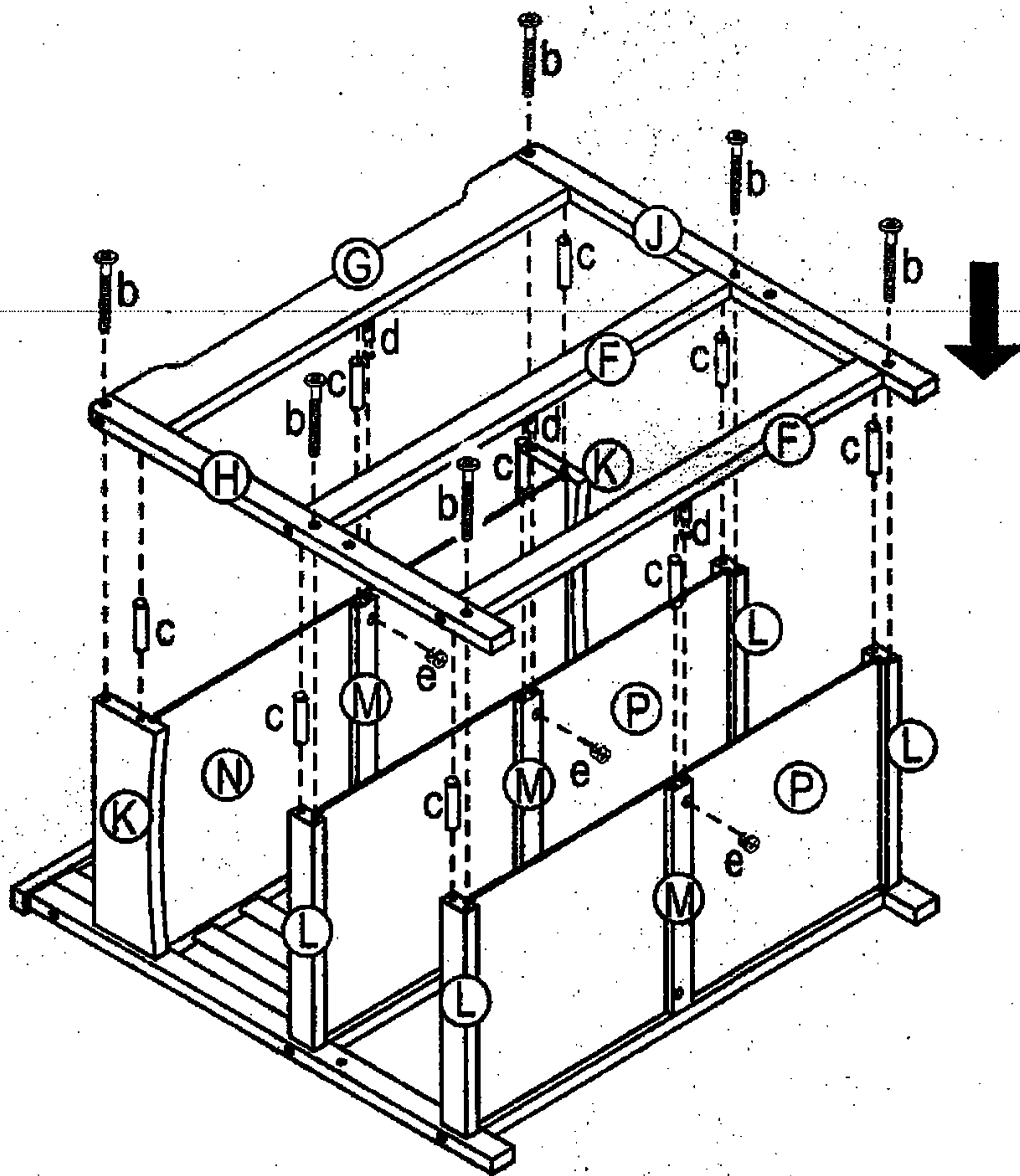
STEP 8

Slide the Top shelf insert (N) into the grooves on Left / Right top rail (K) and Left / Right top rail (K).
Slide the Lower shelf insert (P) into the grooves on Left / Right lower rail (L) and Left / Right lower rail (L).



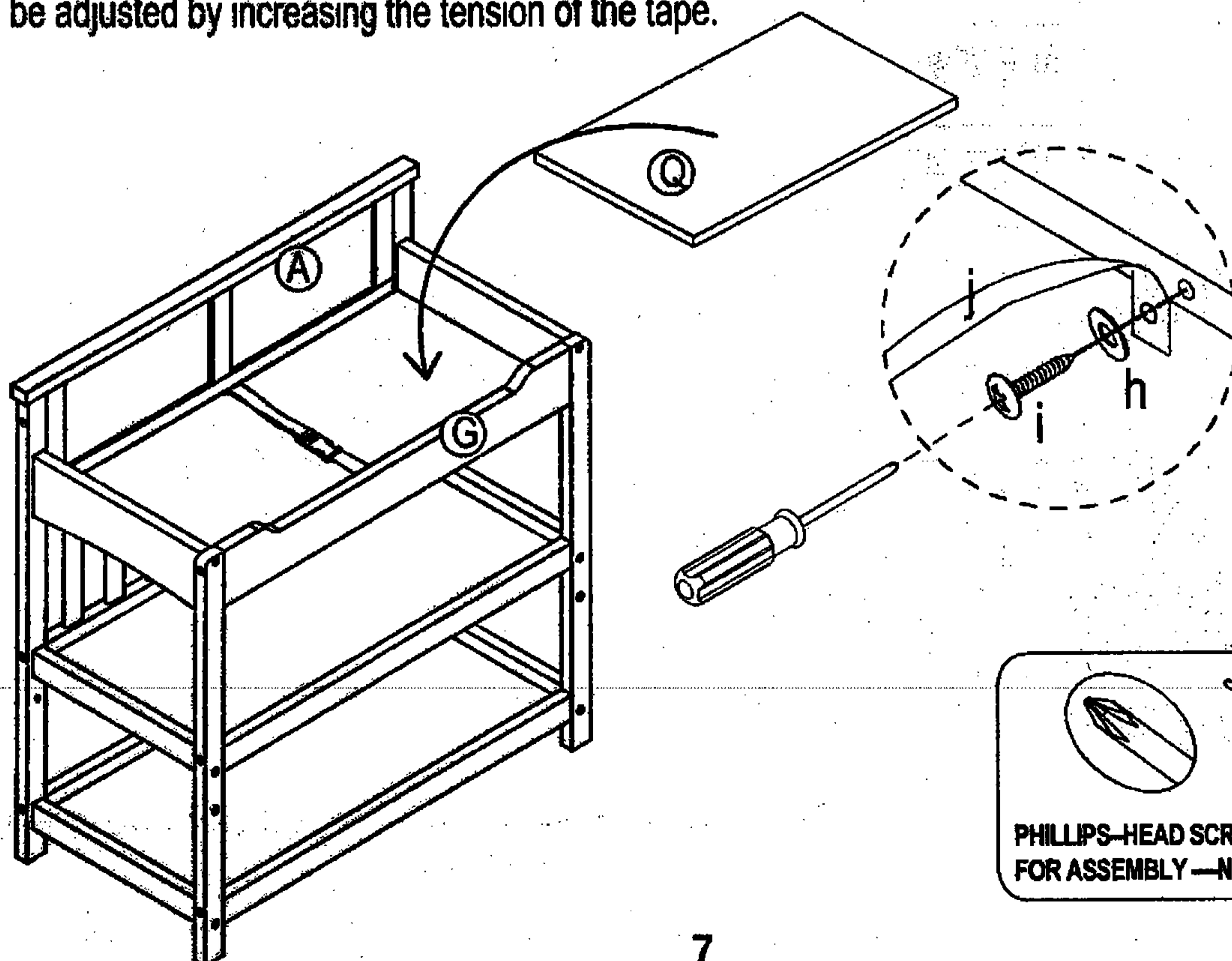
STEP 9

Use allen wrench (f) to connect bolts. Connect the assembled parts of STEP 5 to the assembled parts of STEP 8 by using wood dowels (c), 1-1/2" allen head bolts (b), cam bolt (d) and cams lock (e).



STEP 10

1. Assemble the belt (j) to the changer top rail (A&G) using washer (h) and screw (i).
2. Add the changer pad (K).
3. Put the child on the pad, then insert safety restraint system of the tape across child's waist. The tightness can be adjusted by increasing the tension of the tape.

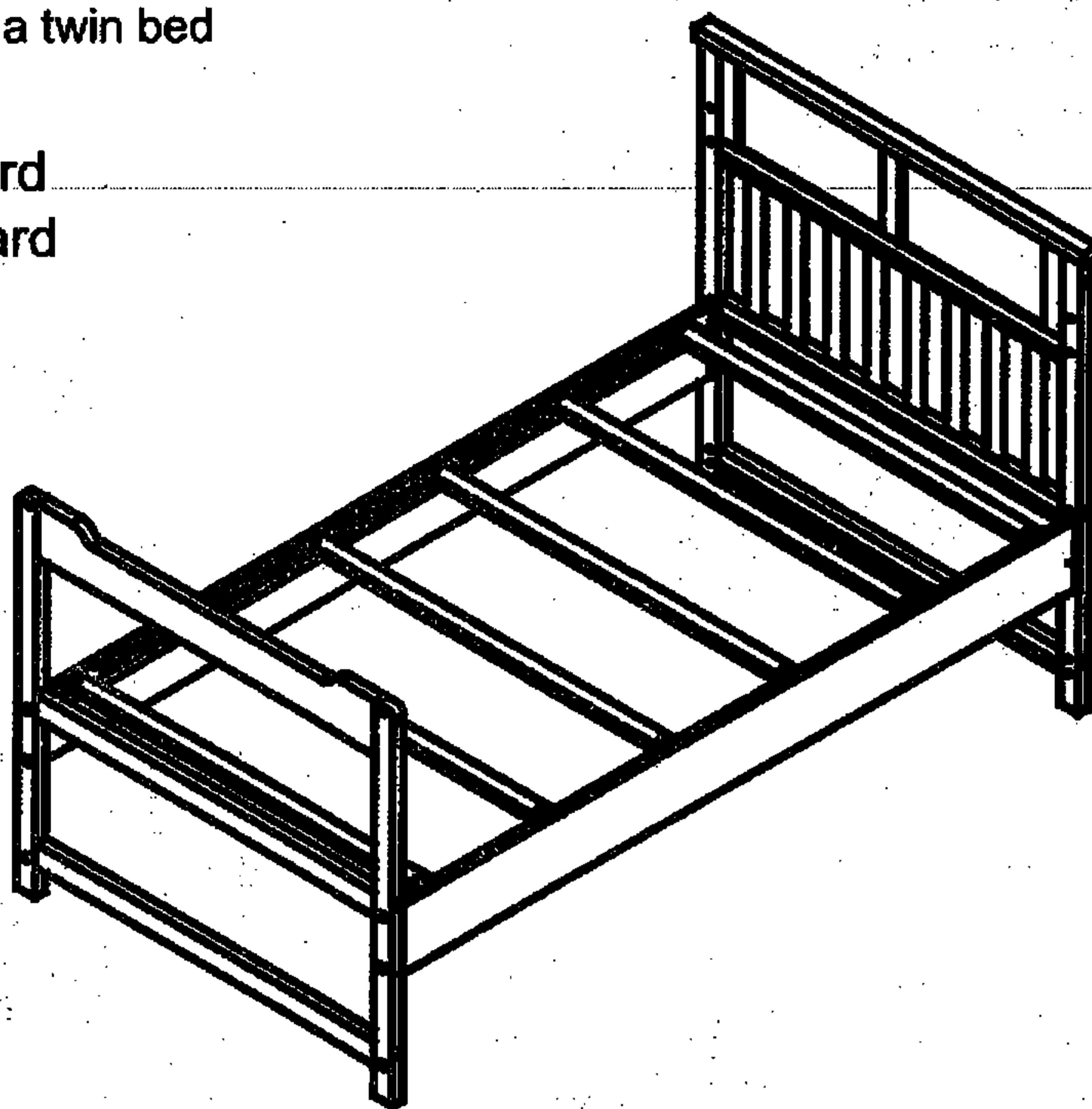


Converting changer to a twin bed I

Conversion kit is sold separately

You have the option to convert changer to a twin bed

1. Use the front rail as footboard of the bed, the back rail as headboard
2. Connect the headboard and footboard by a standard hollywood frame which is sold separately.

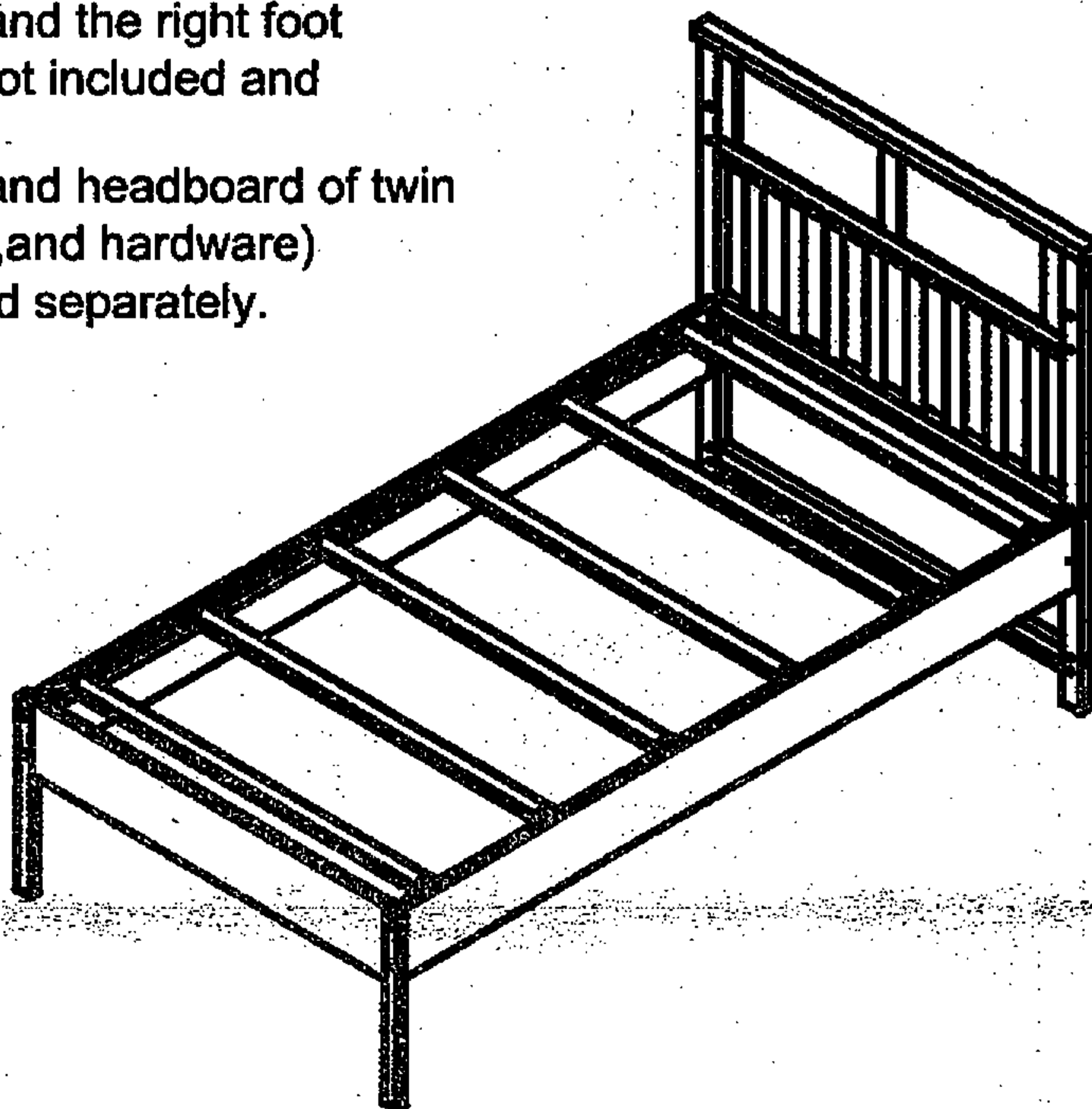


Converting changer to a twin bed II

Conversion kit is sold separately

You have the option to convert changer to a twin bed II

- 1: Use the left back leg (D) & the right back leg (E) & the back top rail (A) & the back middle rail (B) & the lower rail (F) as the headboard of twin bed.
- 2: Connect the left foot platform and the right foot platform to the rail which are not included and sold separately.
- 3: Connect the assembled parts and headboard of twin bed to the kits (legs, long rails, and hardware) which are not included and sold separately.





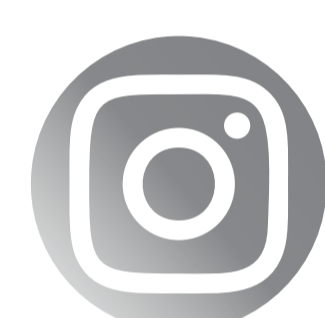
1532, S. Washington Avenue
Piscataway, NJ 08854
E-mail: info@dreamonme.com

www.dreamonme.com

Follow us on



[@dreamonmeinc](https://www.facebook.com/dreamonmeinc)

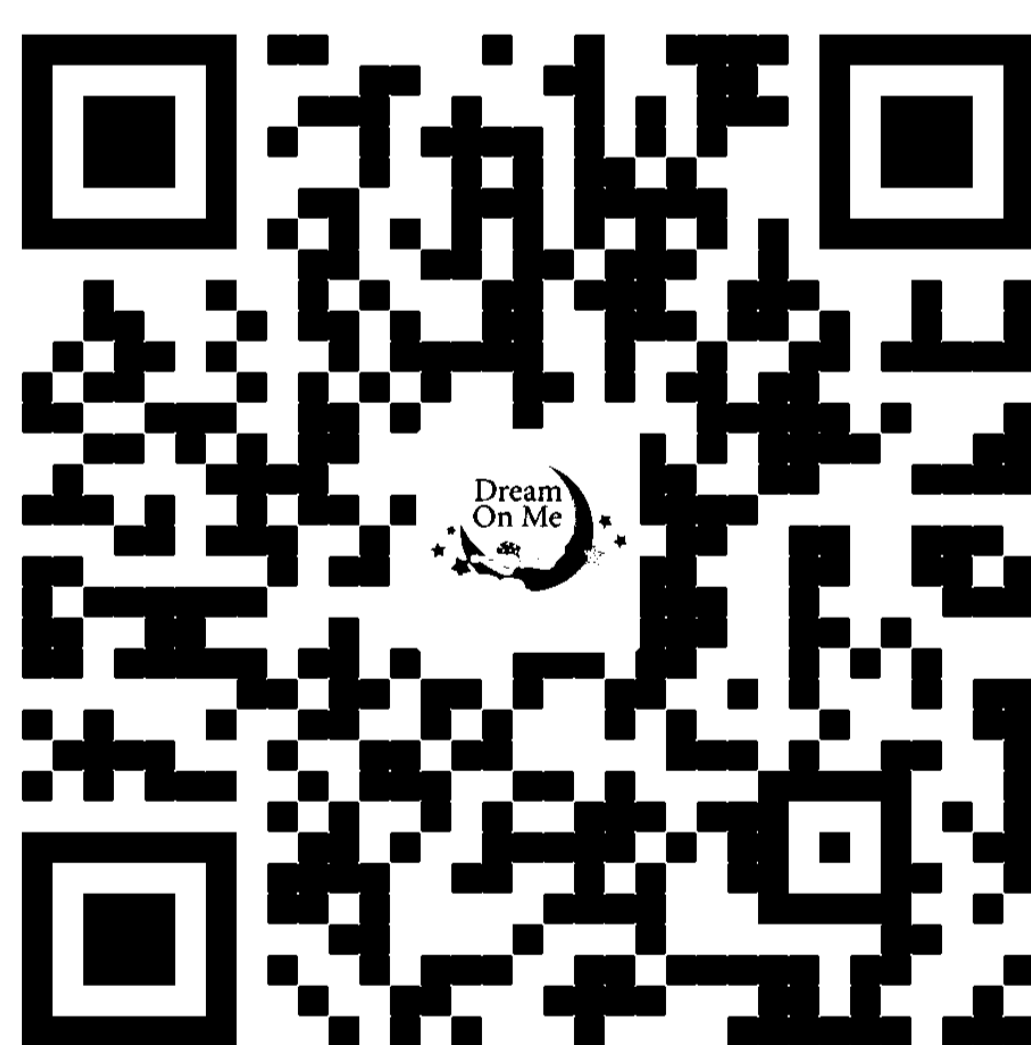


[@dreamonmeinc](https://www.instagram.com/dreamonmeinc)

to get your nursery featured on our social media.

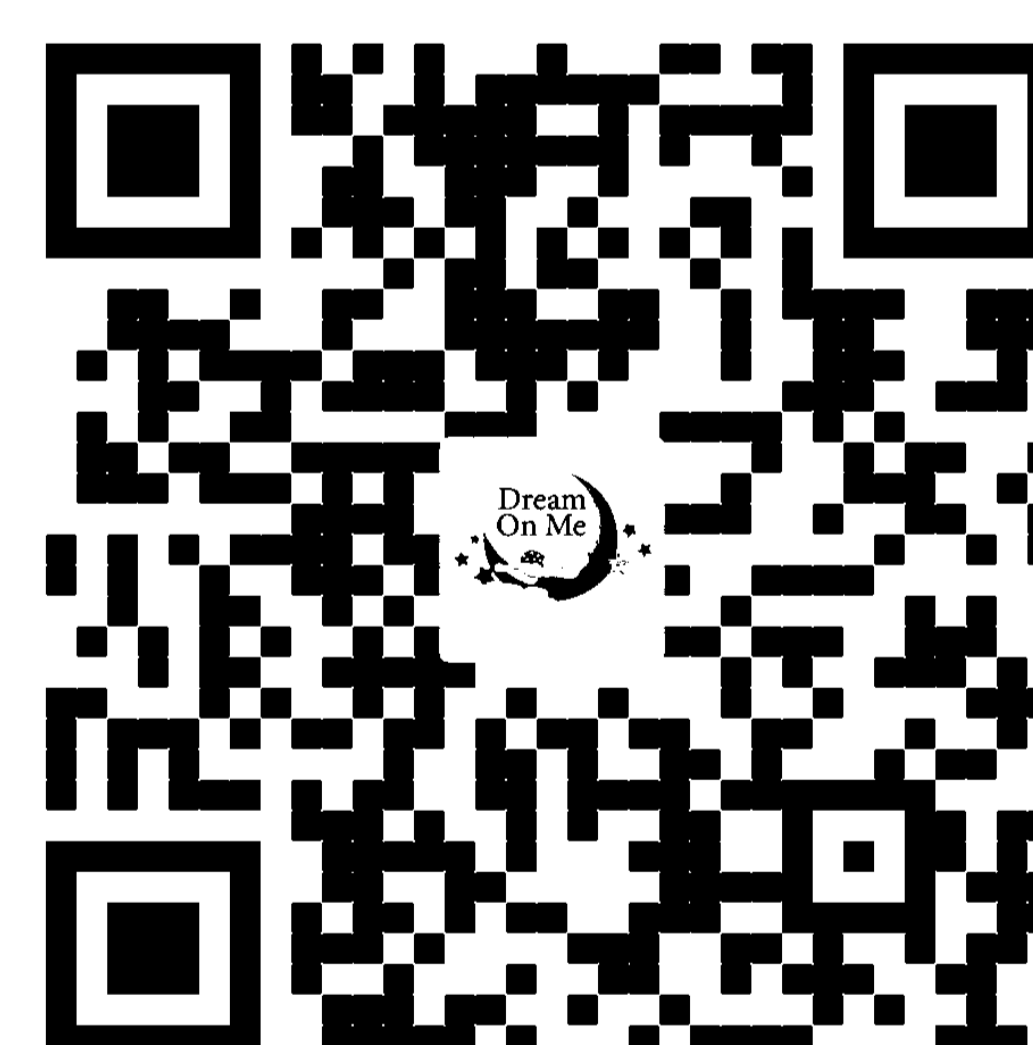
Enter our monthly giveaway!

Simply scan the QRcode to register.



Chat with us!

For any questions or concerns or feedback.



DOM
FAMILY

