



# ASSEMBLY INSTRUCTIONS

## STYLE NO: 601

Dream On Me Inc.  
 1532 S Washington Ave  
 Piscataway Township, NJ 08854  
 Email: info@dreamonme.com  
 www.dreamonme.com

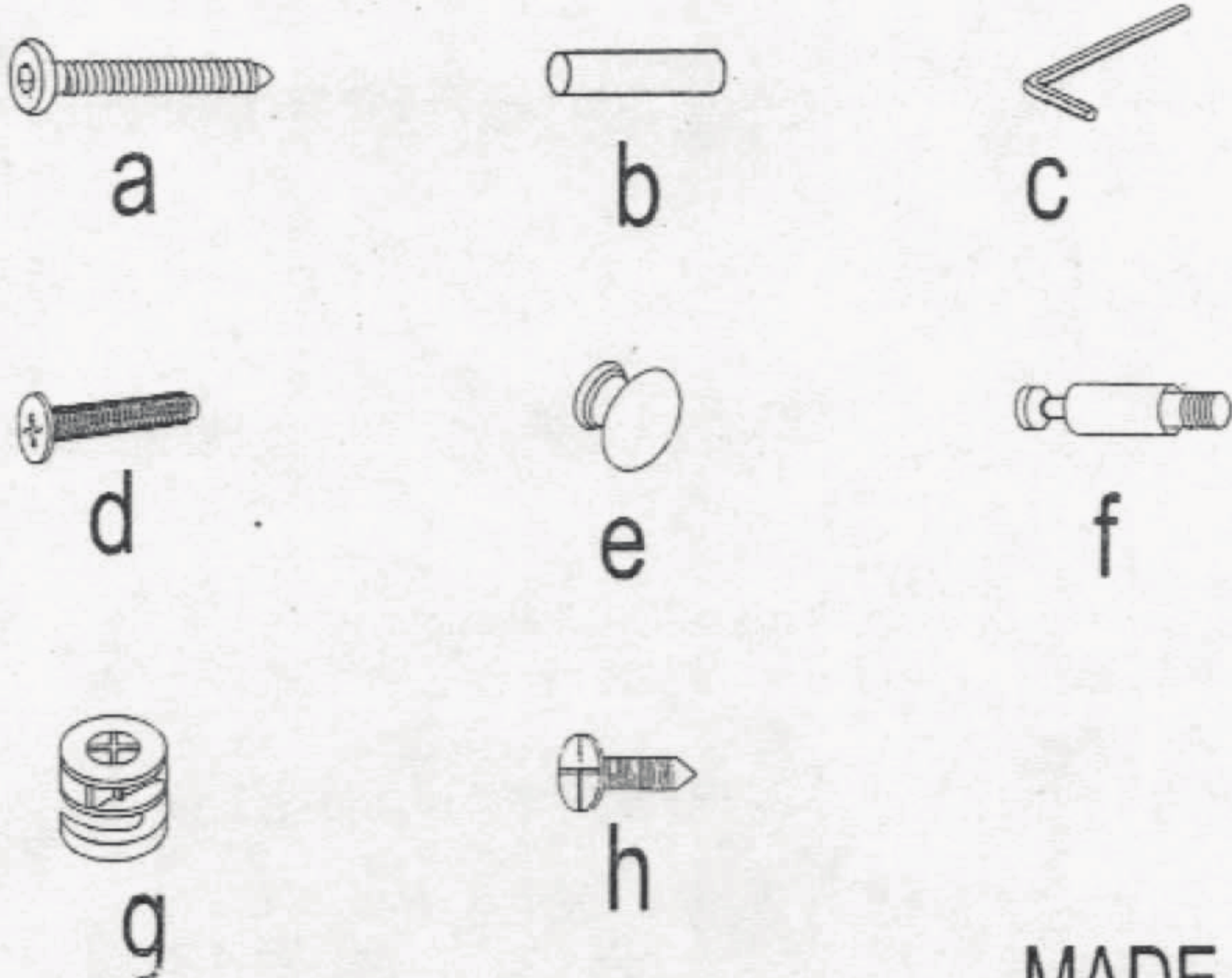
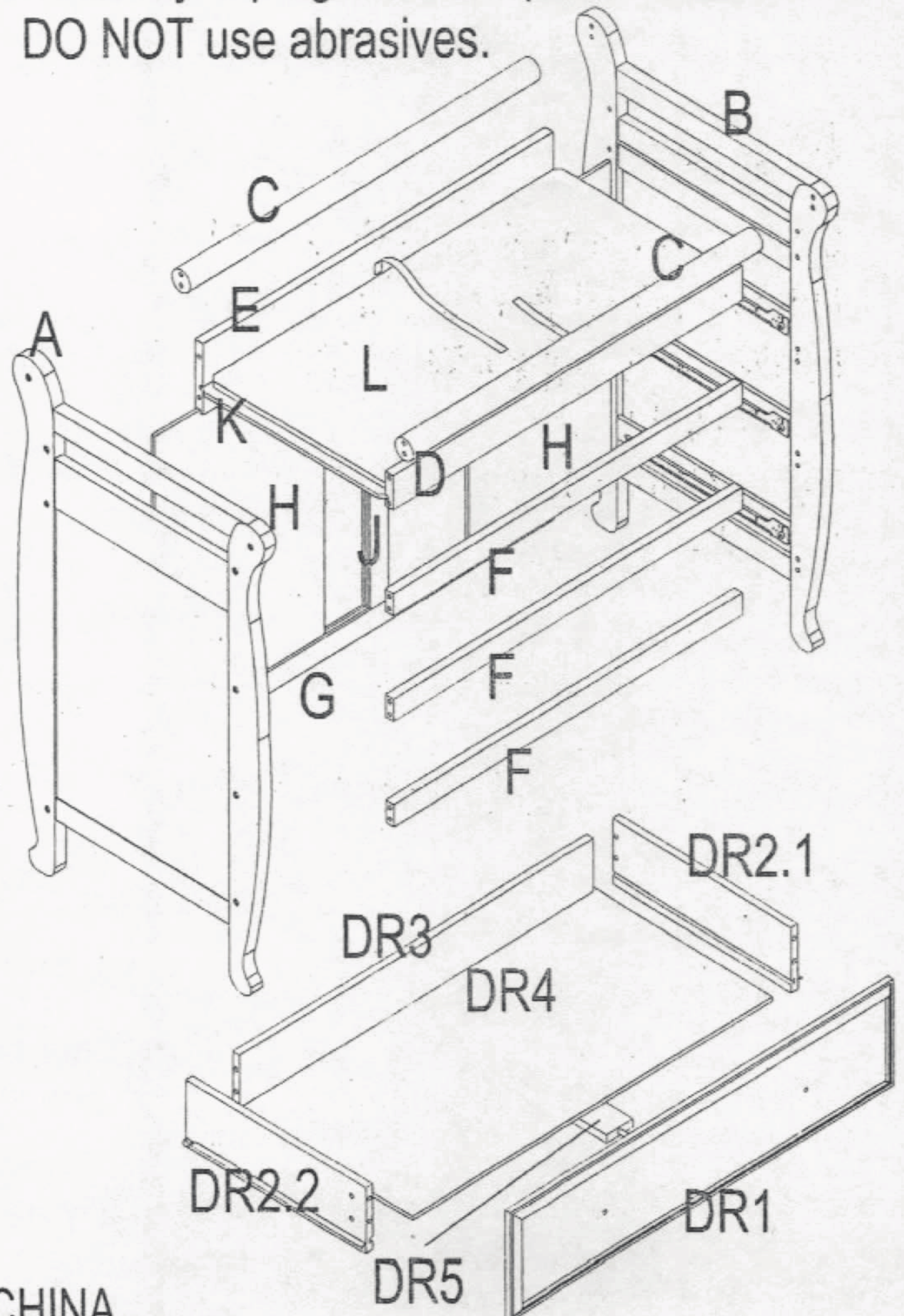


### WARNING

Read all instructions before assembling .  
 KEEP INSTRUCTIONS FOR FUTURE USE.  
 Use only the pad provided by manufacture.  
 DO NOT use the dressing table if it is damaged or broken.

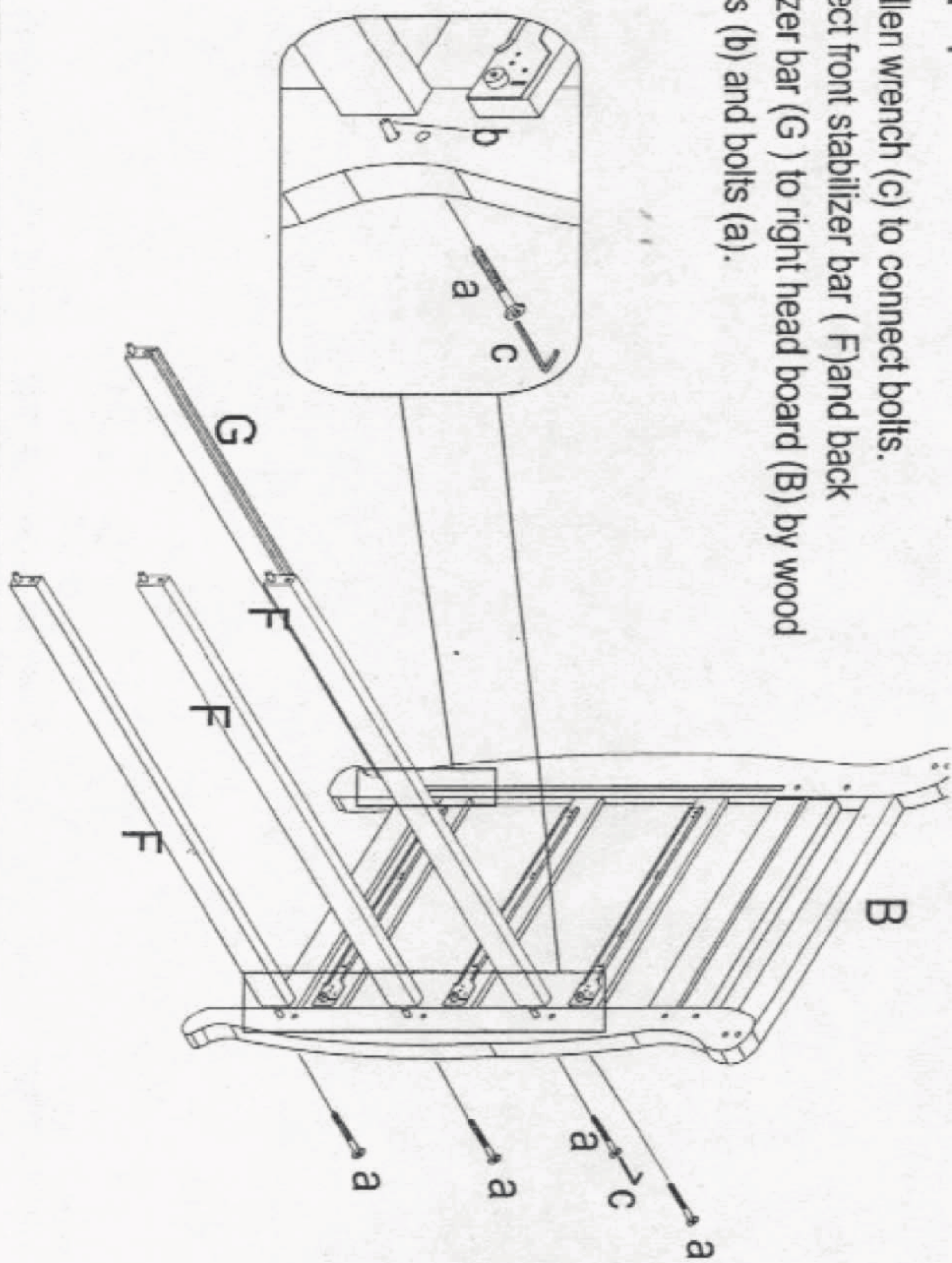
Never leave your child unattended in this dressing table. To insure the safety of your child, the restraint system must be used. Check regularly to see that all bolts are tight. Clean by wiping with damp clean cloth. DO NOT use abrasives.

REF.	PART NAME	QUANTITY
A	Left head board	1
B	Right head board	1
C	Top dowel	2
D	Front rail	1
E	Back rail	1
F	Front stabilizer bar	3
G	Back stabilizer bar	1
H	Back panel	2
J	Central back rail	1
K	Platform	1
L	Pad	1
DR1	Front panel	3
DR2	Side panel	6
DR3	Back panel	3
DR4	Bottom panel	3
DR5	Bottom support panel	3
a	1-1/2 Allen head bolt	18
b	Wood dowel	16
c	2 Allen wrench	1
d	1 Screw	6
e	Knob	6
f	Cam bolts	24
g	Cams	24
h	1-1/2 Self-tapping	3



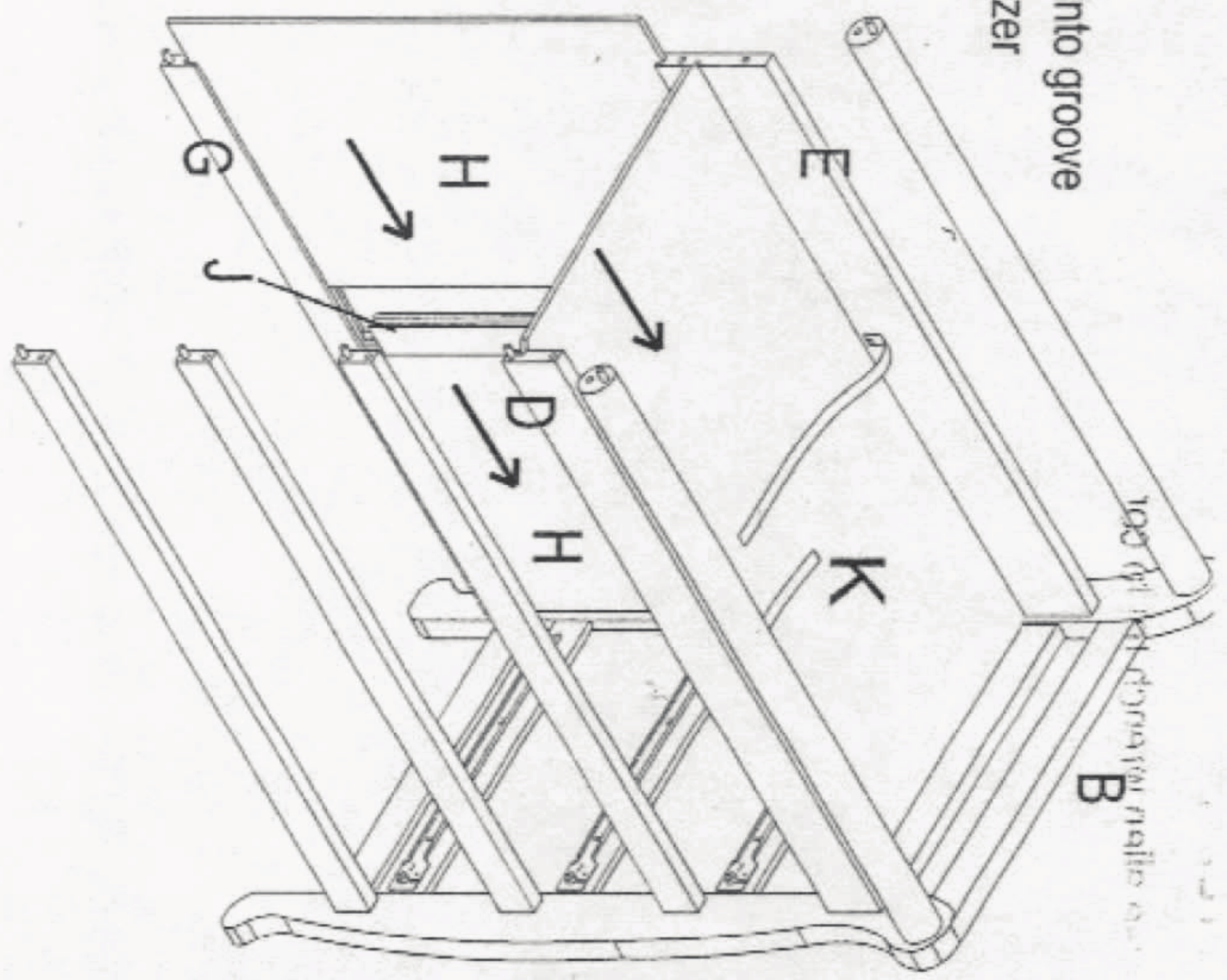
MADE IN CHINA

Use allen wrench (c) to connect bolts.  
 Connect front stabilizer bar (F) and back stabilizer bar (G) to right head board (B) by wood dowels (b) and bolts (a).



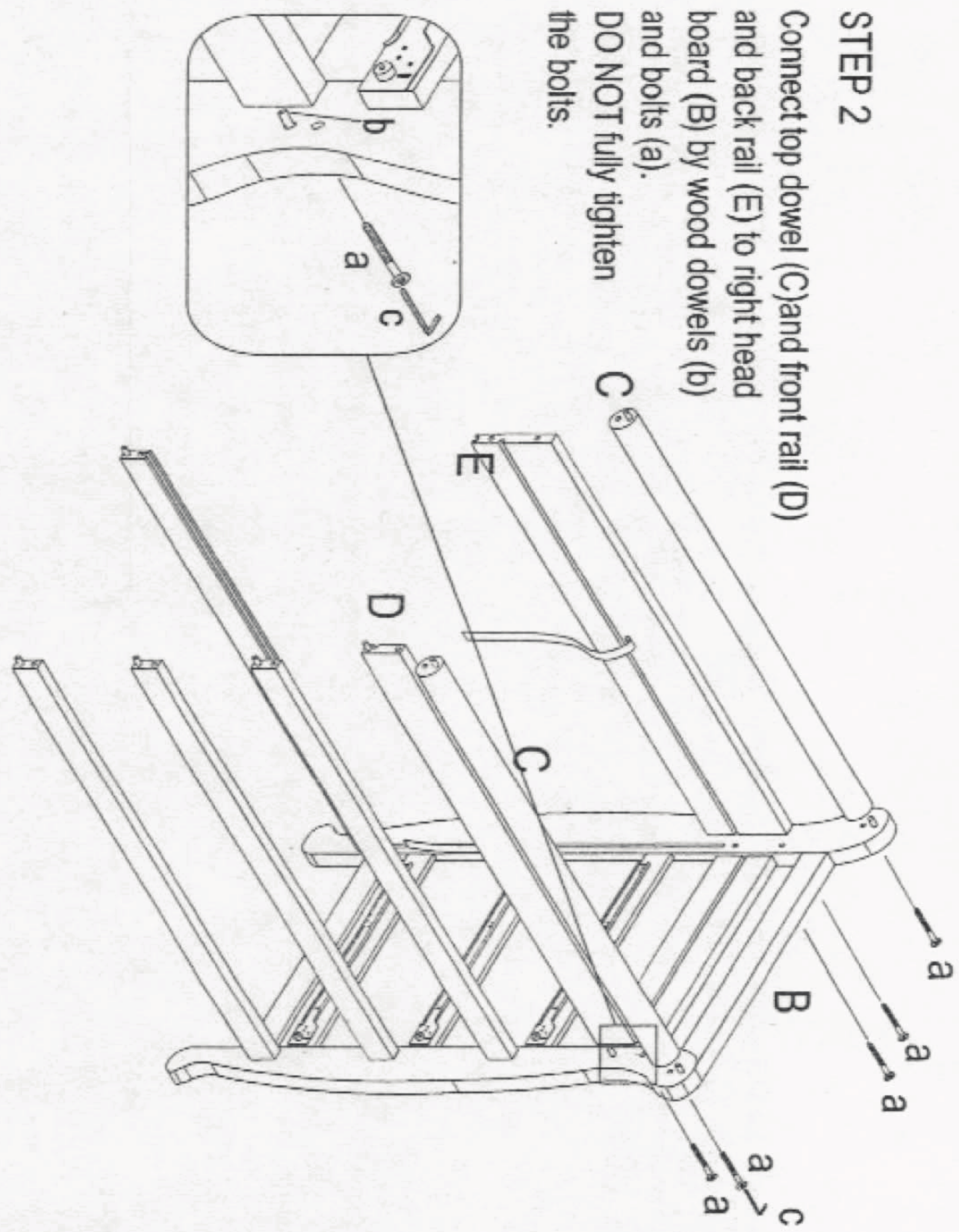
### STEP 3

- 1: Insert one piece of back panel (H) into groove between back rail (E) and back stabilizer bar (G);
- 2: Connect central back rail (J) to back rail (E) and back stabilizer bar (G) by wood dowels (b);
- 3: Insert another back panel (H).
- 4: Insert platform (K) into groove between back rail (E) and front rail (D).



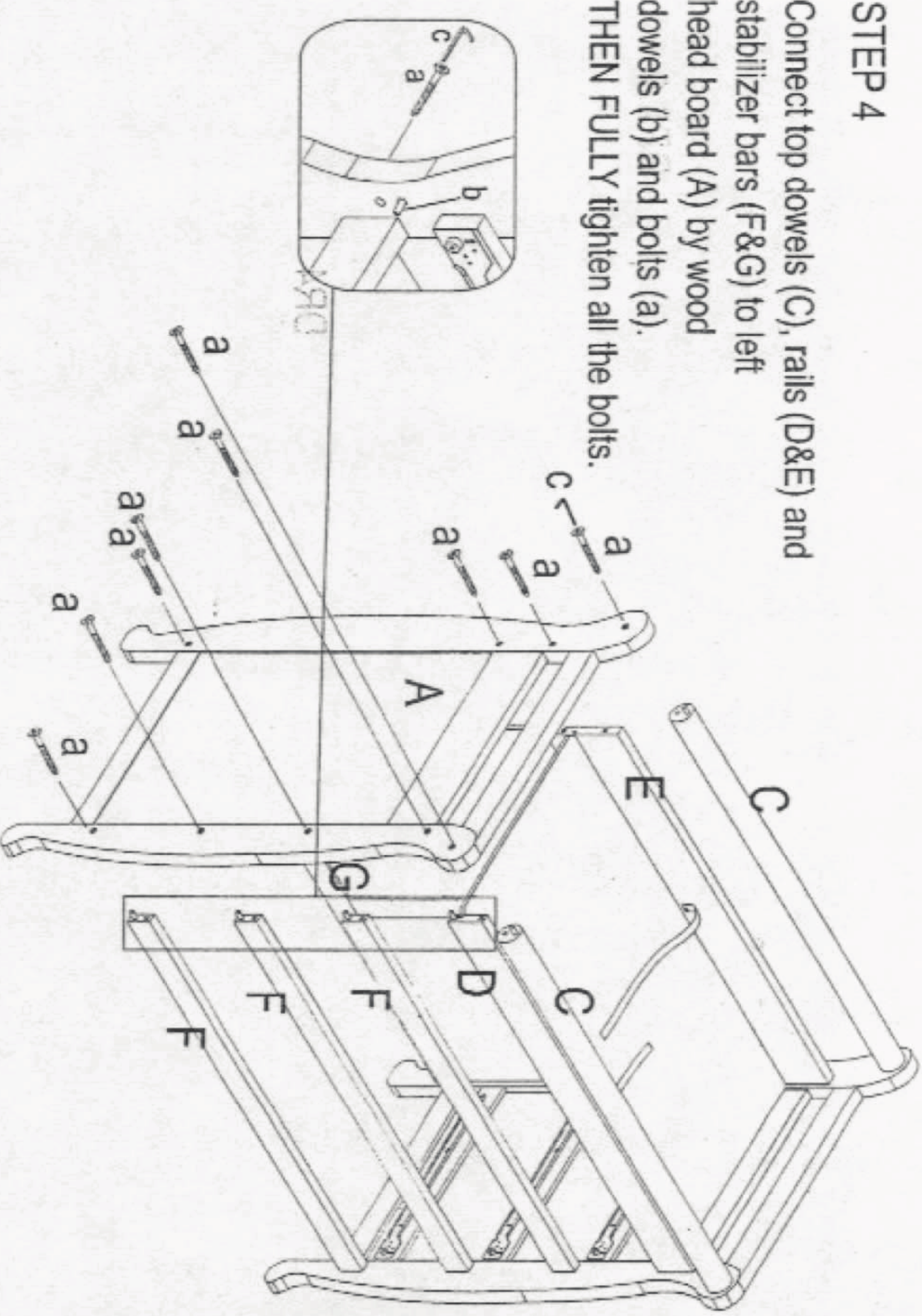
### STEP 2

Connect top dowel (C) and front rail (D) and back rail (E) to right head board (B) by wood dowels (b) and bolts (a).  
**DO NOT** fully tighten the bolts.



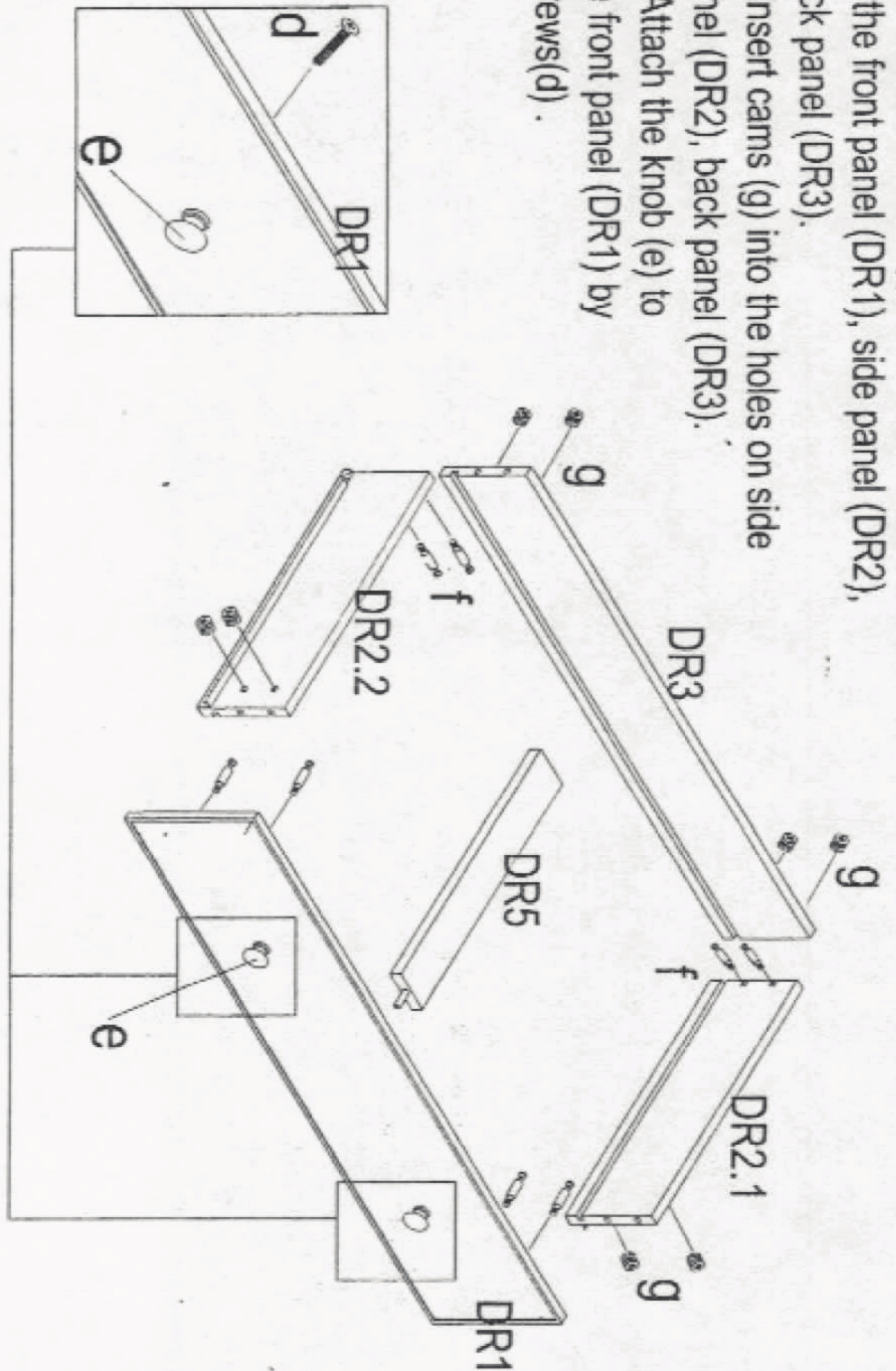
### STEP 4

Connect top dowels (C), rails (D&E) and stabilizer bars (F&G) to left head board (A) by wood dowels (b) and bolts (a).  
**THEN FULLY** tighten all the bolts.



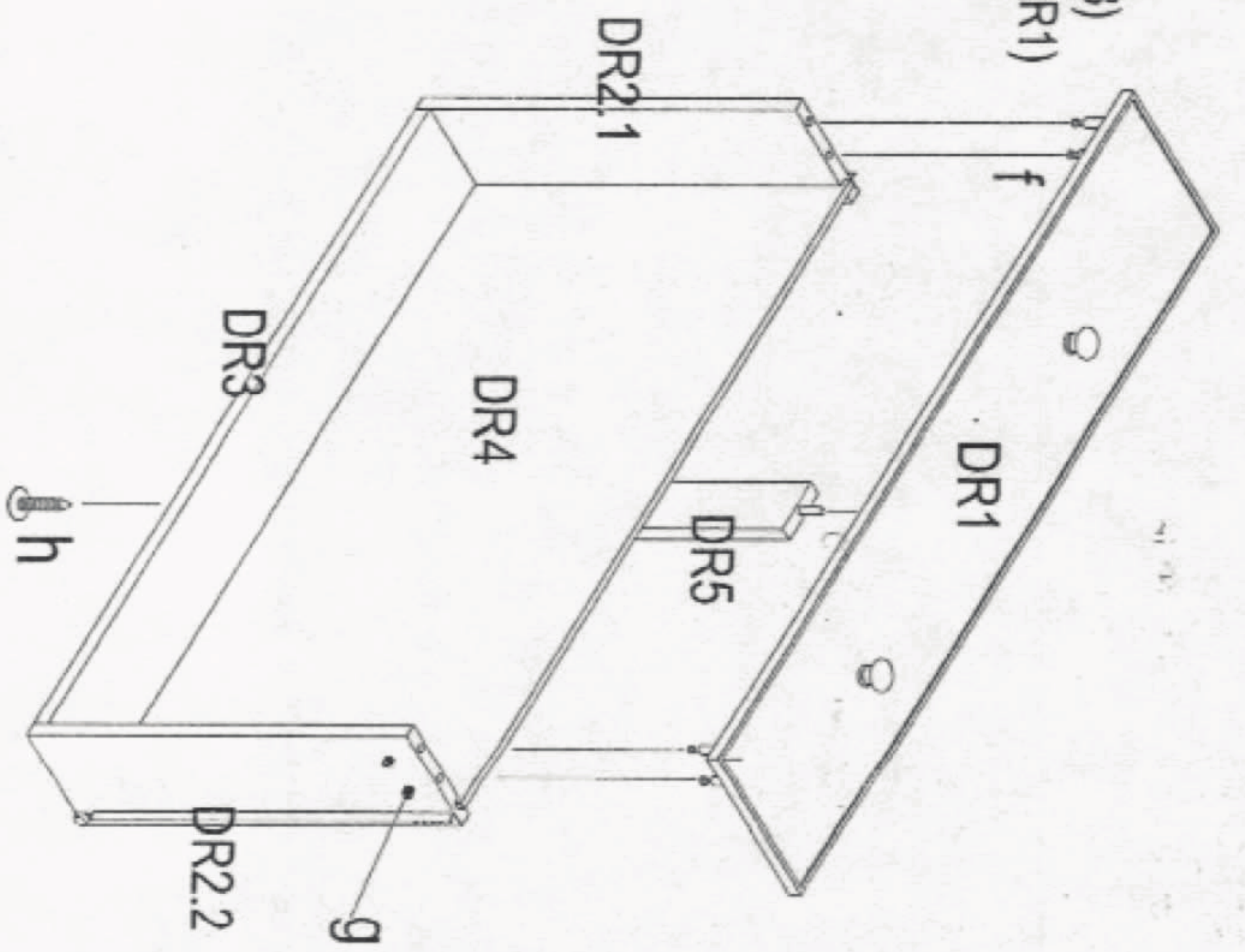
### STEP 5

- 1: Thread cam bolts (f) into the pre-drilled holes on the front panel (DR1), side panel (DR2), back panel (DR3).
- 2: Insert cams (g) into the holes on side panel (DR2), back panel (DR3).
- 3: Attach the knob (e) to the front panel (DR1) by screws(d).



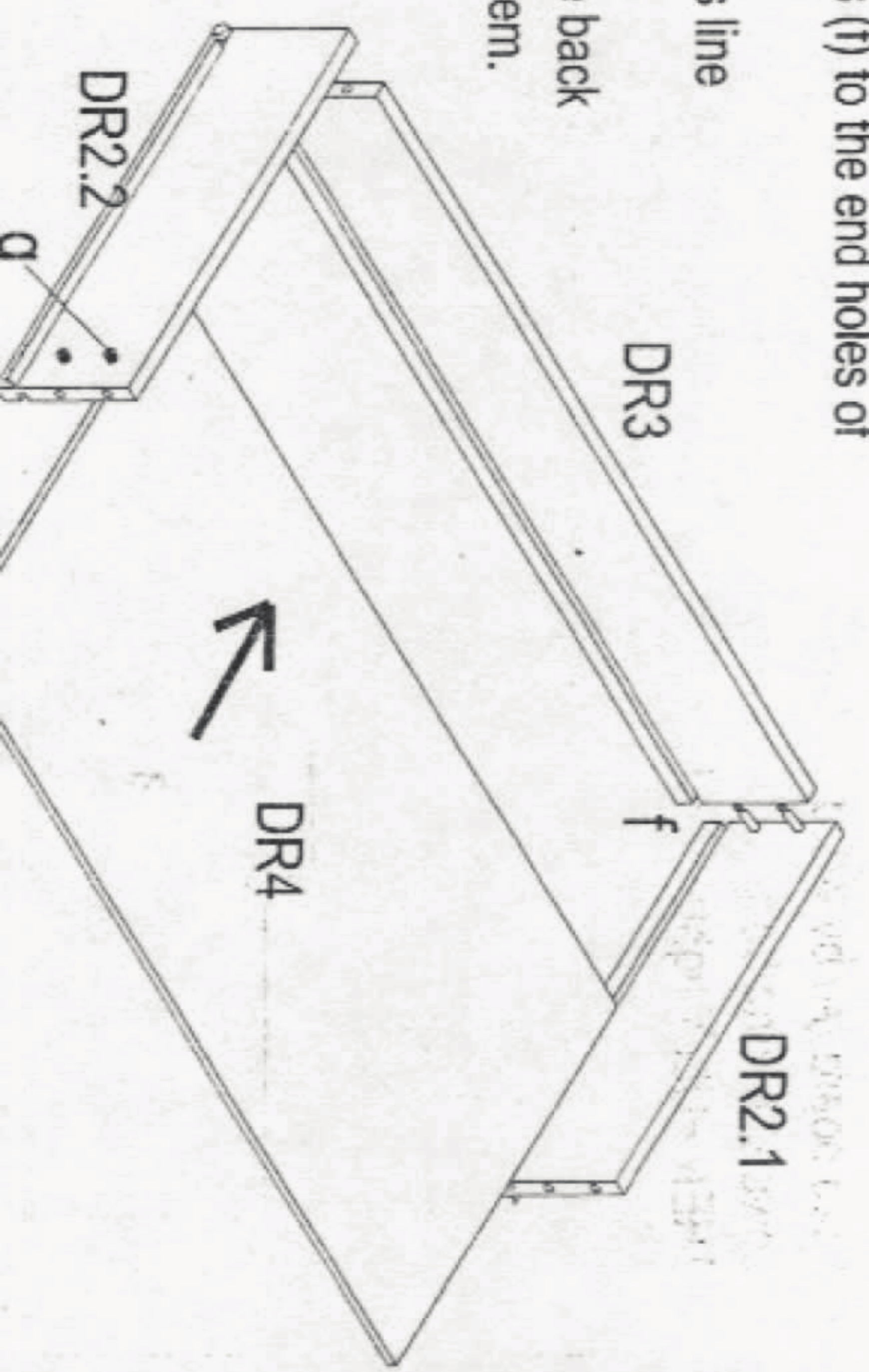
### STEP 7

- 1: Attach the bottom support panel (DR5) to the back panel (DR3) by self-tapping (h), to front panel (DR1) by dowel.
- 2: Attach the front panel (DR1) to side panel (DR2).
- 3: LOCK the cams (g) in the side panel (DR2) by turning them.
- 4: Assemble the rest two drawers follow step 5,6,7.

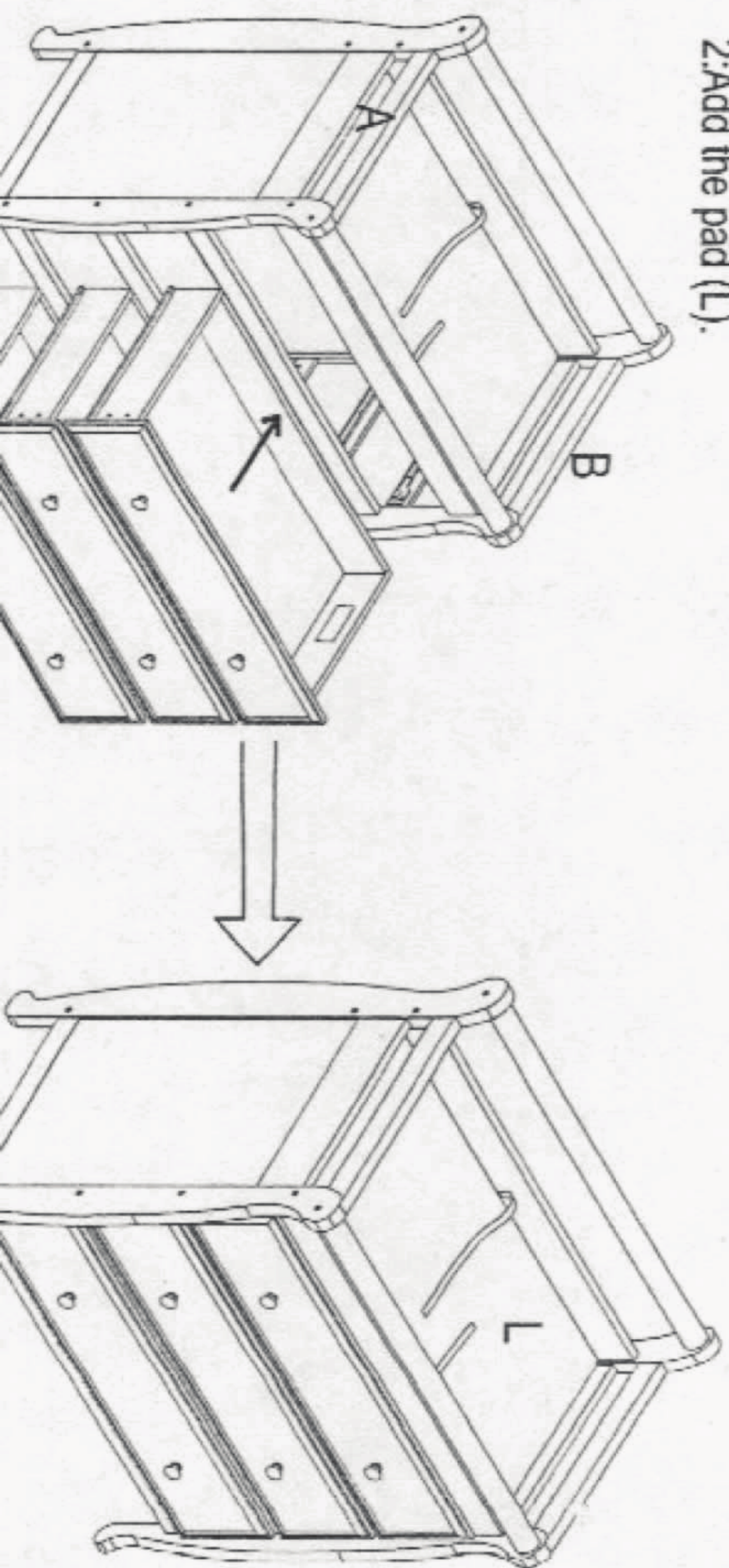


### STEP 6

- 1: Attach side panel (DR2) to the back panel (DR3) by inserting the cam bolts (f) to the end holes of back panel (DR3).  
**MAKE SURE** the grooves line up and face inside.  
**LOCK** the cams (g) in the back panel (DR3) by turning them.



- 2: Slide the bottom panel (DR4) painted side up, into grooves of side panel (DR2).



### STEP 8

- 1: Slide the drawers into rails on head board (A&B).  
**NOTE :PLEASE PUT THE DRAWER WITH CLEAN STICKER AS THE FIRST ONE.**
- 2: Add the pad (L).



1532, S. Washington Avenue  
Piscataway, NJ 08854  
E-mail: [info@dreamonme.com](mailto:info@dreamonme.com)

[www.dreamonme.com](http://www.dreamonme.com)

Follow us on



[@dreamonmeinc](https://www.facebook.com/dreamonmeinc)

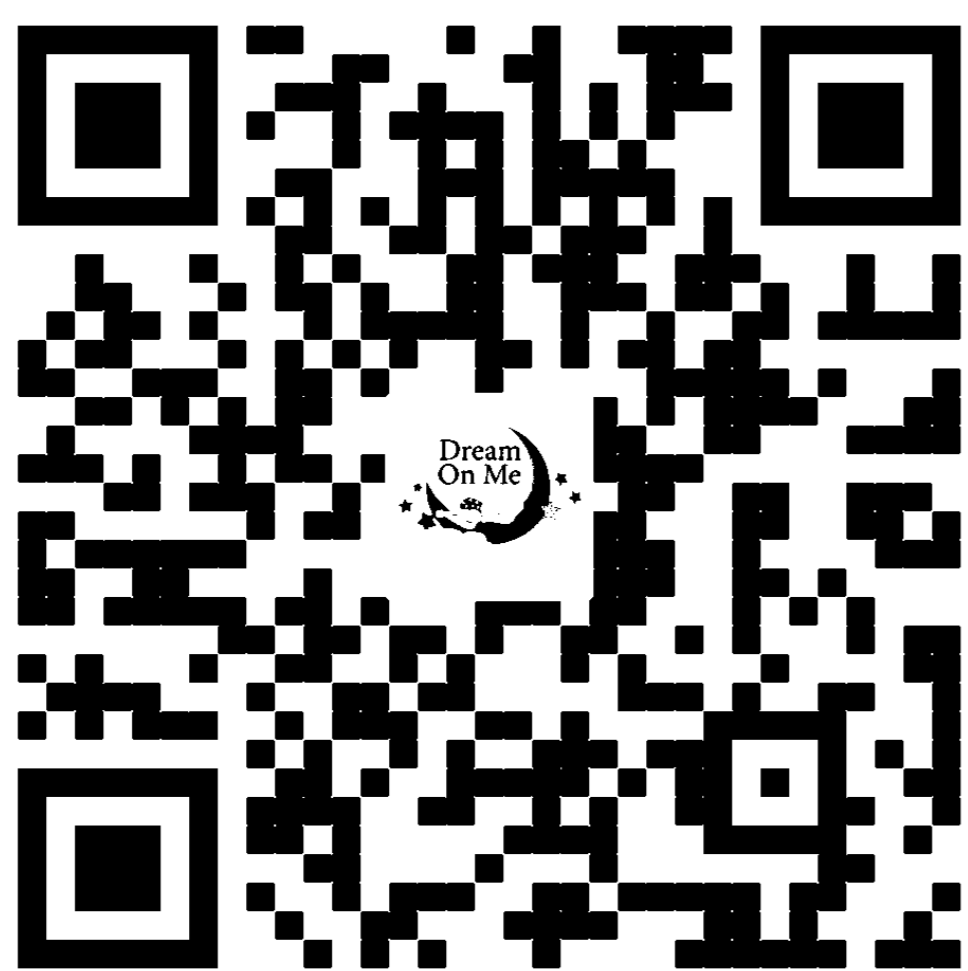


[@dreamonmeinc](https://www.instagram.com/dreamonmeinc)

to get your nursery featured on our social media.

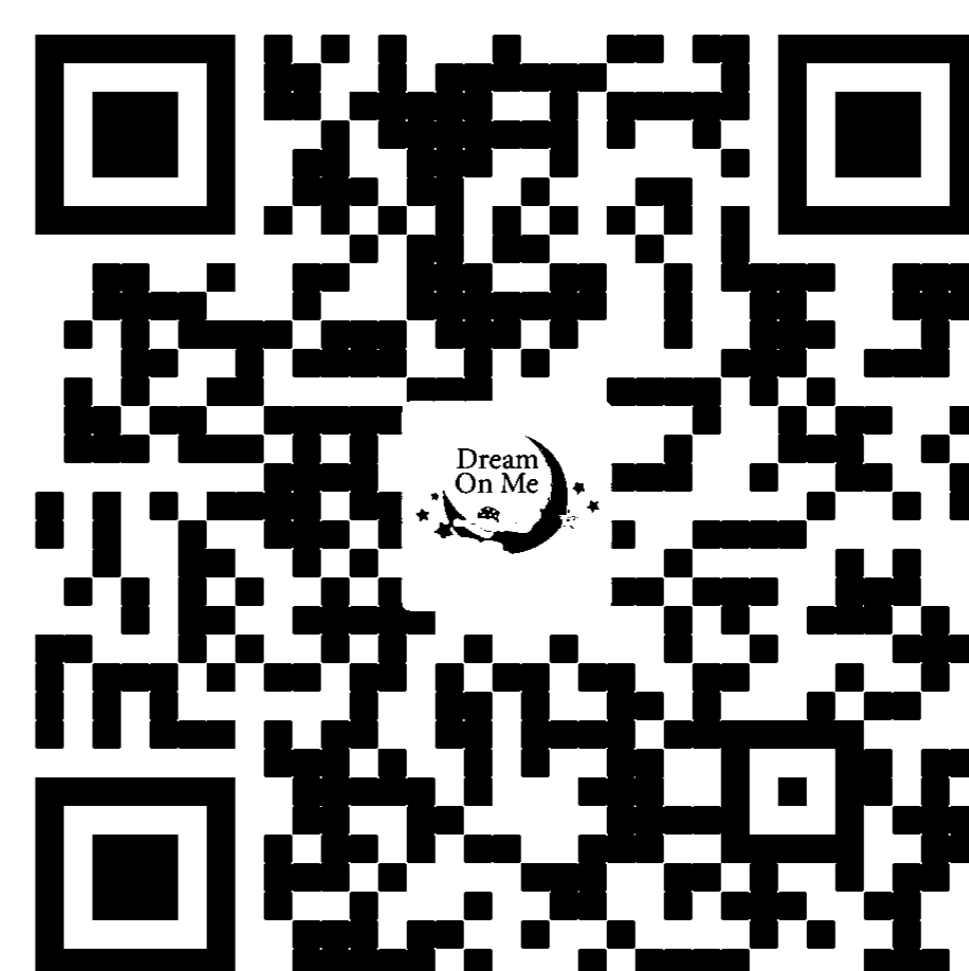
Enter our monthly giveaway!

Simply scan the QRcode to register.



Chat with us!

For any questions or concerns or feedback.



DOM  
FAMILY



slumber baby

sweetpea baby

évolur  
evolving with your baby