



WARNING

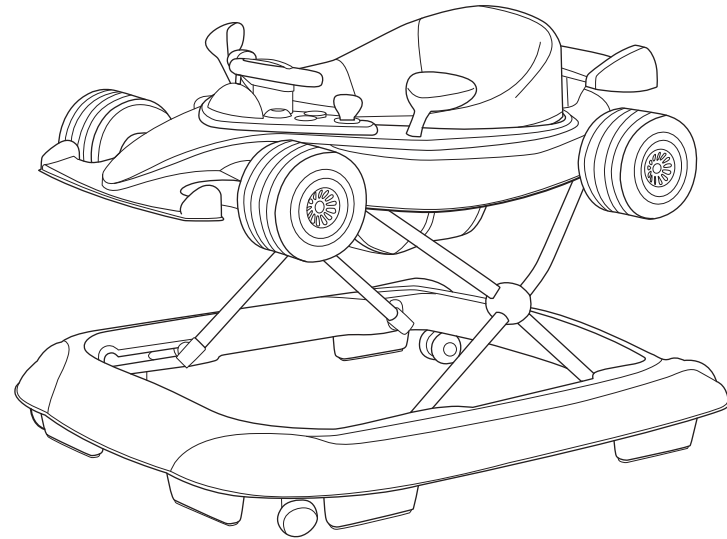
- 1.) Executive standard: ASTM F977-2012.
- 2.) The product is suitable for babies up to 6 months.
- 3.) Do not use until baby can walk unassisted.
- 4.) Never leave child unattended! Always keep child in view while in walker.
- 5.) Never use near stairs, steps or thresholds. Use only on flat surfaces free of objects that could cause the walker to tip over.
- 6.) To reduce chance of the child slipping out of the seat, check that both feet of child touch the floor and never carry the walker with the child in it.
- 7.) To avoid burn injuries, keep the child away from ranges, radiators, space heaters, fireplaces, and etc.
- 8.) Do not use walker near driveways, streets, swimming pools or any other areas that are not safe.
- 9.) Discontinue using the walker should it become damaged or broken.
- 10.) This walker is recommended for a child capable of sitting upright unassisted, 32 inches (81cm) tall or less, and weighing about 26 pounds (12KGS) or less.
- 11.) Use only for limited period of say 30 minutes at a time, this walker is not a training aid and excessive use may impair the baby's natural walking development.
- 12.) Your baby walker frame may be cleaned, using a damp cloth and ordinary domestic detergent. Do not use abrasives or bleach, if you should remove the seat from the walker for any reason, ensure that it is properly refitted and that all hooks and studs are properly engaged.
- 13.) Your walker needs regular checking for safety and performance, Ensure there is no damage, that the height adjustment is properly locked and the castors operate smoothly.
- 14.) Adult assembly is necessary. Keep away from fire.
- 15.) Non-rechargeable batteries are not to be charged.
- 16.) Different types of batteries or new and used batteries are not to be mixed.
- 17.) Only batteries of the same or equivalent type as recommended are to be used.
- 18.) Rechargeable batteries are to be removed from the toy before being charged (if removable).
- 19.) Rechargeable batteries are only to be charged under adult supervision (if removable).
- 20.) Batteries are to be inserted with the correct polarity.
- 21.) Exhausted batteries are to be removed from the toy. The supply terminals are not to be short-circuited.
- 22.) Read all instructions before assembly and use of the walker. Keep instructions for future use. Do not use the walker if it is damaged or broken. Use only on flat surfaces free of objects that could cause the walker to tip over.
- 23.) STAIR HAZARD avoid serious injury or death Block stairs/steps securely before using walker.

BABY WALKER

**READ ALL INSTRUCTIONS BEFORE ASSEMBLY AND USE OF THE WALKER.
KEEP INSTRUCTIONS FOR FUTURE USE.**

User Manual

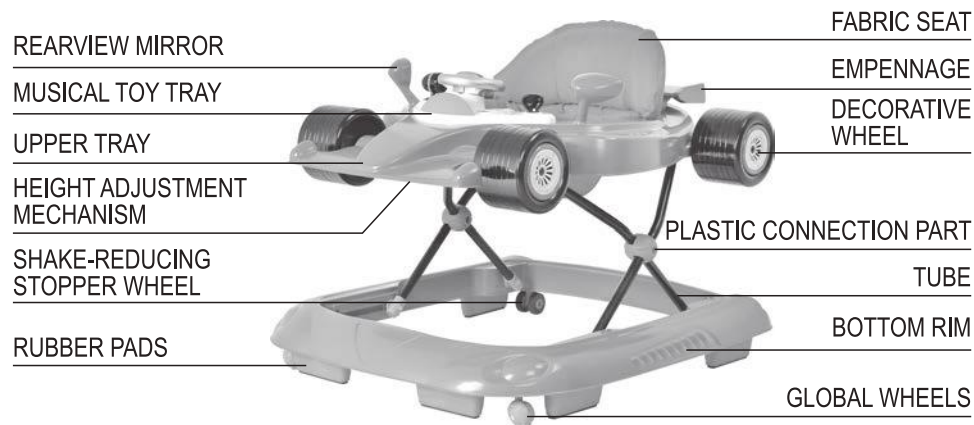
Item No: #509



DRAWINGS IN THIS MANUAL ARE FOR ILLUSTRATION PURPOSES ONLY-ACTUAL PRODUCT MAY VARY, MANUFACTURER RESERVES THE RIGHT TO CHANGE ANY SPECIFICATION OR FEATURES WITHOUT PRIOR NOTICE.

Dream On Me Inc.
1532 S Washington Ave
Piscataway TWP NJ08854
Tel 732-752-7220
Fax 732-752-7221
www.dreamonme.com

1. PARTS IDENTIFICATION

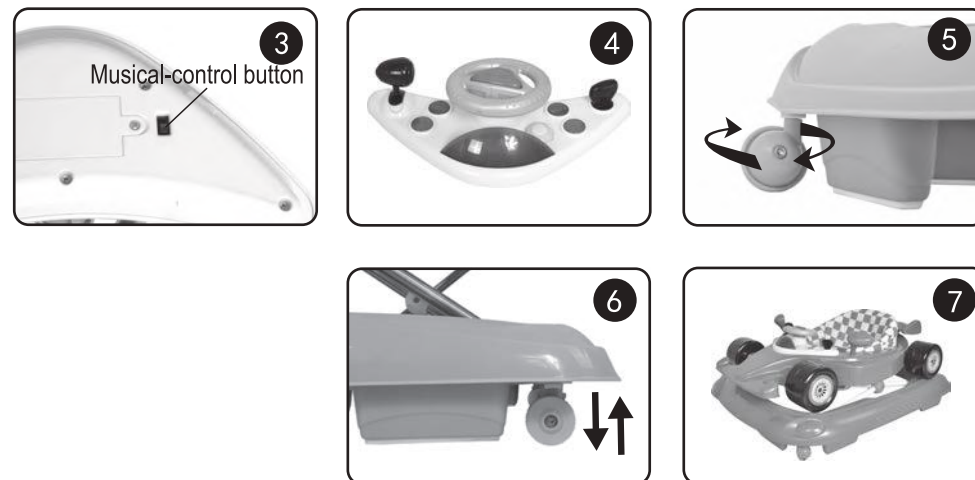


2. CARTON CONTENTS:

Please check if all those parts are included when you opened the carton, if there is any missing parts, please contact your local retailer.

WALKER FRAME X1PC	PLASTIC BACKREST X 1PC	DECORATIVE WHEEL X 4PCS	REARVIEW MIRROR X 2PCS
MUSICAL TOY TRAY X1PC	EMPENNAGE X1PC	SHAKE-REDUCING STOPPER WHEELS X2PCS	RUBBER PADS X6PCS
GLOBAL WHEELS X2PCS	FABRIC SEAT X1PC		

1



- 2) Musical toy tray: switch on the musical-control button under the music toy tray after you assemble on the battery, The music will come out after you fix the batteries by pressing the buttons on the toy tray.(See Fig3/4)
- 3) Global front wheels: Two front wheels can walk globally (See Fig5).
- 4) Safety rubber pads: Safety rubber pads for avoiding children falling down the stairs or tipping over in walker (See Fig6).
- 5) Shake-reducing stopper wheels: Shake-reducing stopper wheels with bouncing system to stop the walker while the center of gravity comes to the rear wheels (See Fig 6).
- 6) Foldable walker: The walker can be folded compactly to save space (See Fig7).

Care and Maintenance:

- 1.) Never force mechanisms or moving parts. If you are not sure what to do, refer to the instructions.
- 2.) Clean plastic and metal parts with a damp cloth or a light detergent. Do not use solvents, ammonia or petrol.
- 3.) Regularly check unit to ensure no parts are loose or broken.

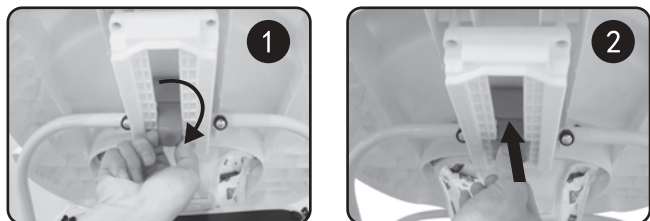
6



3) Assembly of the empennage:

Fix and insert the empennage to the holes on the upper tray, the empennage is firmly assembled when you hear a CLICK. The walker is completely assembled as Fig 23 shown.

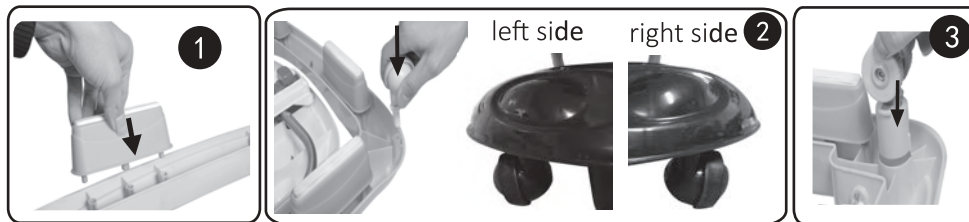
4. FUNCTION:



1)(See Fig1&2)

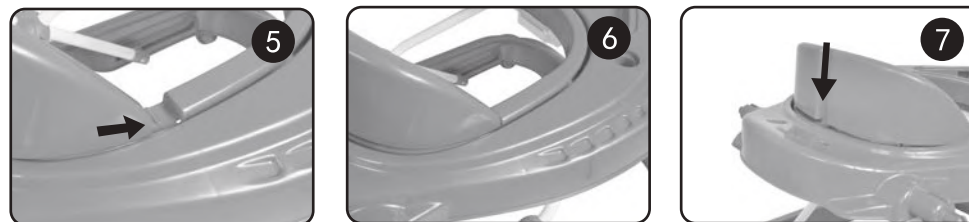
To adjust walker to desired position (3 positions available), place one hand on the top of walker, and turn the red button on the height adjustment mechanism beneath the top tray by 90 degrees with other hand, then push up the button to adjust height position. Release the button, it will return to original position, the mechanism is locked automatically.

3. ASSEMBLY INSTRUCTION



1) ASSEMBLY OF THE PARTS UNDER THE BOTTOM RIM :

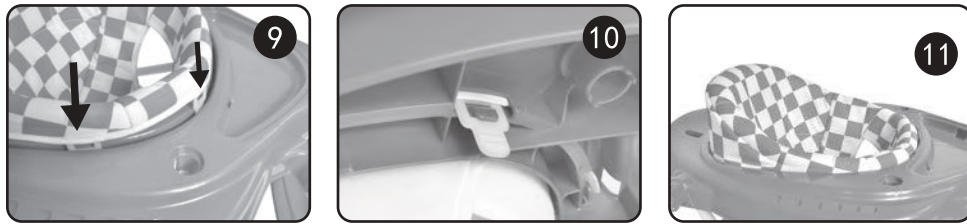
According to Fig 1, insert those 6 rubber pads onto their positions. As the picture shown on Fig 2, insert the front wheels into the holes under the front bottom, as the left and right wheels are different, make sure the left and right wheels are properly installed as per above Fig 2, DO NOT install the left and the right wheel up side down. Finally, insert those two shake-reducing stopper wheels into the holes under the rear bottom according to Fig 3. All of the parts are fixed completely as shown on Fig 4.



2) Assembly of the backrest:

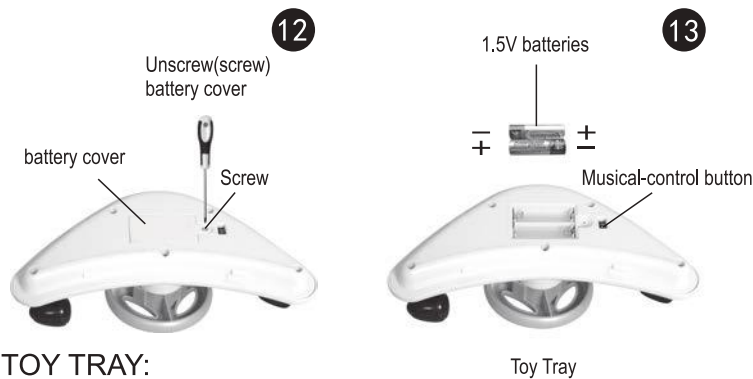
Insert the two pins on both side of the backrest as the arrow shown on Fig 5/6, and press down as the arrow shown on Fig 7; the backrest is firmly assembled when you hear a CLICK (see Fig 8)





Assembly of the fabric seat:

Firstly, insert the pins in the front of seat into the holes on the upper tray referring to Fig 9. Then pull out the buckles at the back of seat through the holes on the upper tray according to Fig 10. The fabric seat is fixed completely as shown on Fig 11.



3) ASSEMBLY OF TOY TRAY:

A) Assembly of battery:

- 1) Use a screwdriver to unscrew the battery cover(See Fig 12).
- 2) Insert two 1.5V batteries inside, ensure correct polarity(see Fig13).
- 3) Screw battery cover back on.



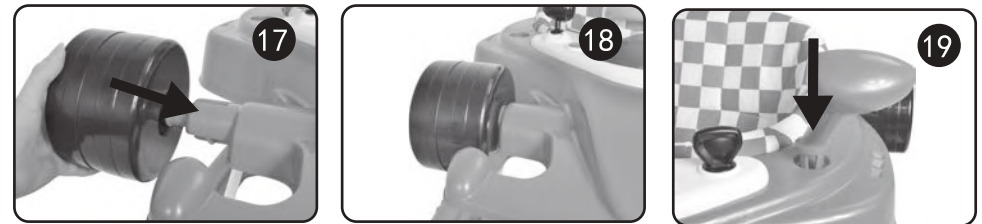
WARNING

- 1.Non-rechargeable batteries are not to be charged.
- 2.Different types of batteries or new and used batteries can not be mixed.
- 3.Only batteries of the same or equivalent type as recommended are to be used.
- 4.Batteries are to be inserted with the correct polarity.
- 5.Exhausted batteries are to be removed from the toy.
- 6.The supply terminals are not to be short-circuited.
- 7.Rechargeable batteries are to be removed from the toy before being charged (if removable).
- 8.Rechargeable batteries are only to be charged under adult supervision (if removable).



B Assembly of toy tray:

- 1)As the arrow shown on Fig 14, fix the toy tray onto the upper tray, and then press down the front toy tray to fix it, the toy tray is fixed firmly when you hear a CLICK (see Fig 15).
- 2)Press down the two snap-fit components according to the arrow shown on Fig 16, the toy tray can be detached easily.



1)Assembly of the decorative wheels:

Fix the four decorative wheels on to the axis as the arrow shown. The decorative wheels are firmly assembled when you hear a CLICK (see Fig 17/18)

2)Assembly of rearview mirror:

Fix the rearview mirror on the appropriate locations. It is firmly assembled when you hear a CLICK (see Fig 19/20)



WARNING:

- **DO NOT** lift or carry by walker tray, toy tray, or toys.
- To avoid serious injury, **NEVER** carry walker with child in seat.