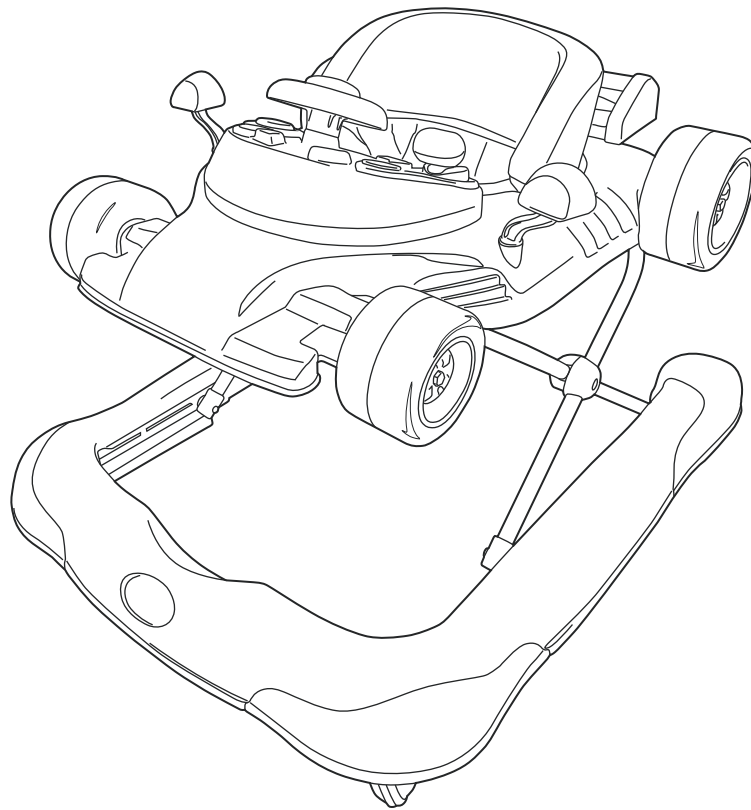
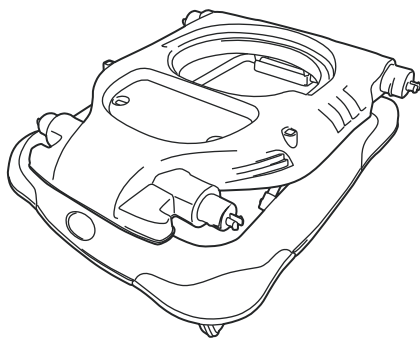


USER MANUAL FOR 2 IN 1 BABY WALKER

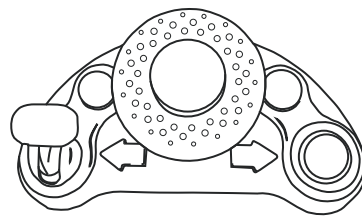
ITEM NO.: #508



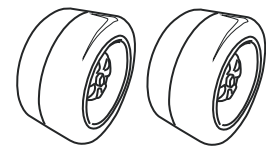
Parts list



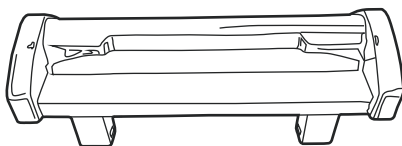
Frame x1



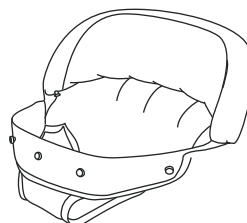
Toy tray x1



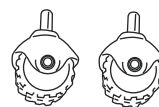
Front car wheelsx2



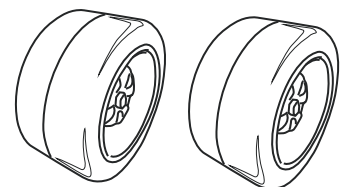
Pushing bar x1



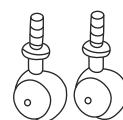
Seat pad x1



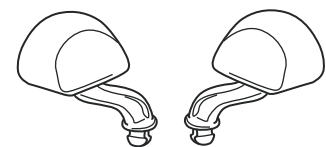
Back side castors x2



Back car wheelsx2



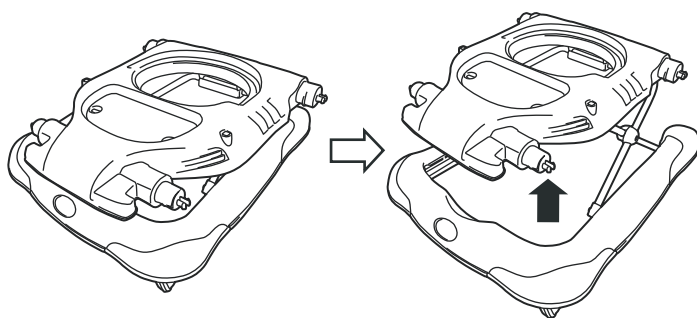
Front side castors x2



Rearview x2

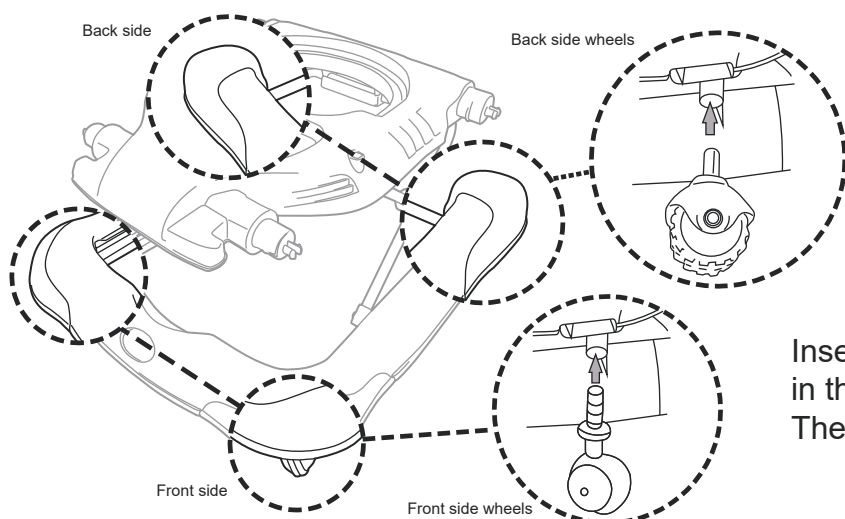
Assembly instructions

To open the walker



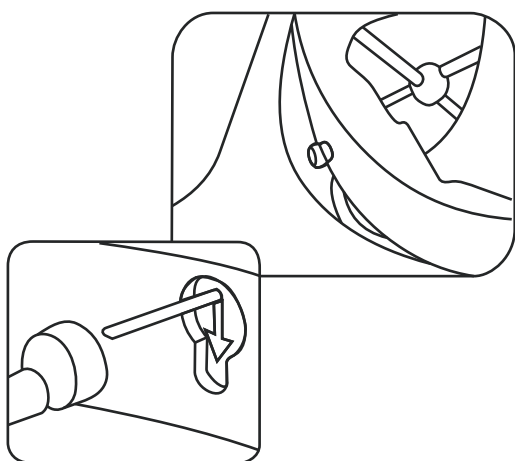
Open the walker by raising the tray to the highest position. Gently push down on the top section to ensure it has locked into position.

Assembly of the castors



Insert the wheels into the moulded socket in the direction indicated by the arrow. Then push firmly until clicks into place.

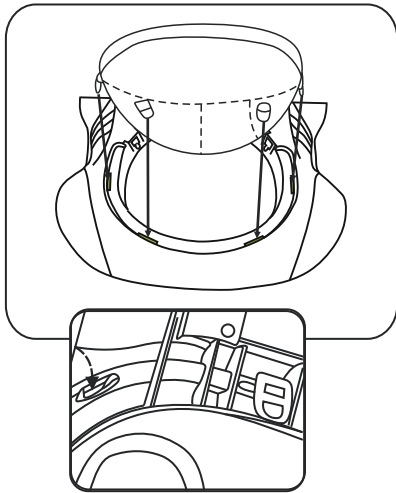
Fitting the seat pad



Front of the seat, repeat the procedure of locking the plastic pins into the keyholes.

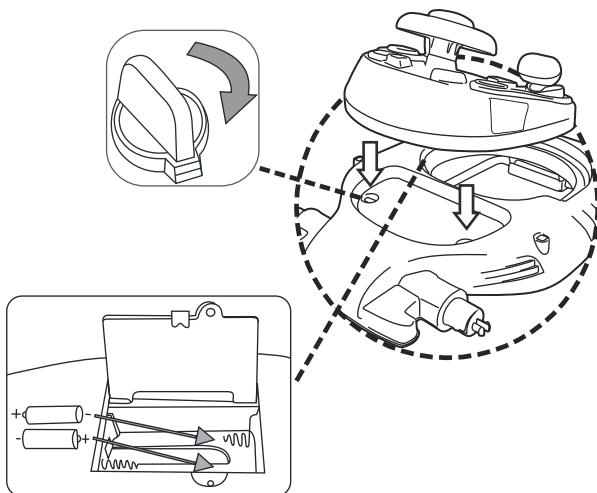
Warning! Always ensure the seat unit is correctly fitted prior to use.

Fitting the seat pad



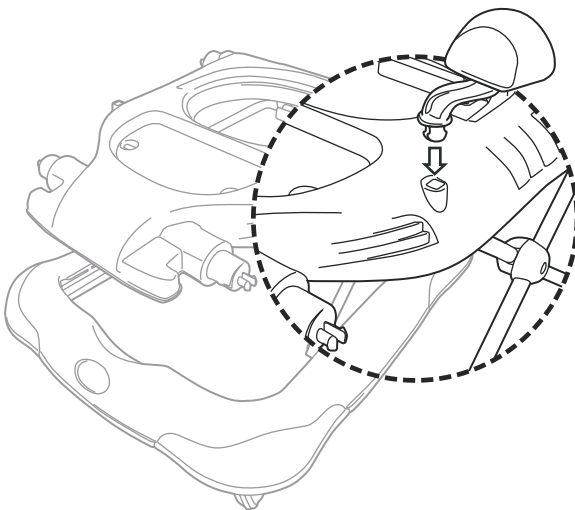
Thread the 4 seat clips through the corresponding holes in the top tray. Once the clips have been thread through the holes turn each of them 90 degrees on the underside of the tray. Please make sure each clip is fully secured.

Attaching the toy tray



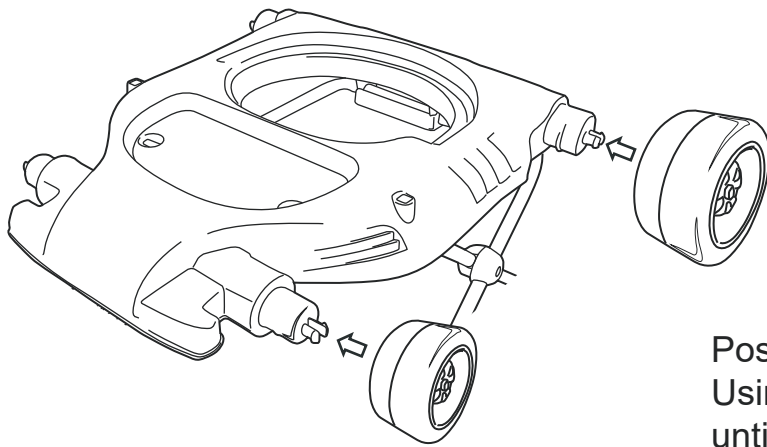
2xAA size Alkaline batteries are needed for the toy (batteries not included). Unfold the walker and place the toy tray into position. Push the locking keys located on the underside of the walker tray up and turn around to secure the toy tray to the walker. The toy should be assembled by adult.

Attaching the rearview



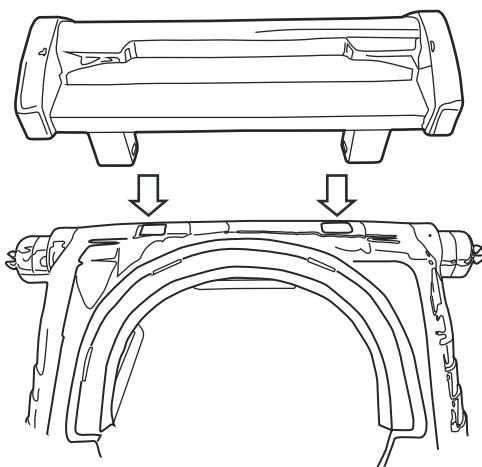
Position the rearview into the top section. Using moderate force push downwards until it locks in the top section.

Attaching the car wheels



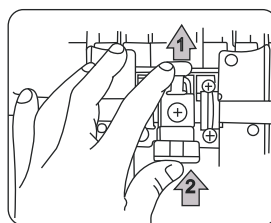
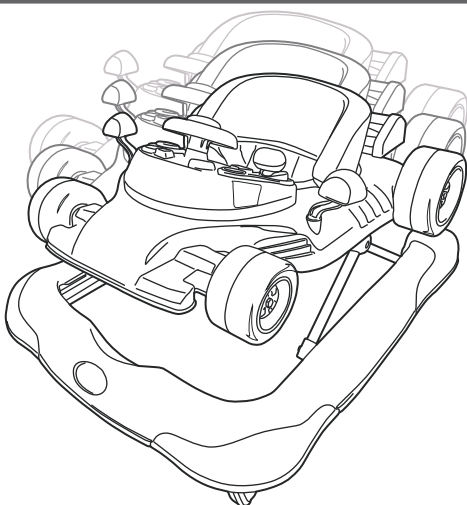
Position the wheels into the top section. Using moderate force push downwards until it locks in the top section.

Attaching the pushing bar



Position the pushing bar into the top section. Using moderate force push downwards until it locks in the top section.

To fold the frame



The locking mechanism is located on the underside of the top tray. Push the red safety catch up wards, then the white release catch in wards. The tray can now be lowered into one of the three height positions or fully folded for storage.

WARNING:

Before assembling and using this product, read and understand the instructions. Incorrect assembly may make the product unsafe. Do not use the product if any part is broken, torn or missing. Keep these instructions in a safe place for future reference.

- NEVER LEAVE YOUR CHILD UNATTENDED. ALWAYS KEEP CHILD IN VIEW WHILE IN WALKER.
- USE ONLY ON FLAT SURFACES FREE OF OBJECTS THAT COULD CAUSE THE WALKER TO TIP OVER
- TO AVOID BURNS, KEEP THE CHILD AWAY FROM HOT LIQUID, RANGES , RADIATORS SPACE HEATERS AND FIREPLACES ETC ...
- AVOID SERIOUS INJURY OR DEATH . BLOCK STAIRS/STEPS SECURELY BEFORE USING WALKER.
- Clean (friction components) regularly to maintain stopping performance.
- Remove packaging from walker vicinity after it was assembly.
- Always use the safely locks once the walker height is correctly adjusted .
- Check that all safely locks are engaged before placing a child in the walker.
- This walker should not be used by a child who can walk unaided.
- This walker should not be used by a child who can not sit unaided.
- This walker should not be used by a child weighing less than 7kgs and 65cm in height
- A child should discontinue using this walker when weighing more than 11 kgs and 82 cm in height
- The walker is not suitable for babies under 6 months of age.
- The walker-behind function is intended to be used for a child who can walk unaided (approximately from 9 months, suitable up to 24 months).
- Electrical cords , heaters, fireplaces and other hot objects , or any other objects or substances that may be dangerous, should be guarded or put out of reach of a child using the walker .
- The walker should not be used whether indoors or outdoors on surfaces that have any obstructions that could cause the walker to tip over .
- The walker should not be carried with a child in it.
- Adjust the height of the walker so that both feet of a child in the walker should be able to touch the ground .
- Care must be taken while folding and unfolding the walker to prevent fingers being caught
- Keep medication, strings, elastlcs and small toys (other then the ones attached to the toy bar) out of reach from any position of the walker.
- Always attach the toys tightly to the walker according to the instructions. Check frequently.
- The soft toys are not intended to be "mouthed" by the baby and should be positioned clearly out of reach of the baby's face and mouth. Adjust the toys to avoid being too close to the baby .
- The toys are suitable for all ages.

BATTERY INFORMATION:

- Do not mix new and used batteries.
- Do not mix different types of batteries.
- Only use replacement batteries of the type recommended.
- Recommended batteries, 2X 1.5V, 'AA' / SUM3 / LR6.
- Always remove exhausted batteries from the product.
- Do not attempt to charge non rechargeable batteries.
- Remove rechargeable batteries before charging.
- Charge under adult supervision.
- The batteries must be inserted with the correct polarity.
- Do not short-circuit the supply terminals.
- Remove the batteries when the product is not being played with for extended periods of time.
- For optimum performance parents recommend using high power , alkaline batteries, for example Energizer or Duracell.

BATTERY DISPOSAL:

Dispose of exhausted batteries at an official waste disposal site.

Do not burn or place in household waste.

PRODUCT CARE:

Wipe all plastic/metal parts clean with a damp cloth using mild soap, dry thoroughly. Light soiling of the seat pad can be removed with a damp cloth and a mild soap.

Do not use strong detergents or abrasive materials. Do not dry clean. Do not tumble dry. Line dry the seat pad.

To maintain stopping performance, clean friction strips regularly with damp cloth.

Care and maintenance

- To prolong the life of your nursery product keep it clean and do not leave it in the direct sun light for extended periods of time.
- Removable fabric covers and trims must only be cleaned using warm water with a household soap or mild detergent. Allow it to dry fully, preferably away from direct sunlight.
Clean grip pads regularly, using warm water with household soap or mild detergent to maintain stopping performance .
- Do not fold or store the product if it is damp or wet to avoid mold or mildew occurring. Always store the product in a well ventilated area.
- Check parts regularly for tightness of screws, nuts and other fasteners, tighten if required. To maintain the safety of your nursery product, seek prompt repairs for bent, torn, worn or broken parts. Use only parts and accessories approved by Dream On Me.
- If the wheels squeak use a silicon based spray ensuring it penetrates the wheel and axle assembly.

**Dream On Me Inc.
1532 S Washington Ave
Piscataway TWP NJ 08854**



1532, S. Washington Avenue
Piscataway, NJ 08854
E-mail: info@dreamonme.com

www.dreamonme.com

Follow us on



[@dreamonmeinc](https://www.facebook.com/dreamonmeinc)



[@dreamonmeinc](https://www.instagram.com/dreamonmeinc)

to get your nursery featured on our social media.

Enter our monthly giveaway!

Simply scan the QRcode to register.



Chat with us!

For any questions or concerns or feedback.



DOM
FAMILY

