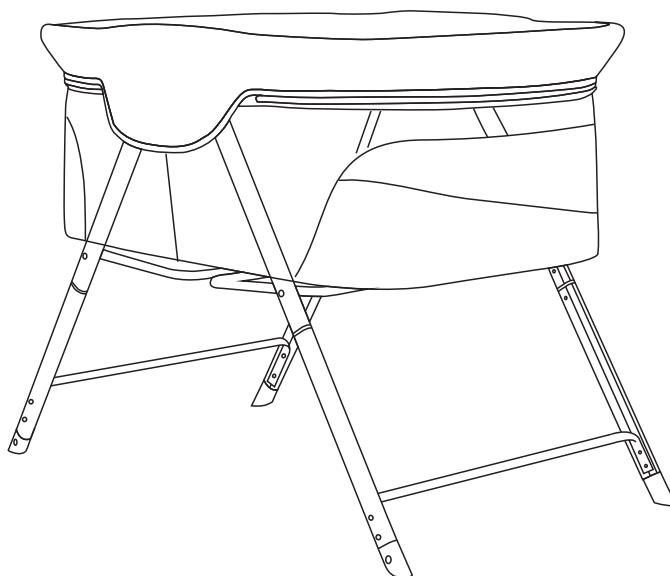


做成黑白的，**Warning** 字体高度大于**5mm**，
其余字体高度大于**2.5mm**

Manual for baby bassinet



ITEM NO.: #4468

Part List



Leg Frame
2pcs



Bed



Carry Bag

Step 1

Push each leg frame into the frame housing until they lock into place, you will hear a click sound.



Step 2

Hold the handrails and pull them upwards together until you hear a click sound.



Folding Bed

Please move the mattress away from bassinet, then hold the one belt in the middle of the bed, pull it upwards, the bed will be closed.

Notice:

Far away from heaters, electric heaters, stoves and fire!



Notice:

Follow all instructions carefully, incorrect use will cause damage to bassinet.

Child should never be left unattended.

Overloading, incorrect folding and the use of accessories, may cause damage or break this bed.

⚠️ WARNING:

-Failure to follow these warnings and instructions could result in serious injury or death.

FALL HAZARD-To help prevent falls, do not use this product when the infant begins to push up on hands and knees or has reached 25lbs weight or 3 months old, whichever comes first.

⚠️ WARNING:

SUFFOCATION HAZARD!

Infants have suffocated:

- In gaps between an extra padding and side of the bassinet / cradle, and
- On soft bedding.

Use **ONLY** the pad provided by manufacturer. **NEVER** add a mattress, pillow, comforter, or another mattress for padding.

If a sheet is used with the pad, use only the one provided by the bassinet manufacturer to fit the dimension of the bassinet mattress.

⚠️ WARNING:

To reduce the risk of SIDS, pediatricians recommend healthy infants be placed on their backs to sleep, unless otherwise advised by your physician.

⚠️ WARNING:

Strings can cause strangulation! Do not place items with a string around a child's neck, such as hood strings or pacifier cords. Do not suspend strings over a bassinet or cradle or attach strings to toys.

Maintenance & cleaning:

Please check and maintain the bassinet regularly to make sure your baby away from accident.

The adult must check the bed and make sure for safe at every time.

Please add the lubricating oil to the bearings regularly in order to prolong the product lifetime.

Please use the soft and dry cloth or sponge to clean the bed, do not use the alkaline or acidic water to wash the bassinet to avoid the water corrode the iron pipe or hardware.

Do not use or keep the bed in a wet, cold or high temperature environment for a long time.

Please use the brush or other clean tools to clean the splotch on the cushion.

Dream On Me Inc.

1532 S Washington Ave

Piscataway TWP NJ 08854

TEL: 732-752-7220 FAX: 732-752-7221