

Twin Stroller



DOM
— FAMILY —

Please read this owner's manual carefully and keep it in a safe place.

Owner's
Manual

Dream On Me Model NO : #446

CLEANING & MAINTENANCE

AVOID SERIOUS INJURY, PLEASE DO A ROUTINE MAINTAINANCE INSPECTION.

1. Never force any folding or adjustable parts.
2. Ensure that all the devices are correctly engaged before use.
3. To clean plastic or cloth surface, use lukewarm water with mild detergent only. To clean metal surface, wipe clean with soft, damp cloth. Do not use abrasives or solvents.
4. Do not keep the stroller in the damp, cold or hot place.
5. Check the folding lock when not in use.
6. Do not leave your stroller outside unprotected.
7. Regularly check unit to ensure no parts are loose or broken.

Owner's Manual

Thank you for choosing Dream On Me and congratulations on joining The DOM Family, a family that has been transforming lives for 30 years! We appreciate your feedback and wish you the very best in the coming years with your new addition. If you have any questions or concerns please don't hesitate to reach out and a trusted DOM representative will assist you. Thank you again for entrusting us to supply you with the safest, functional and affordable baby products and accessories. Feel free to follow us on Facebook and Instagram for further opportunities and offers.

Part List

Please check to make sure that all of the following parts listed are included in the box when opened. If there are any missing parts, please contact Dream On Me before using the product.

Frame with bumper × 1



Canopy × 1



Front wheel × 3



Cup holder × 1



Rear wheel × 3



Opening and Assembling the Stroller

1. Release the folding latch and open unfold the stroller by spreading the handles and legs in opposite directions as shown in Figure 1.
2. Using your foot, lower the metal bar, locking the stroller in the open position as shown in figure 2. lower the metal bar until you hear a click.

WARNING:

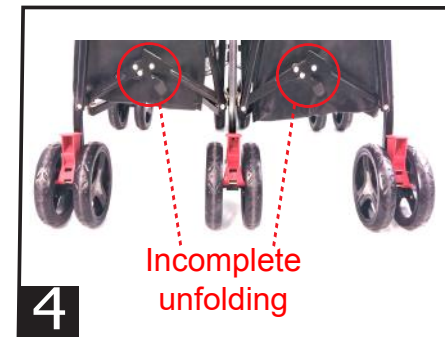
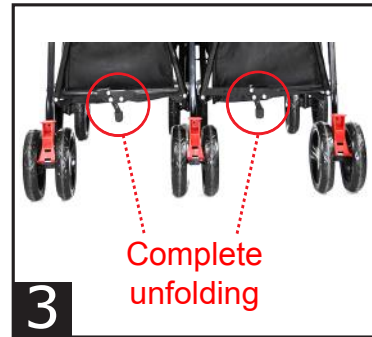
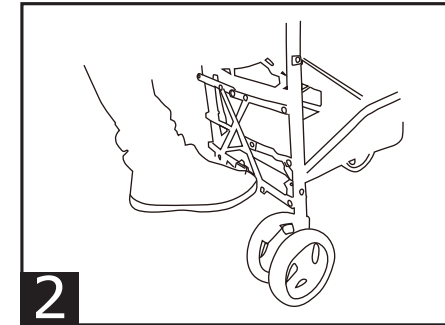
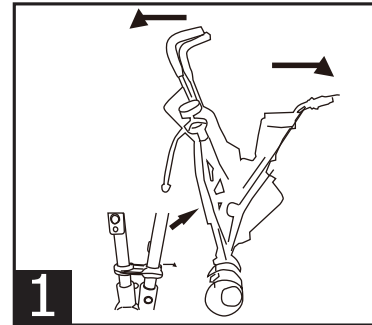
Incomplete unfolding of the stroller may cause the stroller to collapse while in use. Please see Figures 3 and 4 for reference.

3. Press the metal button wheel on the metal peg until you hear a click as shown in Figure 5.

To lock the wheel, press the red lever as shown in Figure 6.

WARNING:

Tug at it to make sure that its on correctly. Incorrect assembly could cause serious injury.



4. Attach the canopy onto the frame as shown in Figure 7.
Slide the clip down the frame until it clicks into place as shown in Figure 8.



5. Attach the cup holder, Figure 9.



Fitting the harness

Avoid serious injury from falling or sliding out.

Always use the harness.

After fastening buckles, adjust the harness to get a snug fit around your child.

To attach the harness

Insert both buckles into the the clasp, see Figure 12.

To undo the harness

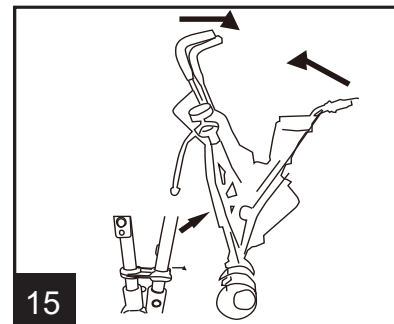
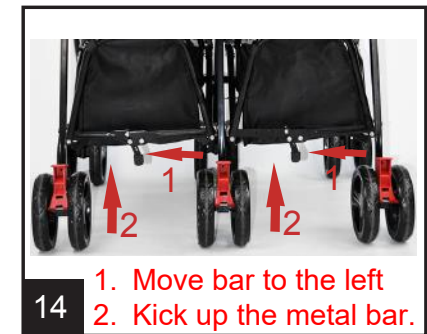
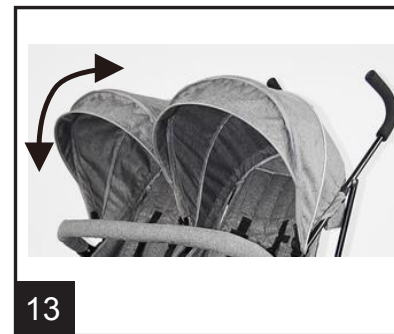
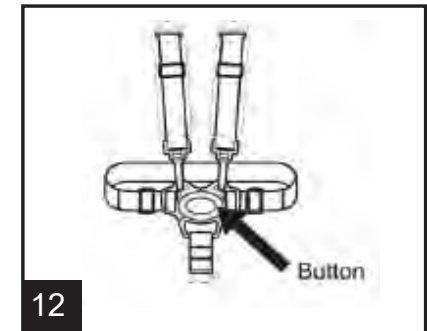
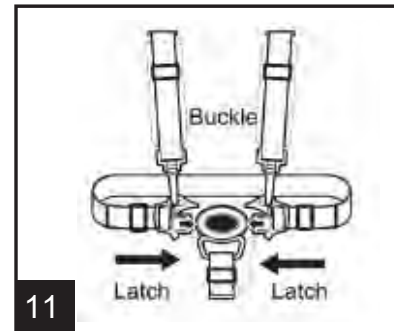
Press the button between the clasps to release the buckles. See Figure 12.

WARNING

- Never leave child unattended.
 - Avoid serious injury from falling or sliding out.
- Always use the harness.

How to fold the stroller

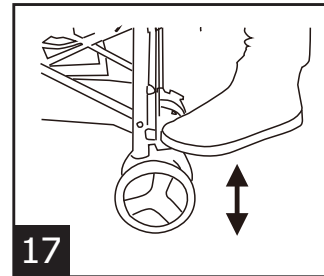
1. Close the canopy, See figure 13.
2. Move the metal lever to the left and kick up the metal bar to unlock the fold. Figure 14.
3. Bring together the front wheels and handles to fold the stroller. Figure 15.
4. Lock the frame with hook on the side of the frame, see Figure 15.



Using the Stroller

Using the Brakes

1. Step down on brakes lever to lock stroller.
2. Lift it up to release. See Figure 17.



Adjusting the Seat

1. Squeeze the buttons and pull to lower backrest. See Figure 18.
2. Squeeze the buttons with one hand, and pull on the other end with the other hand. See Figure 19.



WARNING

Failure to follow these warnings and the assembly instructions could result in serious injury or death.

1. Adult assembly is required. This stroller contains small parts, which are for adult assembly only. Keep small children away while assembling the stroller.
2. Remove protective material and plastic bags and dispose of them before assembling the stroller.
3. Stroller is suitable for children from 6 to 36 months.
4. Ensure that all locking devices are engaged before use. Check that the stroller or seat attachment devices are correctly engaged before use.
5. Avoid serious injury from falling or sliding out. ALWAYS use seat belt. After fastening buckles, adjust belts to get a snug fit around your child.
6. Stroller is for one child only per seat.
7. DO NOT use storage basket to carry children.
8. NEVER lift the stroller by the front bumper.

WARNING

Failure to follow these warnings and the assembly instructions could result in serious injury or death

9. ALWAYS set the brakes when placing child into or removing child from the stroller.
10. Stay clear of child when opening the stroller.
11. DO NOT keep stroller near hot surfaces or electrical fluxes.
12. NEVER leave child unattached while in the stroller.
13. DO NOT allow child to crawl out under or over the front bumper or stand in the stroller.
14. DO NOT lift stroller with child inside.
15. The backrest should be adjusted by an adult.
16. Any accessories which are not approved by Dream On Me shall not be used.
17. DO NOT hang or place items on the stroller handle, canopy or frame.

WARNING

Failure to follow these warnings and the assembly instructions could result in serious injury or death

17. This product is not suitable for running, skating or other similar activities.
18. ALWAYS use the crotch strap in combination with the waist belt when using the harness.
19. Use of the stroller with a child weighing more than 40 lbs (18kgs) on each seat could be unsafe.
20. To prevent a hazardous, unstable condition:
 - DO NOT place more than 11 lbs (5kgs) in basket.
 - DO NOT place more than 1.7 lbs (0.8kgs) in the parent tray or cup holder.
21. To prevent the chance of serious burns NEVER place hot liquids in front of tray or in the cup holder.
22. Follow the washing instructions on the seat pad.

Dream On Me Inc.
1532 S Washington Ave, Piscataway TWP, NJ 08854
TEL 732-752-7220 FAX 732-752-7221
MADE IN NANYANG, HENAN, CHINA.