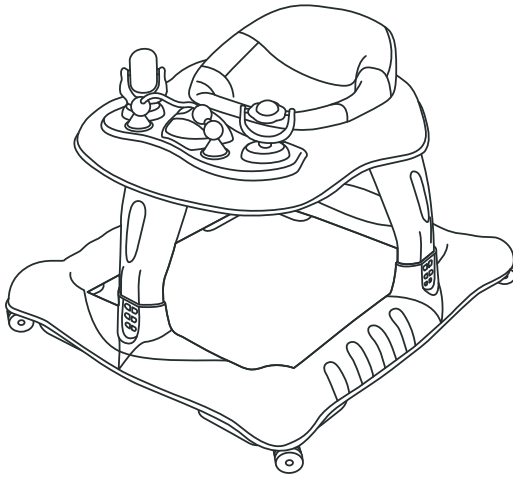


ASTM EN1273 BABY WALKER

INSTRUCTION MANUAL

WARNING:

PLEASE READ THESE INSTRUCTIONS CAREFULLY BEFORE USE AND RETAIN THEM IN A SAFE PLACE FOR FUTURE REFERENCE. READ ALL INSTRUCTIONS BEFORE ASSEMBLY AND USE OF THE WALKER. KEEP INSTRUCTIONS FOR FUTURE USE. THE CHILD MAY BE HURT IF YOU DO NOT FOLLOW THESE INSTRUCTIONS.



WARNING:

READ THE INSTRUCTIONS CAREFULLY BEFORE USE AND KEEP THEM FOR FUTURE REFERENCE. THE CHILD MAY GET HURT IF YOU DO NOT FOLLOW THESE INSTRUCTIONS.

NEVER LEAVE THE CHILD UNATTENDED. ALWAYS KEEP CHILD IN VIEW WHILE IN WALKER.

THE CHILD WILL BE ABLE TO REACH FURTHER AND MOVE RAPIDLY WHEN IN THE BABY WALKER.

- PREVENT ACCESS TO STAIRS, STEPS AND UNEVEN SURFACES.
- GUARD ALL FIRES, HEATING AND COOKING APPLIANCES.
- REMOVE HOT LIQUIDS, ELECTRICAL FLEXES AND OTHER POTENTIAL HAZARDS FROM REACH.
- PREVENT COLLISIONS WITH GLASS IN DOORS, WINDOWS AND FURNITURE.
- DO NOT USE THE BABY WALKER IF ANY COMPONENTS ARE BROKEN OR MISSING.
- THIS BABY WALKER SHOULD BE USED ONLY FOR SHORT PERIODS OF TIME (E.G. 20 MIN).
- THIS BABY WALKER IS INTENDED TO BE USED BY CHILDREN WHO CAN SIT UNAIDED, APPROXIMATELY FROM 6 MONTHS TO 12 MONTHS. IT IS NOT INTENDED FOR CHILDREN WEIGHING MORE THAN 26 LBS.
- DO NOT USE REPLACEMENT PARTS OTHER THAN THOSE APPROVED BY DREAM ON ME.
- USE ONLY ON FLAT SURFACES FREE OF OBJECTS THAT COULD CAUSE THE WALKER TO TIP OVER.
- DO NOT USE THE WALKER IF IT IS DAMAGED OR BROKEN.
- DO NOT USE UNTIL BABY CAN SIT UP BY ITSELF.
- CLEAN FRICTION COMPONENTS REGULARLY TO MAINTAIN STOPPING PERFORMANCE.
- TO AVOID BURNS, KEEP THE CHILD AWAY FROM HOT LIQUIDS, RANGES, RADIATORS, SPACE HEATERS, FIREPLACES, ETC.
- THE BABY WALKER IS INTENDED TO BE ASSEMBLED BY AN ADULT.

WARNING - STAIR HAZARD

AVOID SERIOUS INJURY OR DEATH - BLOCK STAIRS/STEPS SECURELY BEFORE USING WALKER EVEN WHEN USING PARKING BRAKE.

- NON-RECHARGEABLE BATTERIES ARE NOT TO BE RECHARGED.
- DIFFERENT TYPES OF BATTERIES OR NEW AND USED BATTERIES ARE NOT TO BE MIXED.
- EXHAUSTED BATTERIES ARE TO BE REMOVED FROM THE TOY.
- THE SUPPLY TERMINALS ARE NOT TO BE SHORT-CIRCUITED.
- ONLY BATTERIES OF THE SAME OR EQUIVALENT TYPE AS RECOMMENDED ARE TO BE USED.
- BATTERIES ARE TO BE INSERTED WITH THE CORRECT POLARITY.
- RECHARGEABLE BATTERIES ARE TO BE REMOVED FROM THE TOY BEFORE BEING CHARGED.
- IF USING RECHARGEABLE BATTERIES, THE BATTERIES ARE ONLY TO BE CHARGED UNDER ADULT SUPERVISION.

CARE AND MAINTENANCE

1) TO PROLONG THE LIFE OF YOUR NURSERY PRODUCT KEEP IT CLEAN AND DO NOT LEAVE IT IN THE DIRECT SUNLIGHT FOR EXTENDED PERIODS OF TIME.

2) REMOVABLE FABRIC COVERS AND PLASTIC PARTS MAY BE CLEANED USING WARM WATER WITH A HOUSEHOLD SOAP OR A MILD DETERGENT. ALLOW IT TO DRY FULLY, PREFERABLY AWAY FROM DIRECT SUNLIGHT.

3) CLEAN (FRICTION COMPONENTS) REGULARLY TO MAINTAIN STOPPING PERFORMANCE.

HELPFUL HINTS

IF THE WHEELS SQUEAK - USE A SILICON BASED SPRAY ENSURING IT PENETRATES THE WHEEL AND AXLE ASSEMBLY. DO NOT DRY CLEAN, OR USE BLEACH.

DO NOT MACHINE WASH, TUMBLE OR SPIN DRY, UNLESS THE CARE LABELLING ON THE PRODUCT PERMITS THESE METHODS.

NON REMOVABLE FABRIC COVERS AND TRIMS MAY BE CLEANED USING A DAMP SPONGE WITH SOAP OR MILD DETERGENT.

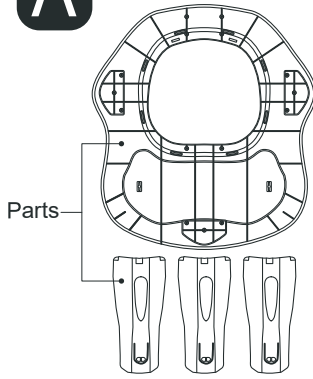
ALLOW IT TO DRY COMPLETELY BEFORE FOLDING OR STORING IT AWAY.

IN SOME CLIMATES THE COVERS AND TRIMS MAY BE AFFECTED BY MOULD AND MILDEW. TO HELP PREVENT THIS OCCURRING, DO NOT FOLD OR STORE THE PRODUCT IF IT IS DAMP OR WET. ALWAYS STORE THE PRODUCT IN A WELL VENTILATED AREA.

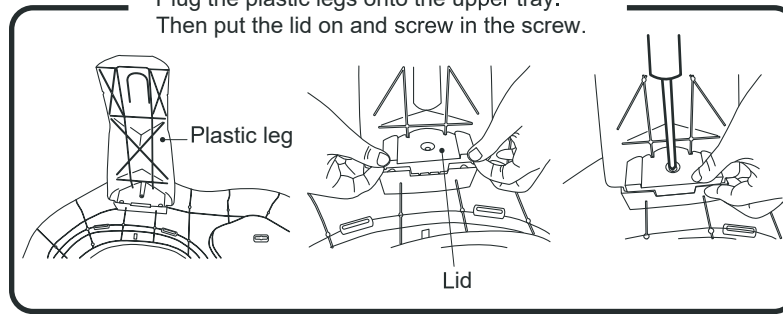
ALWAYS CHECK PARTS REGULARLY FOR TIGHTNESS OF SCREWS, NUTS AND OTHER FASTENERS - TIGHTEN IF REQUIRED. TO MAINTAIN THE SAFETY OF YOUR NURSERY PRODUCT, SEEK PROMPT REPAIRS FOR BENT, TORN, WORN OR BROKEN PARTS.

A

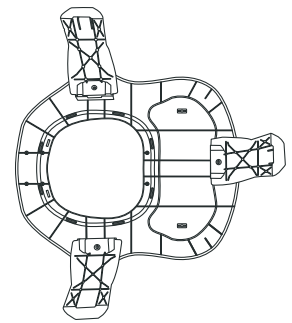
Take out parts from poly bags.



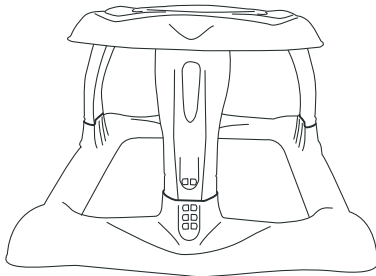
Plug the plastic legs onto the upper tray. Then put the lid on and screw in the screw.



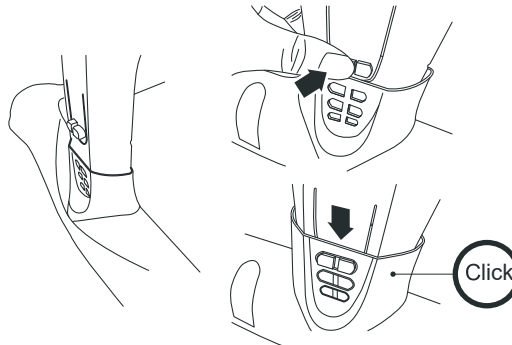
Repeat the process until the three plastic legs are completely fixed.

**B**

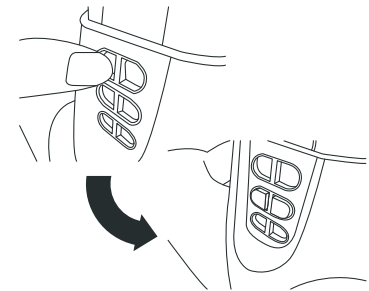
Place the walker faced up as shown here:



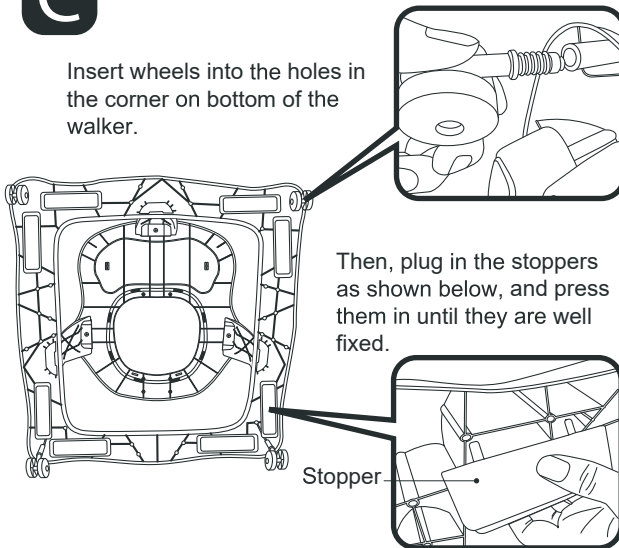
To adjust the height, use your thumb to press the button shown below until you hear a "click" sound.



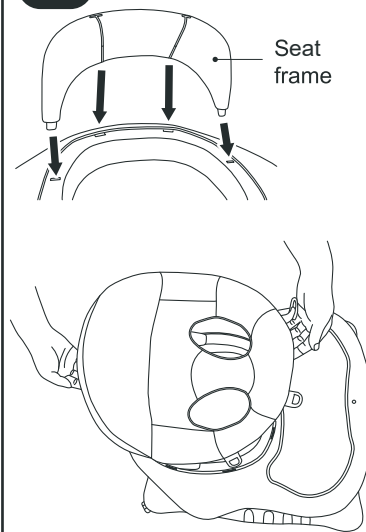
Repeat the process for the other legs to adjust the height.

**C**

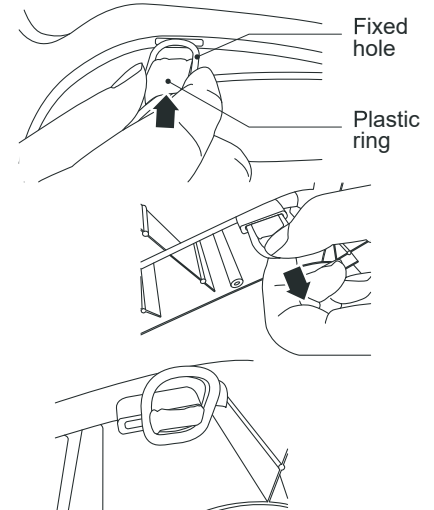
Insert wheels into the holes in the corner on bottom of the walker.

**D**

Connect the seat frame to the seat



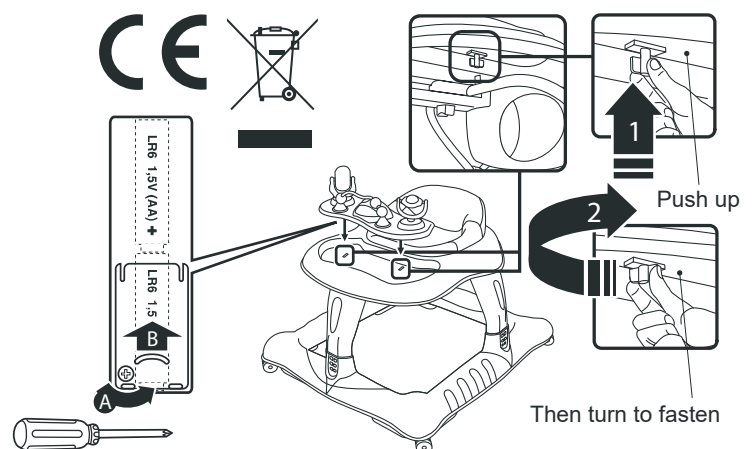
Insert plastic rings in the fixed holes. Then, pull down to get them through completely.

**E**

Place the toy tray on the upper tray, then use the tray lock to connect the toy tray

Battery not supplied

CAUTION! Non-rechargeable batteries are not to be recharged. Rechargeable batteries are to be removed from the toy before being charged. Rechargeable batteries are only to be charged under adult supervision. Different types of batteries or new and used batteries are not to be mixed. Batteries are to be inserted with the correct polarity. Exhausted batteries are to be removed from the toy. The supply terminals are not to be short-circuited. Please follow the instructions to remove and insert the batteries.

**WARNING:**

- NEVER LEAVE THE CHILD UNATTENDED.
- NOT INTENDED FOR CHILDREN ABLE TO WALK.
- NOT SUITABLE FOR CHILDREN WHO ARE UNABLE TO SIT UP UNAIDED.
- NOT APPROPRIATE FOR CHILDREN WEIGHING OVER 26 LBS.
- SUITABLE FOR CHILD BETWEEN 6-36 MONTHS.



1532, S. Washington Avenue
Piscataway, NJ 08854
E-mail: info@dreamonme.com

www.dreamonme.com

Follow us on



[@dreamonmeinc](https://www.facebook.com/dreamonmeinc)



[@dreamonmeinc](https://www.instagram.com/dreamonmeinc)

to get your nursery featured on our social media.

Enter our monthly giveaway!

Simply scan the QRcode to register.



Chat with us!

For any questions or concerns or feedback.



DOM
FAMILY

