



#364 **CONVERTIBLE RIDER** **CANOPY - Instruction Manual**



Suitable only for Dream On Me #365 Rider

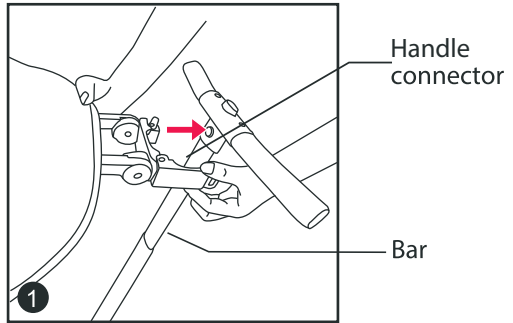
IMPORTANT

BEFORE ASSEMBLING THIS CANOPY, PLEASE READ AND UNDERSTAND THESE INSTRUCTIONS. INCORRECT ASSEMBLY MAY CAUSE THE RIDER TO BE UNSAFE. DO NOT USE THIS CANOPY IF ANY PARTS ARE BROKEN, TORN OR MISSING.

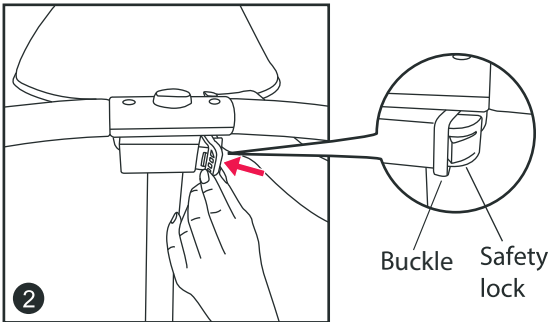
RETAIN FOR FUTURE REFERENCE - READ CAREFULLY

ASSEMBLY

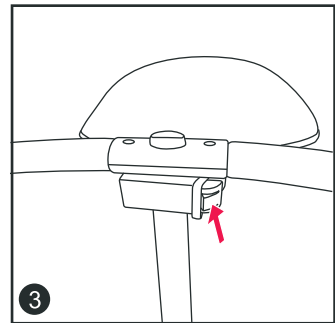
1. Attach the holder to the bar. The cylinder on the bar should be aligned with the hole in the bracket, as shown in Fig 1.



2. Firmly fasten the buckle to the left until the safety lock is completely ejected, as shown in Fig 2. Make sure that the canopy is in place by tugging on it.

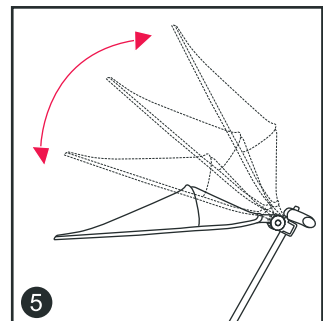
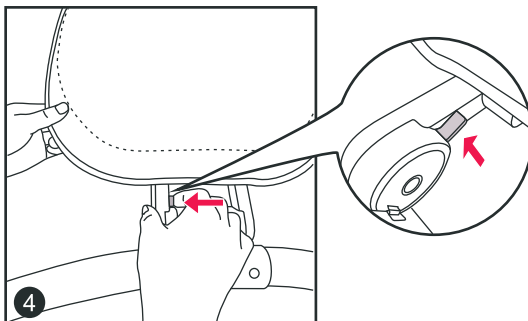


3. When disassembling the canopy, press the safety lock indicated by the arrow in Fig 3 and open the buckle.



ANGLE ADJUSTMENT

Press in the button in the center of the holder of the canopy to adjust the canopy to different angles (as shown in Fig 4 and 5).





1532, S. Washington Avenue
Piscataway, NJ 08854
E-mail: info@dreamonme.com

www.dreamonme.com

Follow us on



[@dreamonmeinc](https://www.facebook.com/dreamonmeinc)



[@dreamonmeinc](https://www.instagram.com/dreamonmeinc)

to get your nursery featured on our social media.

Enter our monthly giveaway!

Simply scan the QRcode to register.



Chat with us!

For any questions or concerns or feedback.



DOM
FAMILY

